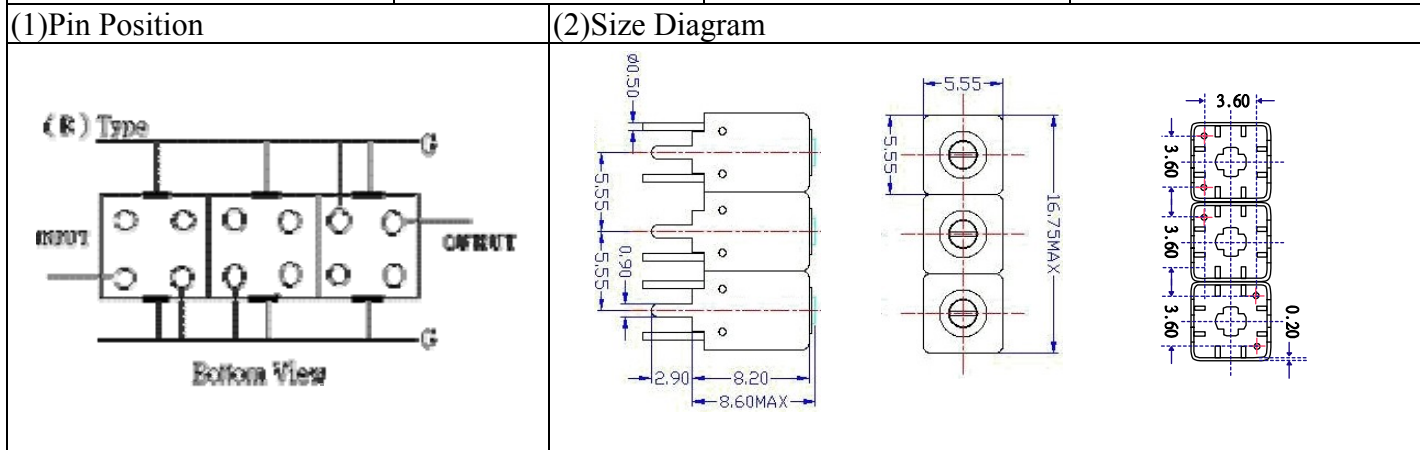
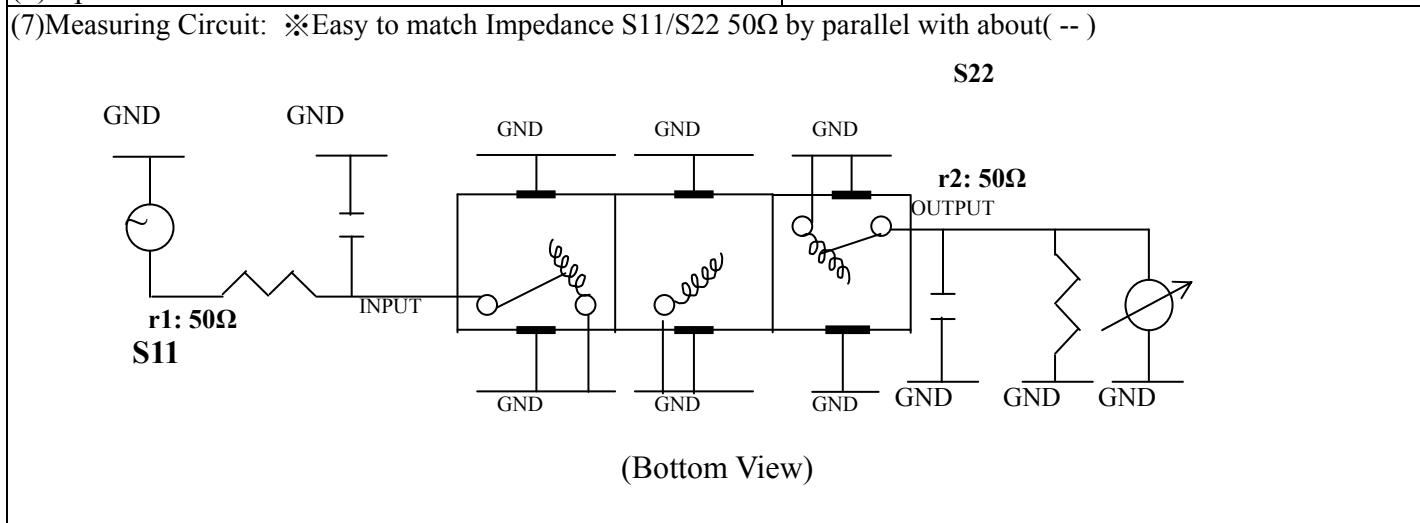


VHF UHF Helical Filter Specification Sheet

Customer Name		Temwell's Part No.	TTW3530B-1842.5M
Approval No. /dated	201407085CD	Temwell's Print Name.	3530B 1842.5M
Work Instruction No.	201407085CD	Date	Nov.19.2014



(3) Electric Character					
Item		Specify		Performance	
Center Freq.(Fo) +/- 0.5 %		1842.5 MHz		1842.5 MHz	
Insertion Loss		Typ. 2.5 dB		1.83 dB	
-3 dB Bandwidth		Typ. 80 MHz		94.3 MHz	
Sensitivity (Attenuation)	Fo - 150 MHz	Typ. 30 dBc		35 dBc	
	Fo + 150 MHz	Typ. 18 dBc		23 dBc	
	Fo - ()MHz	Typ. dBc		dBc	
	Fo + ()MHz	Typ. dBc		dBc	
Return Loss		Min. 12 dB		20.2 dB	
Ripple		< 1 dB		dB	
Impedance		In / Out : 50 Ω		In / Out : 50 Ω	
(4) Torque for Tuning Screw		> 60gf · cm			
(5) Temperature Condition:					
Operating Temperature		0°C ~ +60°C			
Storage Temperature		-20°C ~ +70°C			
(6) Input Power		> 0.5Watt			



Approval	Supervisor	Designer	Aperture size
C.Y.Chang	C.K.Chang	C.S.Chang	5W3S(3.8*5.1)(5.14) 5HW046RB3.2

TEMWELL CORPORATION

Performance-TTW3530B-1842.5M

201407085CD

Tr1 S11 Log Mag 5.000dB/ Ref 0.000dB [F2]
Tr2 S21 Log Mag 10.00dB/ Ref 0.000dB [F2]

