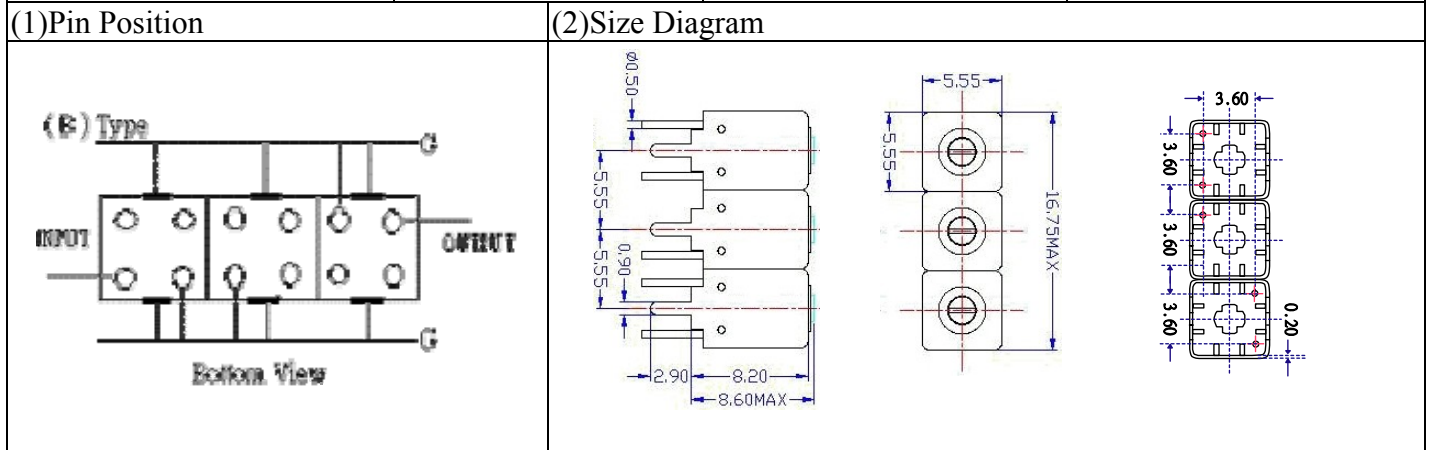
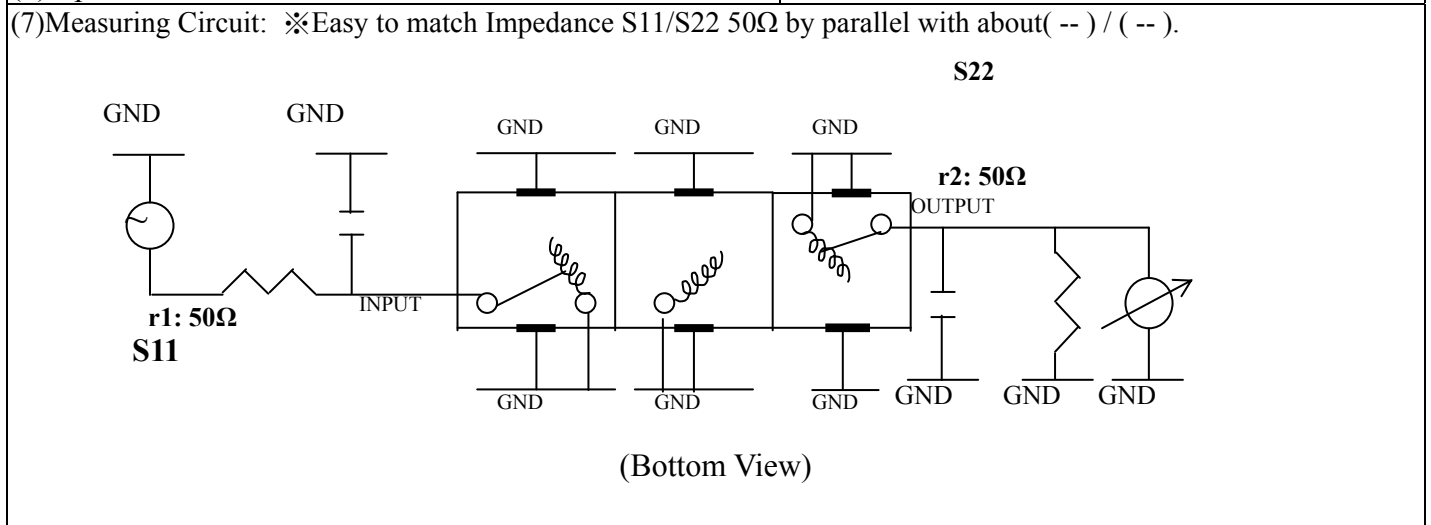


VHF UHF Helical Filter Specification Sheet

Customer Name		Temwell's Part No.	TTW3528B-1747.5M
Approval No. /dated	201407045CD	Temwell's Print Name.	3528B 1747.5M
Work Instruction No.	201407045CD	Date	Jul.11.2014



(3) Electric Character					
Item		Specify		Performance	
Center Freq.(Fo) +/- 0.5 %		1747.5 MHz		1747.5 MHz	
Insertion Loss		Typ. 2.5 dB		1.80 dB	
-3 dB Bandwidth		Typ. 75 MHz		88.2 MHz	
Sensitivity (Attenuation)	Fo - 150 MHz	Typ. 32 dBc		37 dBc	
	Fo + 150 MHz	Typ. 20 dBc		24 dBc	
	Fo - ()MHz	Typ. dBc		dBc	
	Fo + ()MHz	Typ. dBc		dBc	
Return Loss		Min. 12 dB		24.4 dB	
Ripple		< 1 dB		dB	
Impedance		In / Out : 50 Ω		In / Out : 50 Ω	
(4) Torque for Tuning Screw		> 60gf · cm			
(5) Temperature Condition:					
Operating Temperature		0°C ~ +60°C			
Storage Temperature		-20°C ~ +70°C			
(6) Input Power		> 0.5Watt			



Approval	Supervisor	Designer	Aperture size
C.Y.Chang	C.K.Chang	F.L.Lai	5W3S(3.8*5.1)(5.18) 5HW046RB3.2

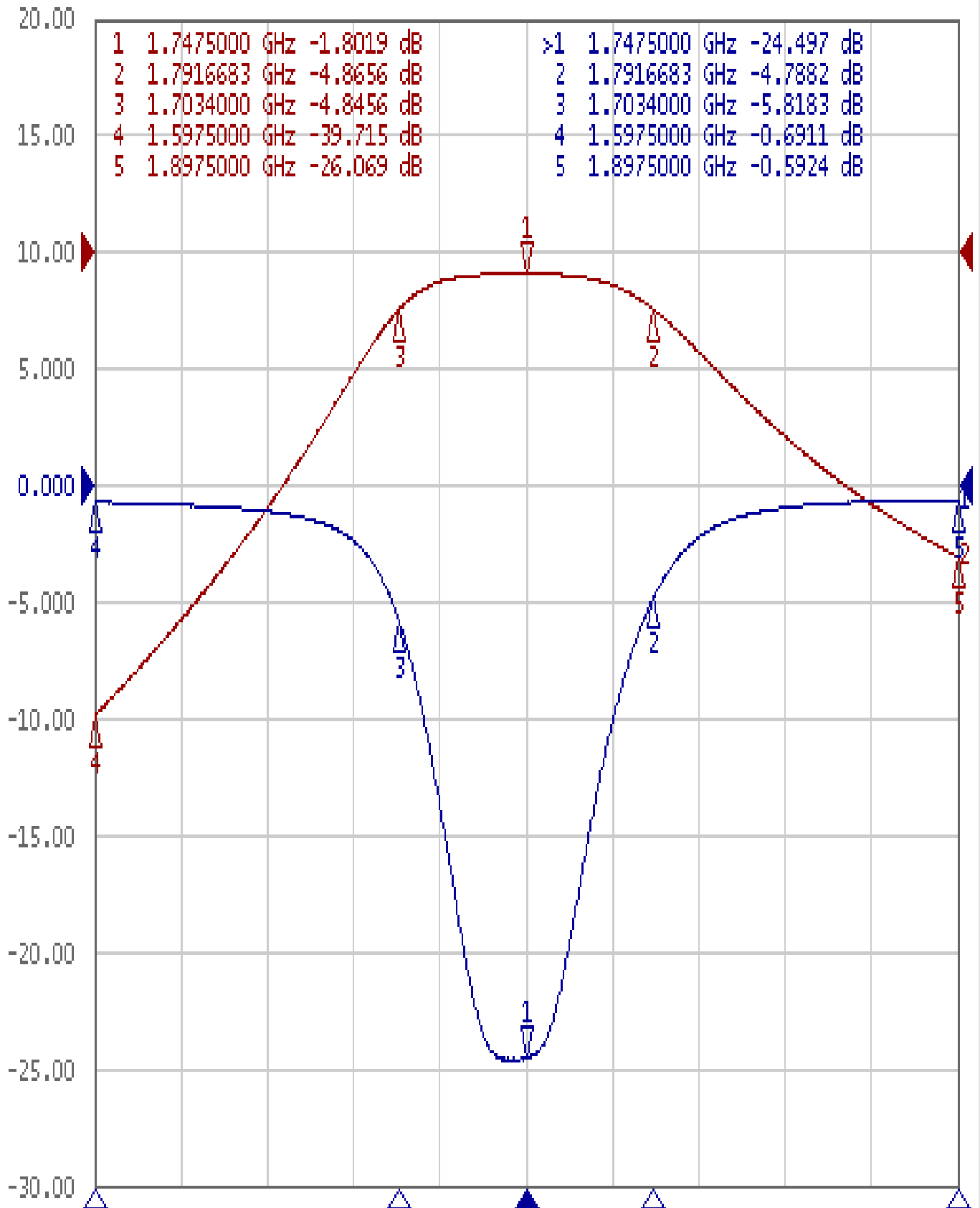
TEMWELL CORPORATION

Performance-TTW3528B-1747.5M

201407045CD

Tr1 S11 Log Mag 5.000dB/ Ref 0.000dB [F2]

Tr2 S21 Log Mag 10.000dB/ Ref 0.000dB [F2]



1 Center 1.7475 GHz

IFBW 10 kHz

Span 300 MHz Cor !