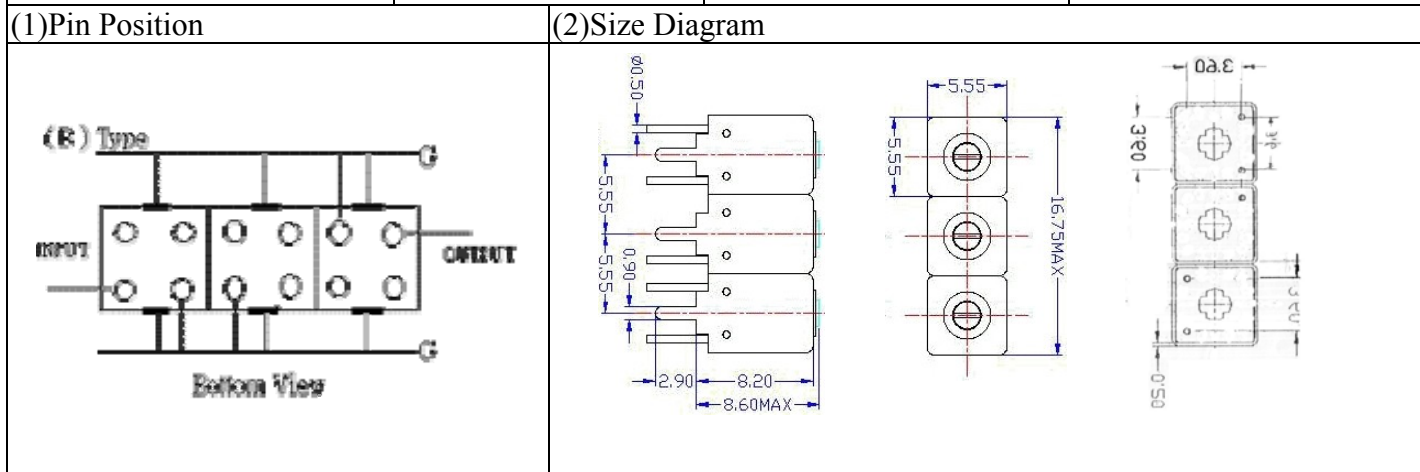


VHF UHF Helical Filter Specification Sheet

Customer Name		Temwell's Part No.	TTW3527F-1747.5M
Approval No. /dated	201407044CD	Temwell's Print Name.	3527F 1747.5M
Work Instruction No.	201407044CD	Date	Jul.10.2014



(3) Electric Character

Item	Specify	Performance
Center Freq.(Fo) +/- 0.5 %	1747.5 MHz	1747.5 MHz
Insertion Loss	Typ. 2.5 dB	1.85 dB
-3 dB Bandwidth	Typ. 66 MHz	80.5 MHz
Sensitivity (Attenuation)	Fo - 200 MHz	Typ. 31 dBc
	Fo + 200 MHz	Typ. 53 dBc
	Fo - ()MHz	Typ. dBc
	Fo + ()MHz	Typ. dBc
Return Loss	Min. 12 dB	38.0 dB
Ripple	< 1 dB	
Impedance	In / Out : 50 Ω	In / Out : 50 Ω
(4) Torque for Tuning Screw	> 100gf · cm	

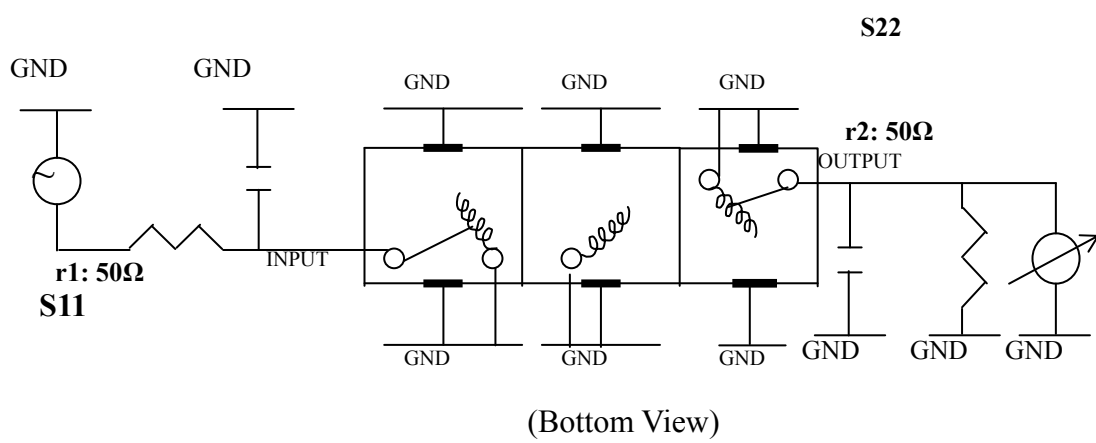
(5) Temperature Condition:

Operating Temperature	0°C ~ +60°C
Storage Temperature	-20°C ~ +70°C

(6) Input Power

> 0.5Watt

(7) Measuring Circuit: ※Easy to match Impedance S11/S22 50Ω by parallel with about(--) / (--).



Approval	Supervisor	Designer	Aperture size
C.Y.Chang	C.K.Chang	F.L.Lai	5W3S(3.8*4.5)(4.59) 5HW046RB3.2(J1)

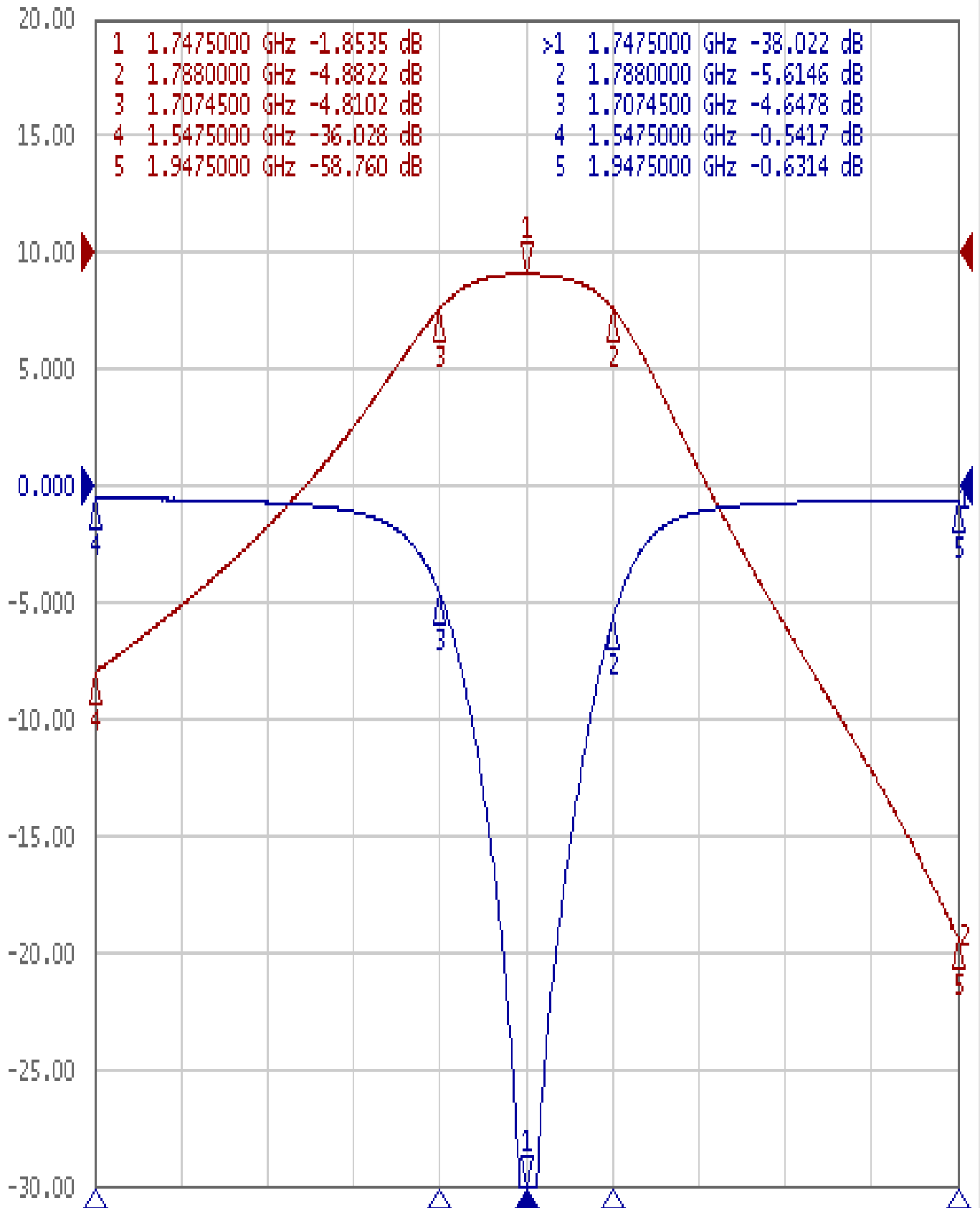
TEMWELL CORPORATION

Performance-TTW3527F-1747.5M

201407044CD

Tr1 S11 Log Mag 5.000dB/ Ref 0.000dB [F2]

Tr2 S21 Log Mag 10.000dB/ Ref 0.000dB [F2]



1 Center 1.7475 GHz

IFBW 10 kHz

Span 400 MHz Cor !