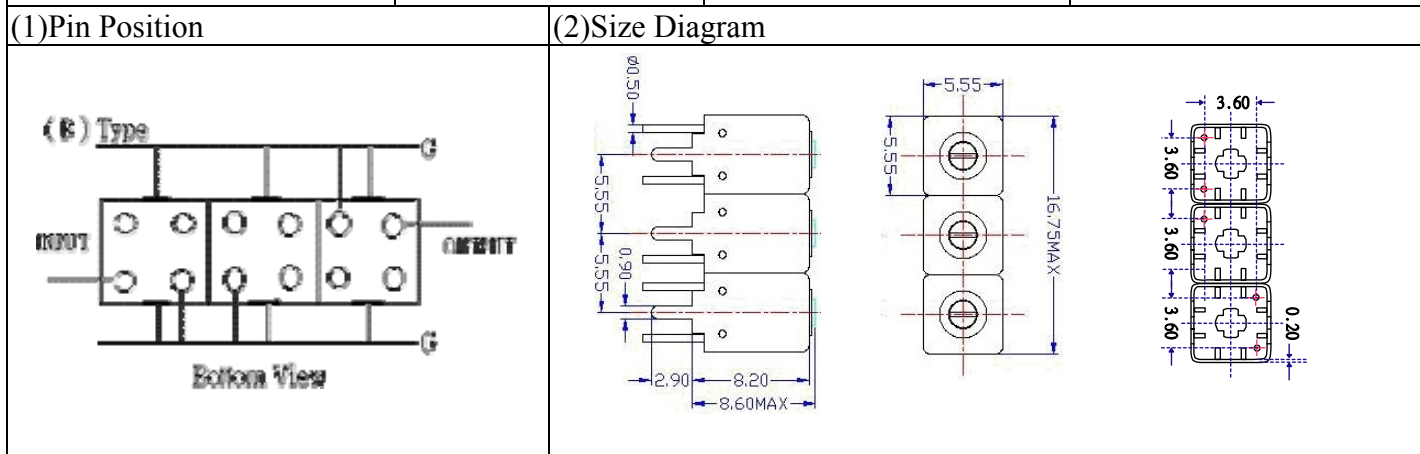
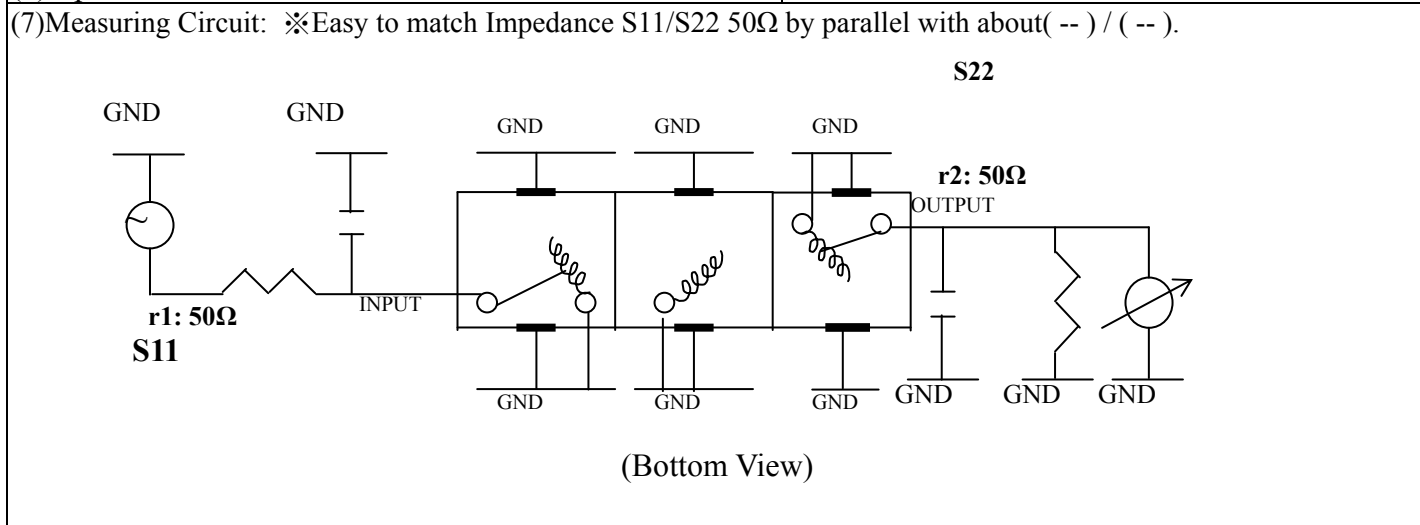


VHF UHF Helical Filter Specification Sheet

Customer Name		Temwell's Part No.	TTW3525B-2437M
Approval No. /dated	201407046CD	Temwell's Print Name.	3525B 2437M
Work Instruction No.	201407046CD	Date	Oct.14.2014



(3) Electric Character			
Item	Specify	Performance	
Center Freq.(Fo) +/- 0.5 %	2437 MHz	2437 MHz	
Insertion Loss	Typ. 3.5 dB	2.64 dB	
-3 dB Bandwidth	Typ. 67 MHz	81.4 MHz	
Sensitivity (Attenuation)	Fo - 200 MHz	Typ. 33 dBc	38 dBc
	Fo + 200 MHz	Typ. 25 dBc	30 dBc
	Fo - ()MHz	Typ. dBc	dBc
	Fo + ()MHz	Typ. dBc	dBc
Return Loss	Min. 12 dB	25.7 dB	
Ripple	< 1 dB	dB	
Impedance	In / Out : 50 Ω	In / Out : 50 Ω	
(4) Torque for Tuning Screw			
		> 60gf · cm	
(5) Temperature Condition:			
Operating Temperature		0°C ~ +60°C	
Storage Temperature		-20°C ~ +70°C	
(6) Input Power		> 0.5Watt	



Approval C.Y.Chang	Supervisor C.K.Chang	Designer F.L.Lai	Aperture size 5W3S(3.8*3.5)(3.58) 5HW046RB3.2 (J1)
-----------------------	-------------------------	---------------------	--

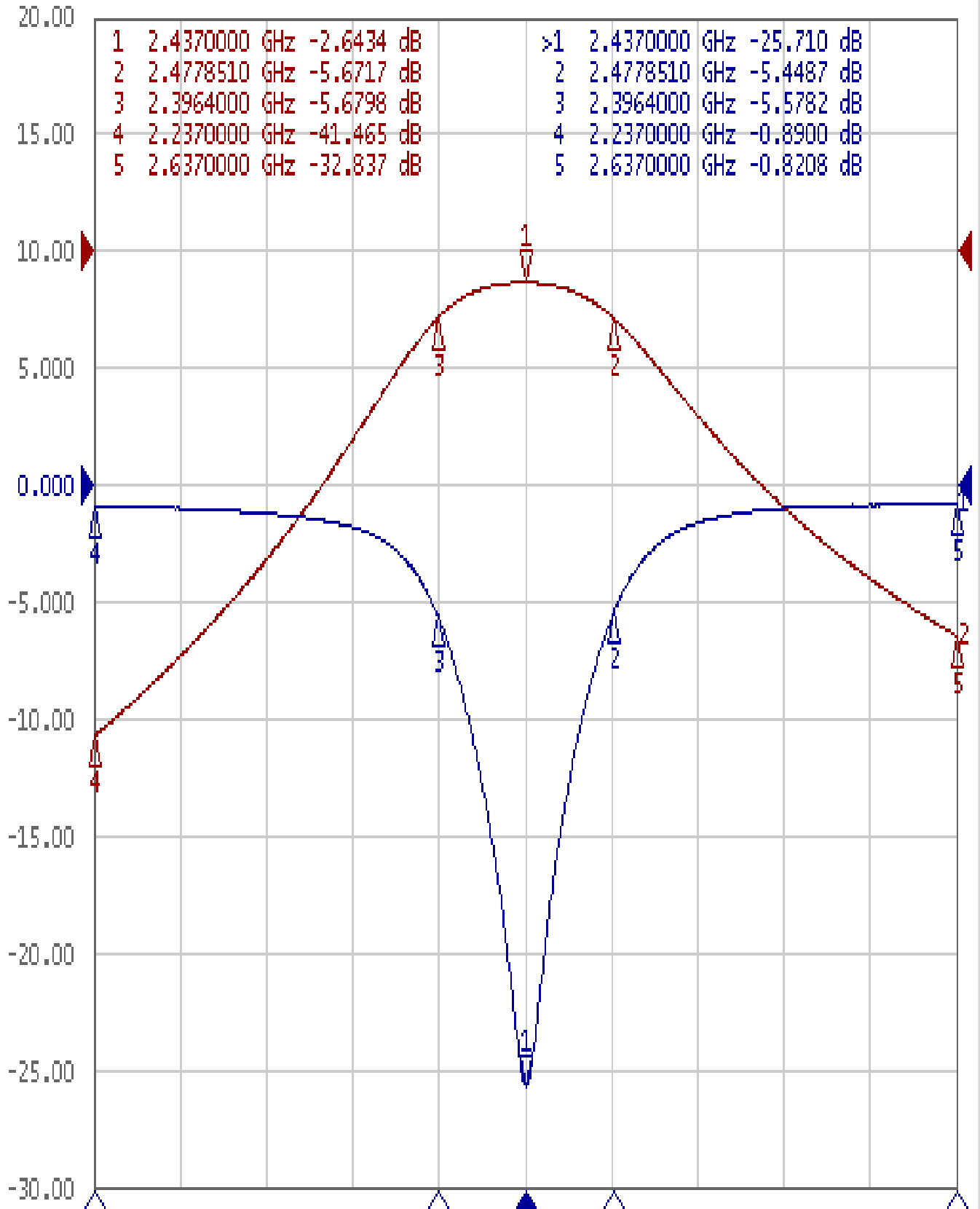
TEMWELL CORPORATION

Performance-TTW3525B-2437M

201407046CD

Tr1 S11 Log Mag 5.000dB/ Ref 0.000dB [F2]

Tr2 S21 Log Mag 10.00dB/ Ref 0.000dB [F2]



1 Center 2.437 GHz

IFBW 10 kHz

Span 400 MHz Cor !