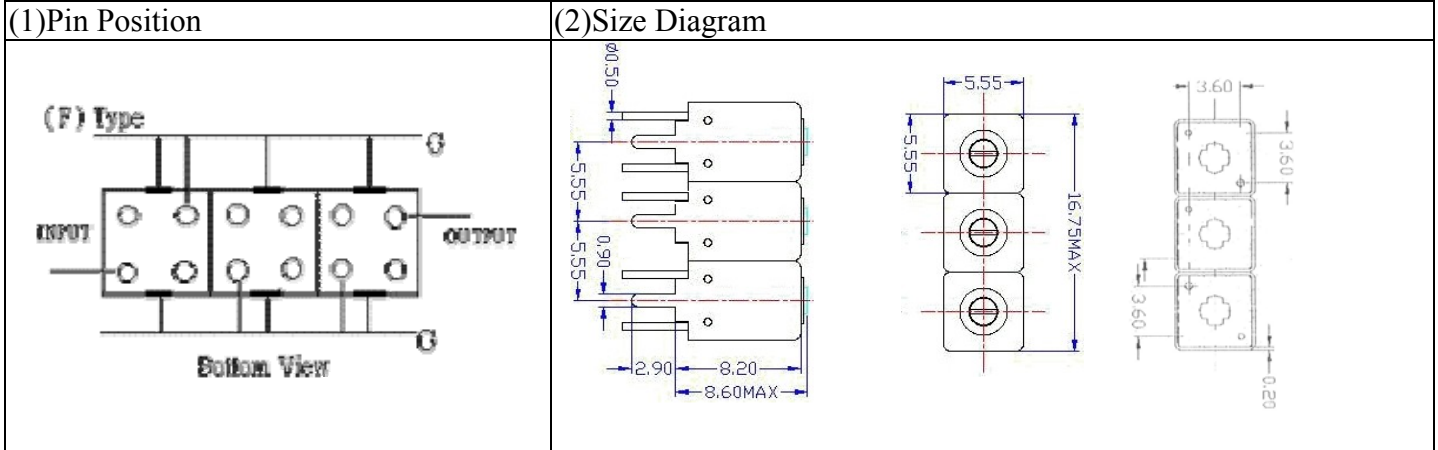


# VHF UHF Helical Filter Specification Sheet

Customer Name		Temwell's Part No.	TTW3524F-2140M
Approval No. /dated	201407065CD	Temwell's Print Name.	3524F 2140M
Work Instruction No.	201407065CD	Date	Jul.14.2014



(3) Electric Characteristic

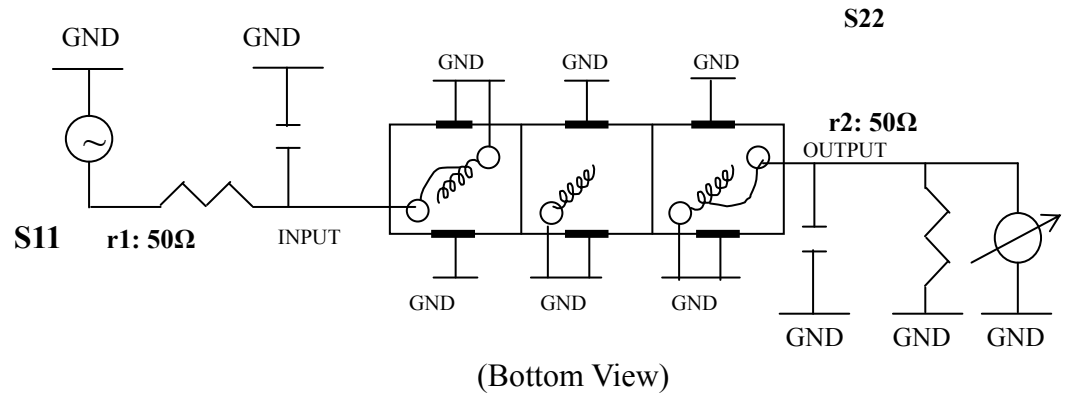
Item	Specify	Performance	
Center Freq.(Fo) +/- 0.5 %	2140 MHz	2140 MHz	
Insertion Loss	Typ. 3.0 dB	2.36 dB	
-3 dB Bandwidth	Typ. 58 MHz	76.0 MHz	
Sensitivity (Attenuation)	Fo - 200 MHz	Typ. 24 dBc	29 dBc
	Fo + 200 MHz	Typ. 37 dBc	42 dBc
	Fo - ( )MHz	Typ. dBc	dBc
	Fo + ( )MHz	Typ. dBc	dBc
Return Loss	Min 12 dB	16.2 dB	
Ripple	< 1 dB	dB	
Impedance	In / Out : 50 Ω	In / Out : 50 Ω	
(4) Torque for Tuning Screw	> 60gf · cm		

(5) Temperature Condition:

Operating Temperature	0°C ~ +60°C
Storage Temperature	-20°C ~ +70°C

(6) Input Power > 0.5Watt

(7) Measuring Circuit: ※Easy to match Impedance S11/S22 50Ω by parallel with about(--).



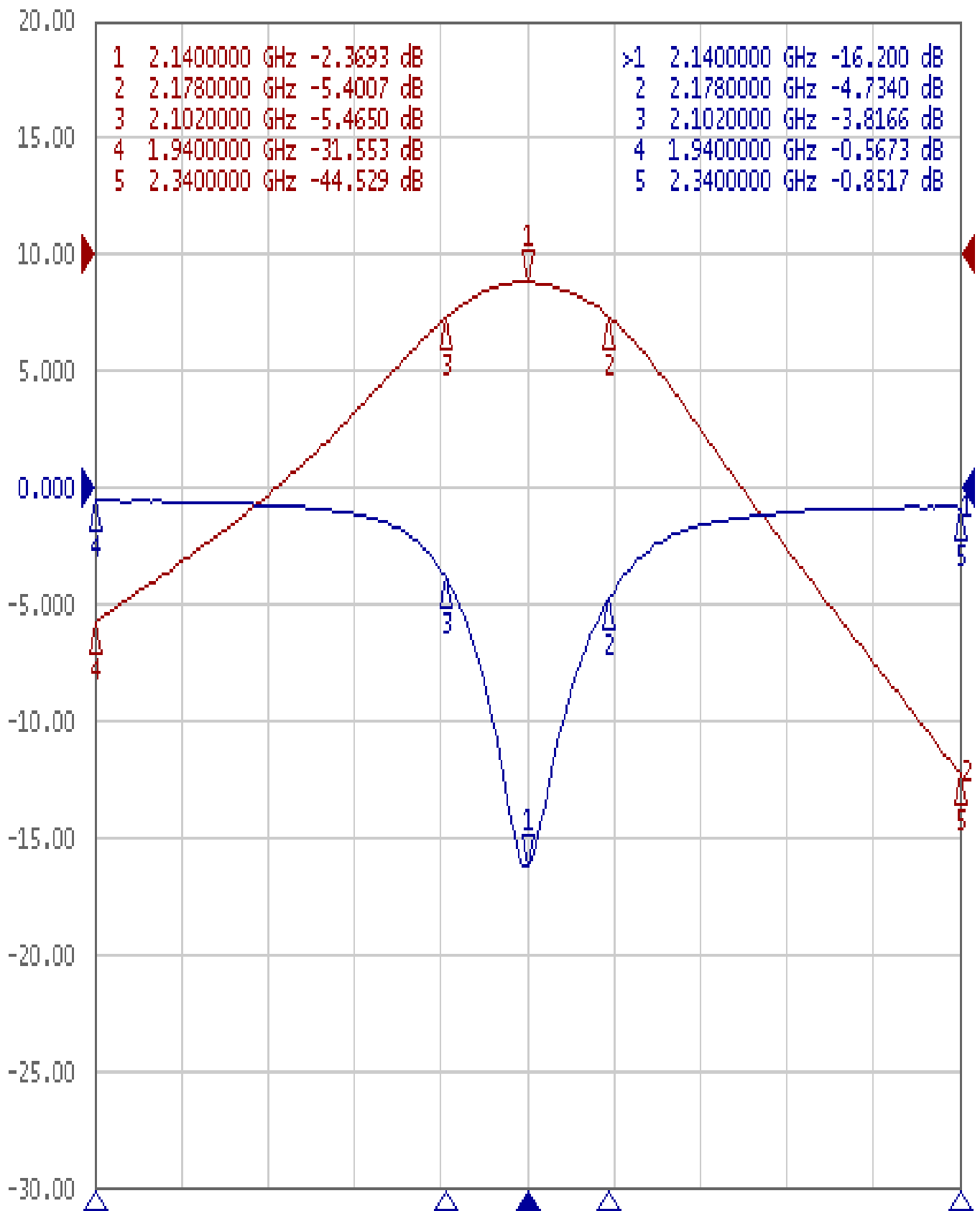
Approval C.Y.Chang	Supervisor C.K.Chang	Designer W.W.Wang	Aperture size 5W3S(3.8*4.0)(4.05) 5HW046RB3.2/J1
-----------------------	-------------------------	----------------------	--

TEMWELL CORPORATION

# Performance-TTW3524F-2140M

## 201407065CD

Tr1 S11 Log Mag 5.000dB/ Ref 0.000dB [F2]  
Tr2 S21 Log Mag 10.000dB/ Ref 0.000dB [F2]



1 Center 2.14 GHz

IFBW 70 kHz

Span 400 MHz Cor !