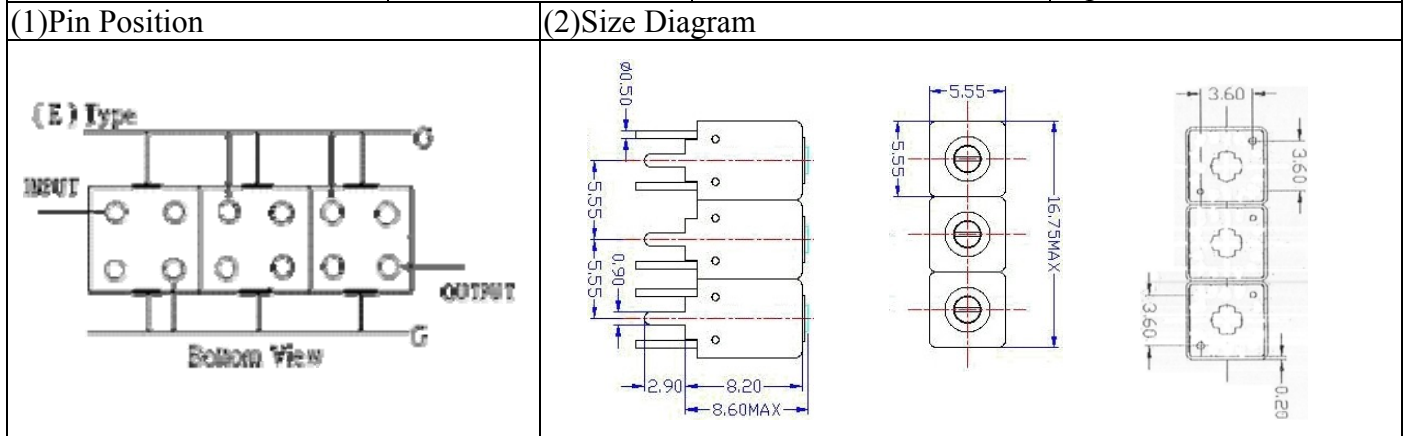
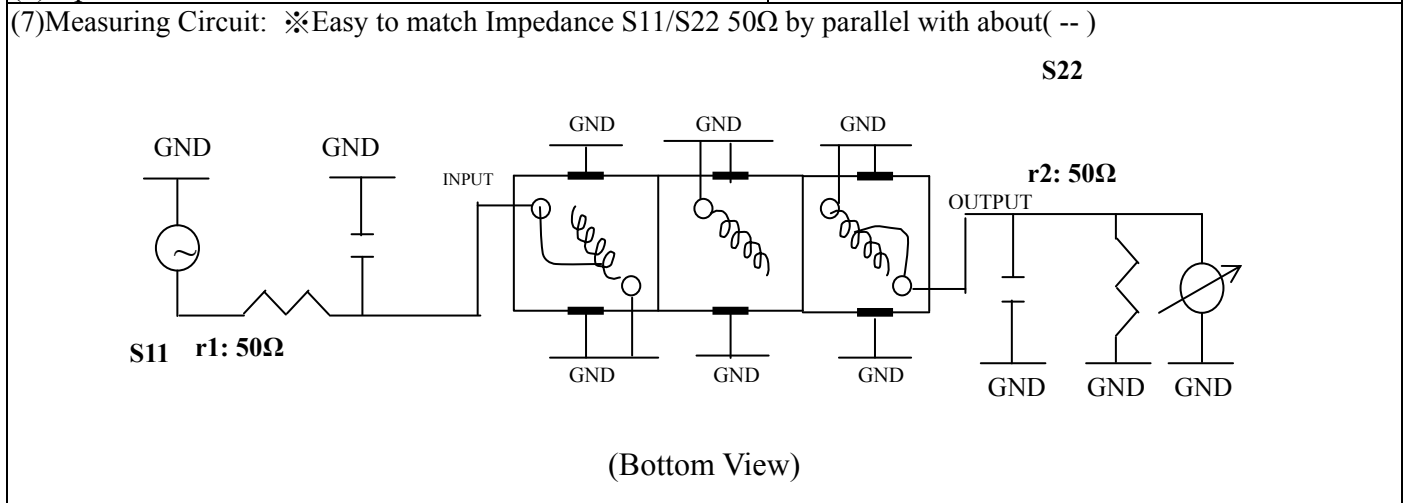


VHF UHF Helical Filter Specification Sheet

Customer Name		Temwell's Part No.	TTW3524E-2140M
Approval No. /dated	201407066CD	Temwell's Print Name.	3524E 2140M
Work Instruction No.	201407066CD	Date	Sep.12.2014



(3) Electric Character			
Item	Specify	Performance	
Center Freq.(Fo) +/- 0.5 %	2140 MHz	2140	MHz
Insertion Loss	Typ. 3.5 dB	2.20	dB
-3 dB Bandwidth	Typ. 73 MHz	85.8	MHz
Sensitivity (Attenuation)	Fo - 200 MHz	Typ. 35	dBc
	Fo +200 MHz	Typ. 23	dBc
	Fo - ()MHz	Typ.	dBc
	Fo +()MHz	Typ.	dBc
Return Loss	Min. 12 dB	33.1	dB
Ripple	< 1 dB		dB
Impedance	In / Out : 50 Ω	In / Out : 50 Ω	
(4) Torque for Tuning Screw			
> 60gf • cm			
(5) Temperature Condition:			
Operating Temperature	0°C ~ +60°C		
Storage Temperature	-20°C ~ +70°C		
(6) Input Power			
> 0.5Watt			



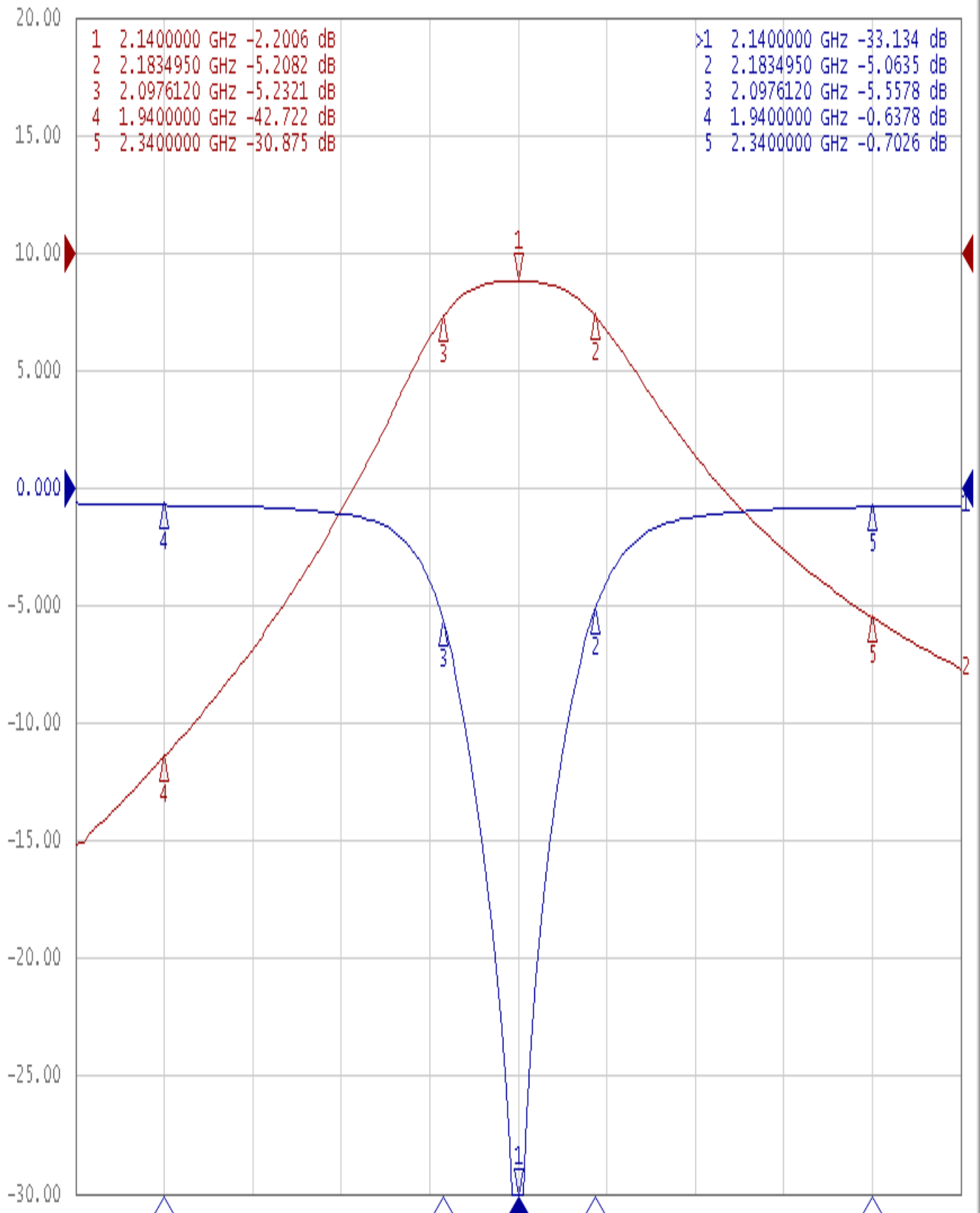
Approval C.Y.Chang	Supervisor C.K.Chang	Designer C.S.Chang	Aperture size 5W3S(3.8*4.5)(4.58) J-1 5HW046RB3.2
-----------------------	-------------------------	-----------------------	---

TEMWELL CORPORATION

Performance-TTW3524E-2140M

201407066CD

Tr1 S11 Log Mag 5.000dB/ Ref 0.000dB [F2]
Tr2 S21 Log Mag 10.00dB/ Ref 0.000dB [F2]



1 Center 2.14 GHz

IFBW 10 kHz

Span 500 MHz Cor !