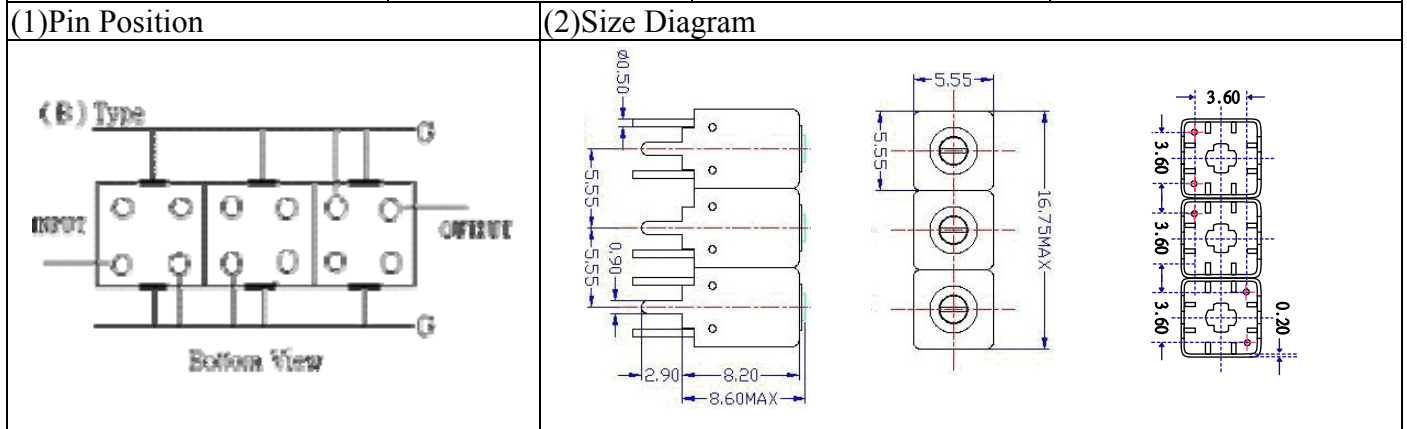


VHF UHF Helical Filter Specification Sheet

Customer Name		Temwell's Part No.	TTW3524B-2140M
Approval No. /dated	201407068CD	Temwell's Print Name.	3524B 2140M
Work Instruction No.	201407068CD	Date	Sep.12.2014



(3) Electric Character

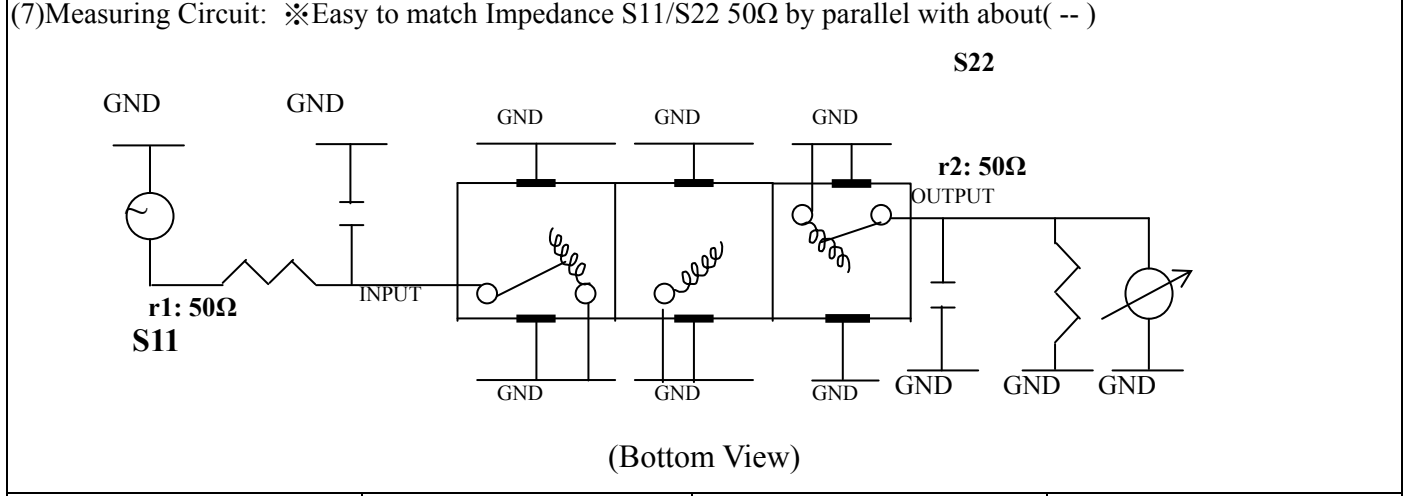
Item	Specify	Performance
Center Freq.(Fo) +/- 0.5 %	2140 MHz	2140 MHz
Insertion Loss	Typ. 3.5 dB	2.88 dB
-3 dB Bandwidth	Typ. 45 MHz	65.3 MHz
Sensitivity (Attenuation)	Fo - 100 MHz	Typ. 23 dBc
	Fo +100 MHz	Typ. 16 dBc
	Fo - ()MHz	Typ. dBc
	Fo +()MHz	Typ. dBc
Return Loss	Min. 12 dB	21.3 dB
Ripple	< 1 dB	dB
Impedance	In / Out : 50 Ω	In / Out : 50 Ω

(4) Torque for Tuning Screw > 60gf · cm

(5) Temperature Condition:

Operating Temperature	0°C ~ +60°C
Storage Temperature	-20°C ~ +70°C

(6) Input Power > 0.5Watt



Approval	Supervisor	Designer	Aperture size
C.Y.Chang	C.K.Chang	C.S.Chang	5W3S(3.8*4.0)(4.08) J1 5HW046RB3.2

TEMWELL CORPORATION

Performance-TTW3524B-2140M

201407068CD

