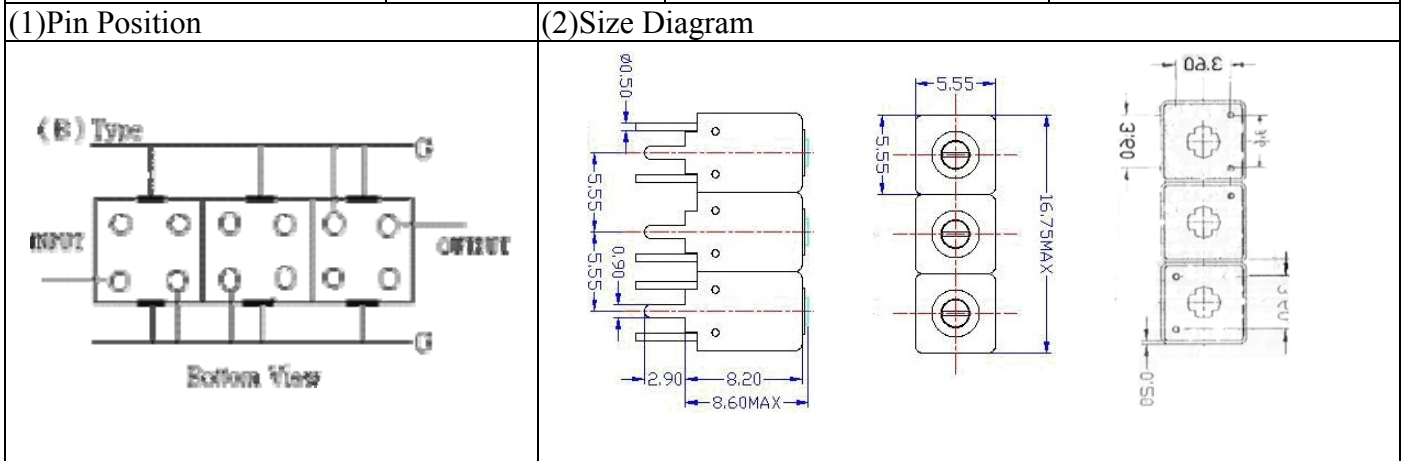
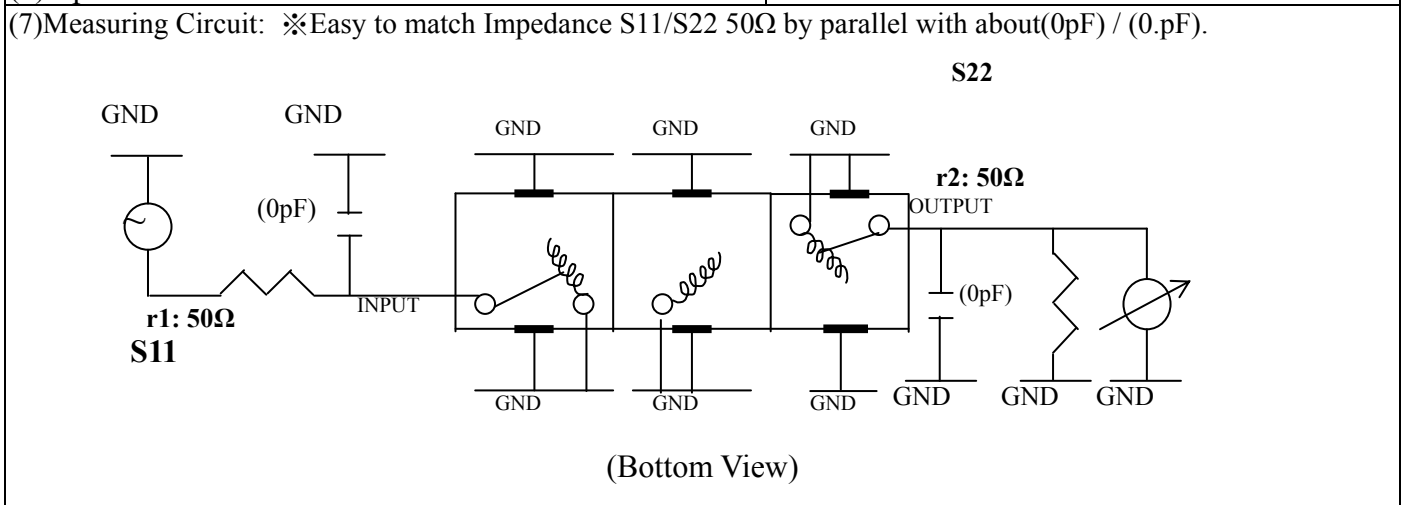


VHF UHF Helical Filter Specification Sheet

Customer Name		Temwell's Part No.	TTW3520B-1975M
Approval No. /dated	0611006APR	Acceptable Specify Fo Range	1951-2000 MHz
Work Instruction No.	0611006B	Date	Dec.13.2006



(3) Electric Character			
Item		Specify	Performance
Center Freq.(Fo) +/- 0.5 %		1975 MHz	1975 MHz
Tunable Range:		1975±5 MHz	1975±5 MHz
Insertion Loss		Typ. 4.0 dB	3.20 dB
-3 dB Bandwidth		Typ. 54 MHz	71.0 MHz
Sensitivity (Attenuation)	Fo - 150 MHz	Typ. 37 dBc	40 dBc
	Fo + 150 MHz	Typ. 28 dBc	31 dBc
	Fo - ()MHz	Typ. dBc	dBc
	Fo +()MHz	Typ. dBc	dBc
Return Loss		Min. 12 dB	24.1 dB
Ripple		< 1 dB	dB
Impedance		In / Out : 50 Ω	In / Out : 50 Ω
(4) Torque for Tuning Screw		> 60gf · cm	
(5) Temperature Condition:			
Operating Temperature		0°C ~ +60°C	
Storage Temperature		-20°C ~ +70°C	
(6) Input Power		> 0.5Watt	



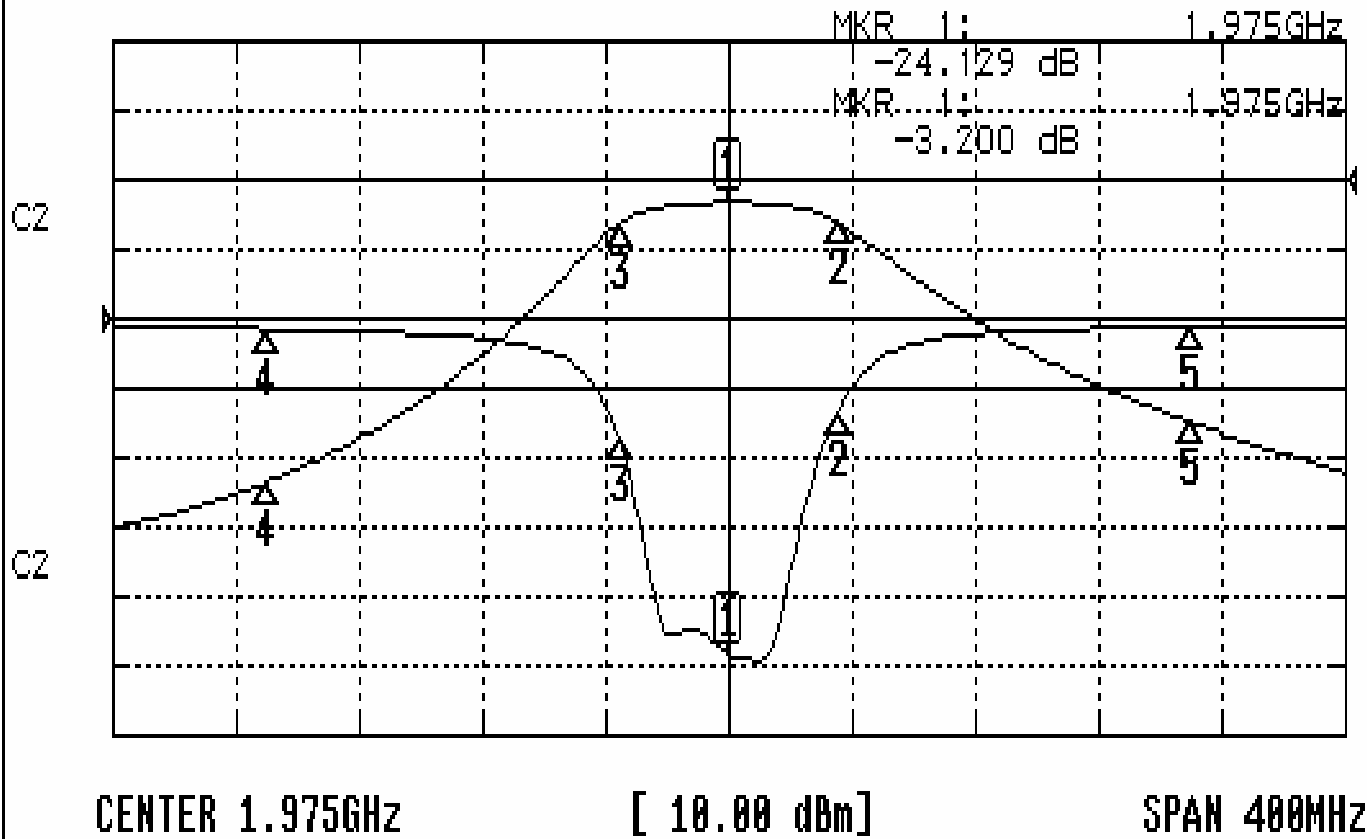
Approval	Supervisor	Designer	Aperture size
C.Y.Chang	C.S.Chang	P.H.Chiang	5W3, 3.8*3.5(3.60) 5HW046RB3.2

TEMWELL CORPORATION

Performance-TTW3520B-1975M

0611006B

CH1 S22 LOG MAG REF 0.000 dB 5.000 dB/
CH2 S21 LOG MAG REF 0.000 dB 10.000 dB/



CH1 MARKER LIST

Marker	Freq (GHz)	Magnitude (dB)
1	1.975000	-24.129
2	2.010666	-16.599
3	1.939666	-18.679
4	1.825000	-0.755
5	2.125000	-0.652

CH2 MARKER LIST

Marker	Freq (GHz)	Magnitude (dB)
1	1.975000	-3.203
2	2.010666	-6.144
3	1.939666	-6.268
4	1.825000	-43.619
5	2.125000	-34.930