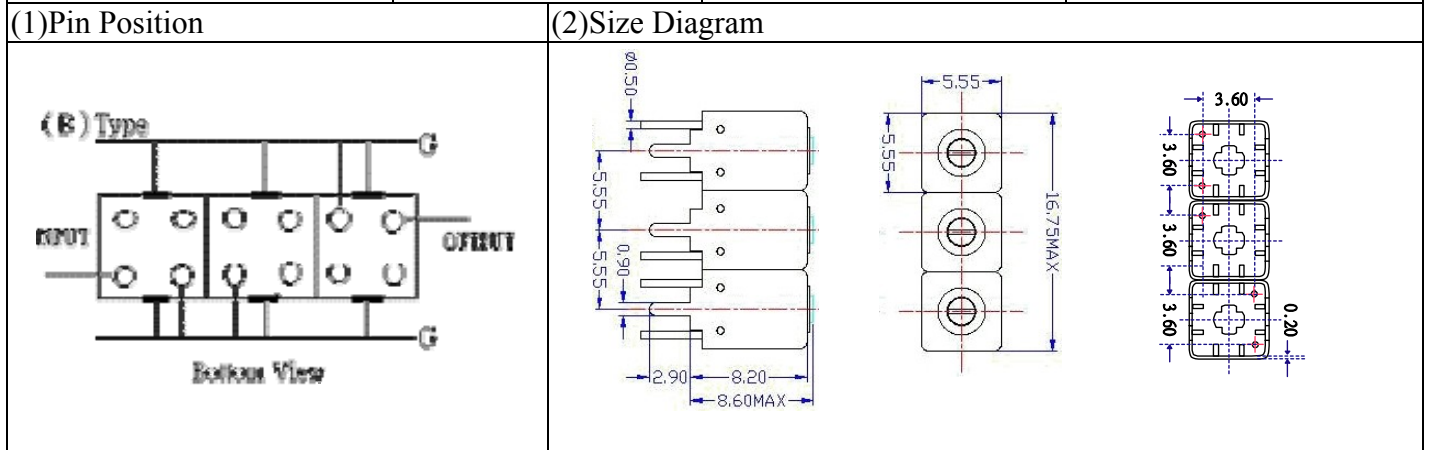
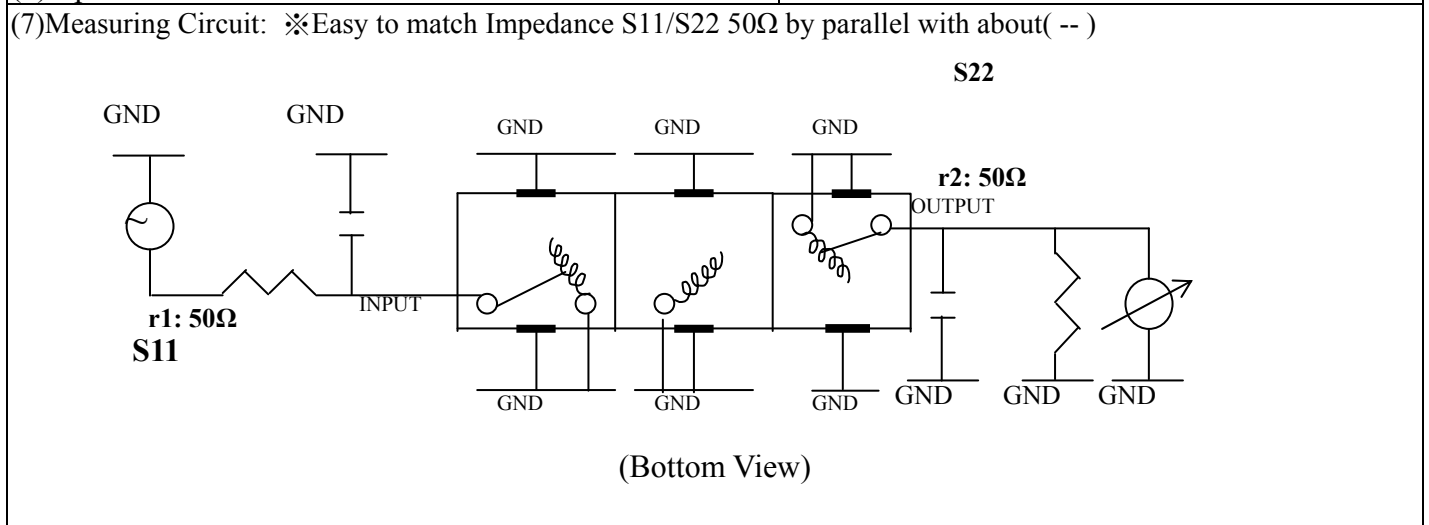


VHF UHF Helical Filter Specification Sheet

Customer Name		Temwell's Part No.	TTW3516B-1815M
Approval No. /dated	201407086CD	Temwell's Print Name.	3516B 1815M
Work Instruction No.	201407086CD	Date	Nov.18.2014



(3) Electric Character			
Item		Specify	Performance
Center Freq.(Fo) +/- 0.5 %		1815 MHz	1815 MHz
Insertion Loss		Typ. 3.5 dB	2.51 dB
-3 dB Bandwidth		Typ. 50 MHz	56.5 MHz
Sensitivity (Attenuation)	Fo - 100 MHz	Typ. 28 dBc	31 dBc
	Fo + 100 MHz	Typ. 20 dBc	23 dBc
	Fo - ()MHz	Typ. dBc	dBc
	Fo + ()MHz	Typ. dBc	dBc
Return Loss		Min. 12 dB	32.6 dB
Ripple		< 1 dB	dB
Impedance		In / Out : 50 Ω	In / Out : 50 Ω
(4) Torque for Tuning Screw		> 60gf · cm	
(5) Temperature Condition:			
Operating Temperature		0°C ~ +60°C	
Storage Temperature		-20°C ~ +70°C	
(6) Input Power		> 0.5Watt	



Approval C.Y.Chang	Supervisor C.K.Chang	Designer C.S.Chang	Aperture size 5W3S(3.8*4.0)(4.08) 5HW046RB3.2
-----------------------	-------------------------	-----------------------	---

TEMWELL CORPORATION

Performance-TTW3516B-1815M

201407086CD

