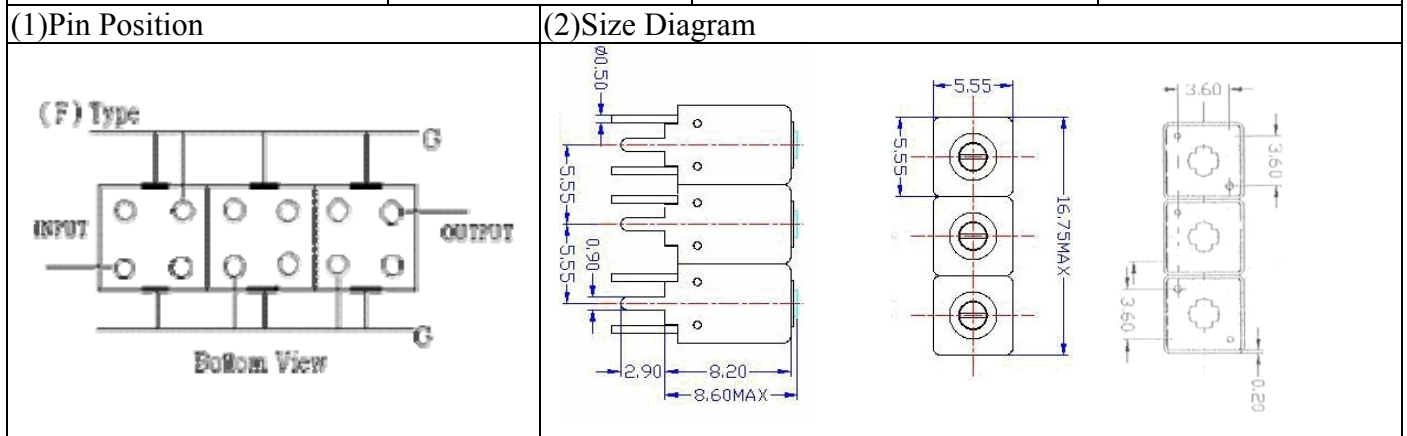


VHF UHF Helical Filter Specification Sheet

Customer Name		Temwell's Part No.	TTW3510F-987M
Approval No. /dated		Temwell's Print Name.	3510F 987M
Work Instruction No.	201406023CD	Date	Jun.19.2014



(3) Electric Characteristic			
Item		Specify	Performance
Center Freq.(Fo) +/- 0.5 %		987 MHz	987 MHz
Insertion Loss		Typ 3.0 dB	1.66 dB
-3 dB Bandwidth		Typ. 39 MHz	46.6 MHz
Sensitivity (Attenuation)	Fo - 100 MHz	Typ. 34 dBc	37 dBc
	Fo + 100 MHz	Typ. 42 dBc	45 dBc
	Fo - ()MHz	Typ. dBc	dBc
	Fo + ()MHz	Typ. dBc	dBc
Return Loss		Min 12 dB	26.6 dB
Ripple		< 1 dB	dB
Impedance		In / Out : 50 Ω	In / Out : 50 Ω

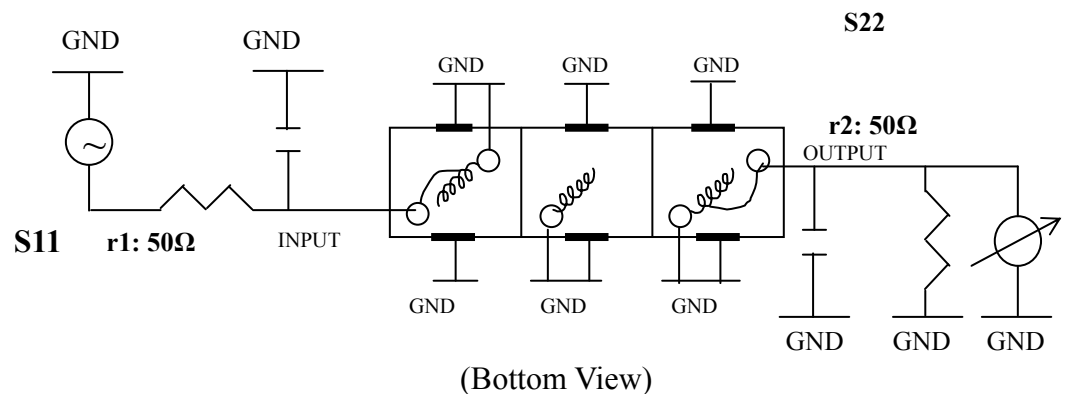
(4) Torque for Tuning Screw > 60gf · cm

(5) Temperature Condition:

Operating Temperature	0°C ~ +60°C
Storage Temperature	-20°C ~ +70°C

(6) Input Power > 0.5Watt

(7) Measuring Circuit: ※Easy to match Impedance S11/S22 50Ω by parallel with about(--).



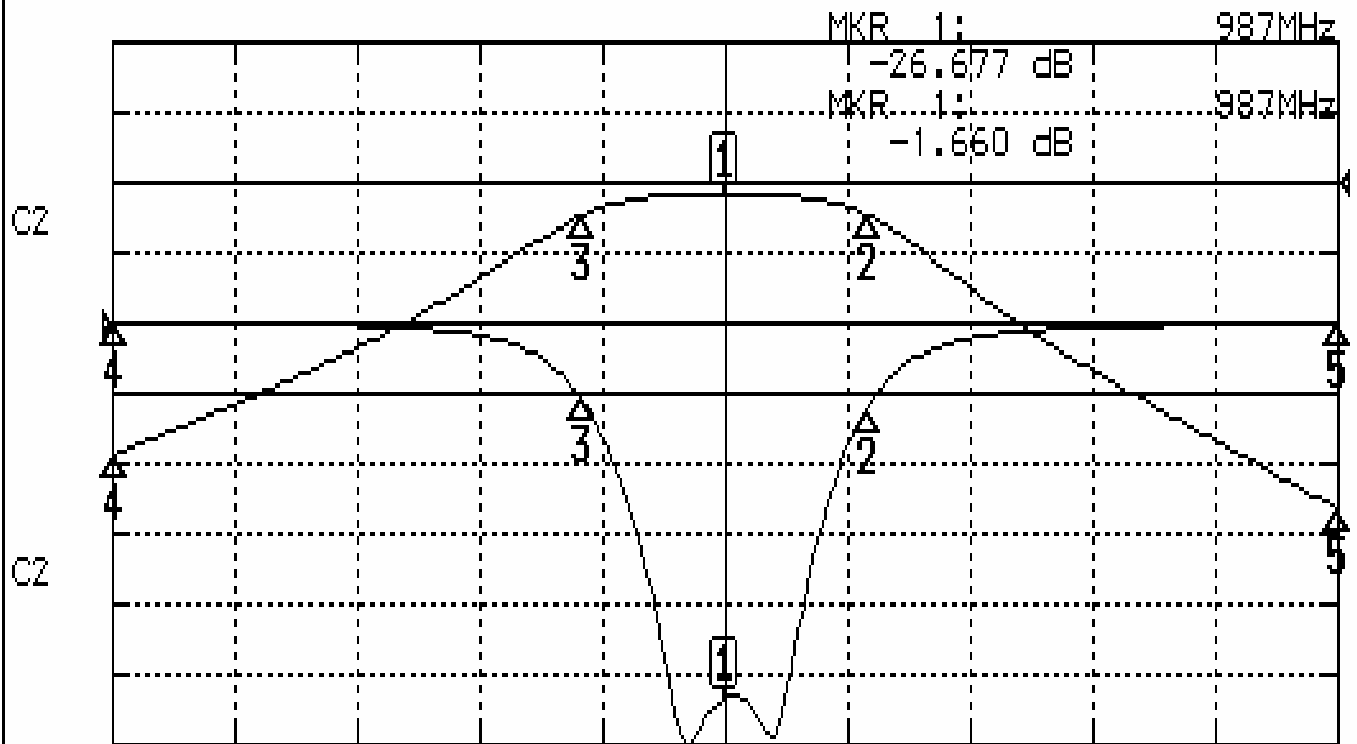
Approval	Supervisor	Designer	Aperture size
C.Y.Chang	C.S.Chang	M.Y.Kang	5W3S(3.8*5.1)(5.14) 5HW024RB3 (J1)

TEMWELL CORPORATION

Performance-TTW3510F-987M

201406023CD

CH1	S11	LOG MAG	REF	0.000 dB	5.000 dB/
CH2	S21	LOG MAG	REF	0.000 dB	10.000 dB/



CENTER 987MHz

[10.00 dBm]

SPAN 200MHz

CH1 MARKER LIST

1:	987.000MHz	-26.677	dB
2:	1.010 333GHz	-15.997	dB
3:	963.666MHz	-15.397	dB
4:	887.000MHz	0.079	dB
5:	1.087 000GHz	0.027	dB

CH2 MARKER LIST

1:	987.000MHz	-1.660	dB
2:	1.010 333GHz	-4.676	dB
3:	963.666MHz	-4.661	dB
4:	887.000MHz	-38.681	dB
5:	1.087 000GHz	-46.691	dB