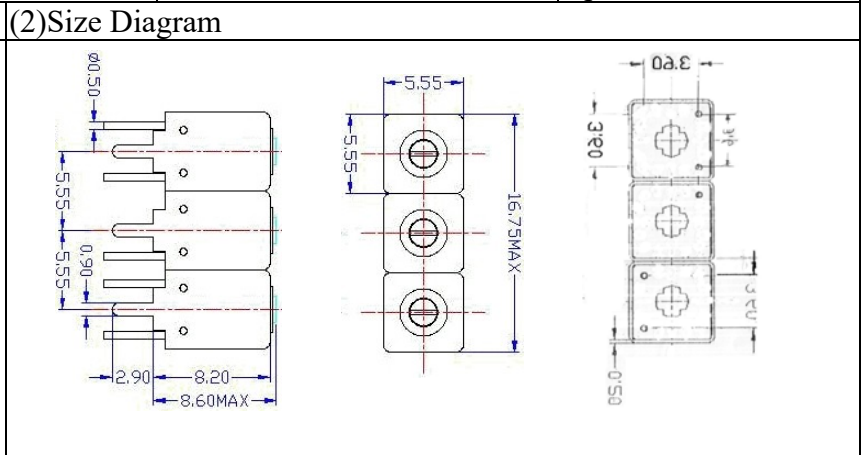
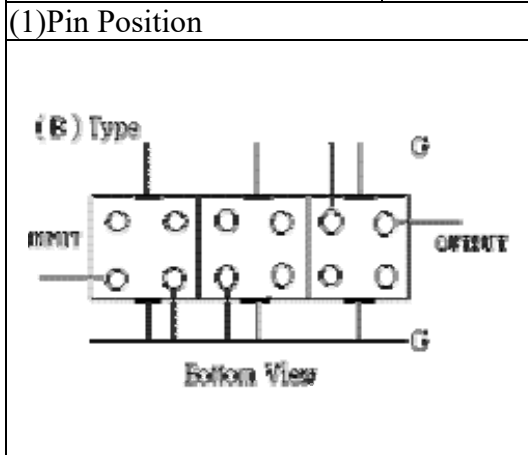


VHF UHF Helical Filter Specification Sheet

Customer Name		Temwell's Part No.	TTW31088B-2657M
Approval No. /dated	201902036CD	Temwell's Print Name	31088B 2657M
Work Instruction No.	201902036CD	Date	Apr.10.2019



(3) Electric Character

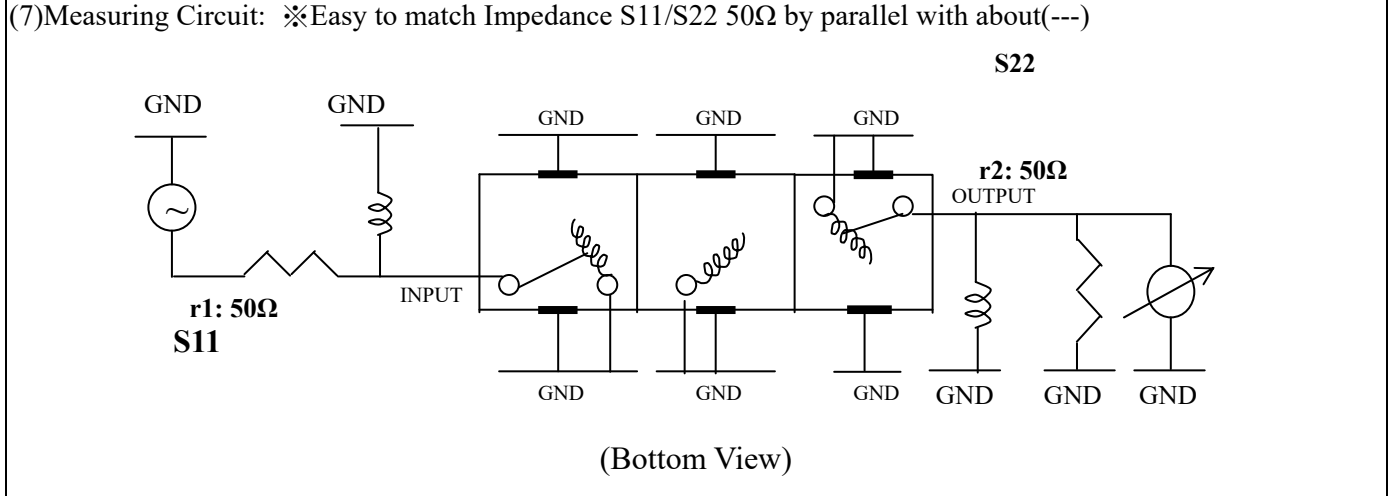
Item	Specify	Performance	
Center Freq.(Fo) +/- 0.5 %	2657 MHz	2657 MHz	
Insertion Loss	Typ. 4.5 dB	3.36 dB	
-3 dB Bandwidth	Typ. 66 MHz	73.0 MHz	
Sensitivity (Attenuation)	Fo - 150 MHz	Typ. 20 dBc	25 dBc
	Fo + 150 MHz	Typ. 15 dBc	20 dBc
	Fo - ()MHz	Typ. dBc	dBc
	Fo +()MHz	Typ. dBc	dBc
Return Loss	Min. 12 dB	18.6 dB	
Ripple	< 1 dB	dB	
Impedance	In / Out : 50 Ω	In / Out : 50 Ω	

(4) Torque for Tuning Screw > 60gf · cm

(5) Temperature Condition:

Operating Temperature	0°C ~ +60°C
Storage Temperature	-20°C ~ +70°C

(6) Input Power > 0.5Watt

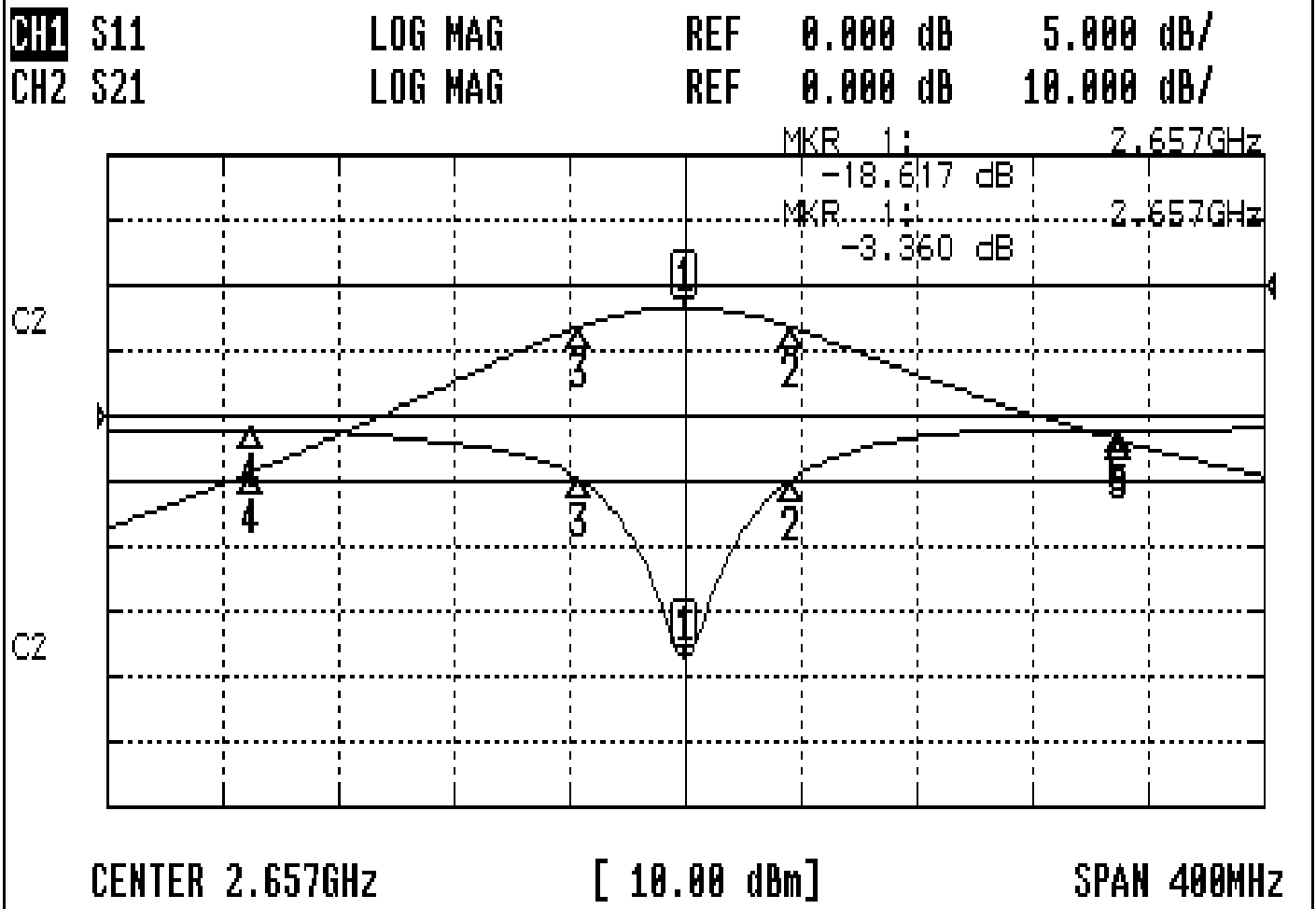


Approval	Supervisor	Designer	Aperture size
C.Y.Chang	C.K.Chang	C.H.Yeh	5W3S(3.8*4.0)(4.08) 5HW046RB3.2(J1)

TEMWELL CORPORATION

Performance-TTW31088B-2657M

201902036CD



CH1 MARKER LIST

Marker	Freq (GHz)	Magnitude (dB)
1	2.657000	-18.617
2	2.693333	-4.953
3	2.620333	-4.044
4	2.507000	-1.040
5	2.807000	-1.148

CH2 MARKER LIST

Marker	Freq (GHz)	Magnitude (dB)
1	2.657000	-3.360
2	2.693333	-6.389
3	2.620333	-6.314
4	2.507000	-20.618
5	2.807000	-23.712