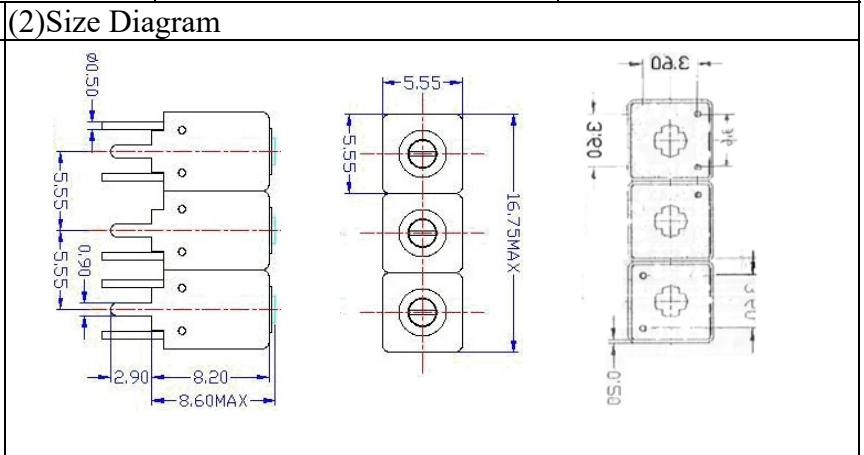
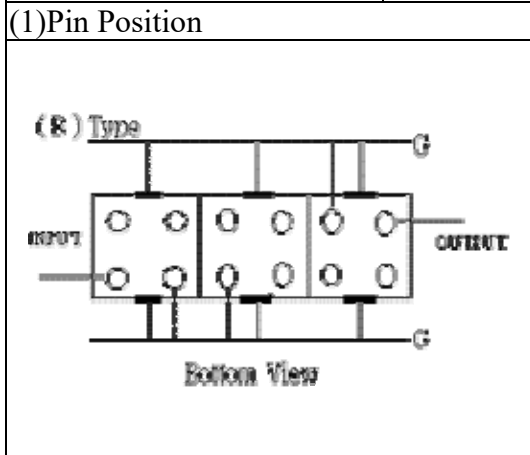


VHF UHF Helical Filter Specification Sheet

Customer Name		Temwell's Part No.	TTW31078B-1965M
Approval No. /dated	201902022CD	Temwell's Print Name	31078B 1965M
Work Instruction No.	201902022CD	Date	Mar.22.2019



(3) Electric Character

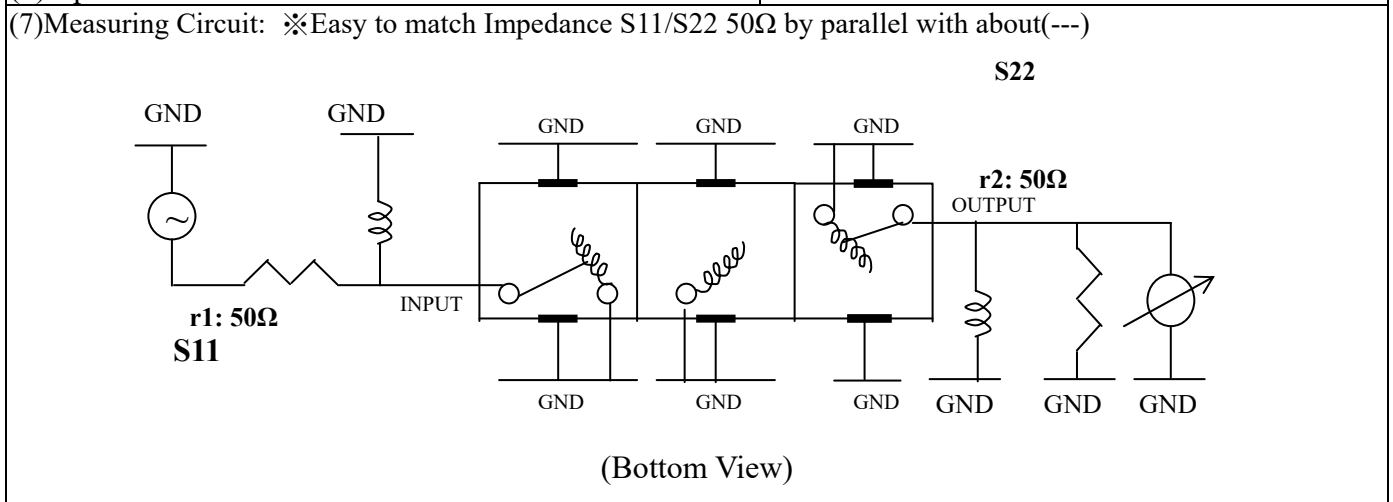
Item	Specify	Performance	
Center Freq.(Fo) +/- 0.5 %	1965 MHz	1965 MHz	
Insertion Loss	Typ. 3.0 dB	2.12 dB	
-3 dB Bandwidth	Typ. 90 MHz	94.6 MHz	
Sensitivity (Attenuation)	Fo - 150 MHz	Typ. 34 dBc	39 dBc
	Fo + 150 MHz	Typ. 21 dBc	26 dBc
	Fo - ()MHz	Typ. dBc	dBc
	Fo + ()MHz	Typ. dBc	dBc
Return Loss	Min. 12 dB	26.0 dB	
Ripple	< 1 dB	dB	
Impedance	In / Out : 50 Ω	In / Out : 50 Ω	
(4) Torque for Tuning Screw	> 60gf · cm		

(5) Temperature Condition:

Operating Temperature	0°C ~ +60°C
Storage Temperature	-20°C ~ +70°C

(6) Input Power

> 0.5Watt



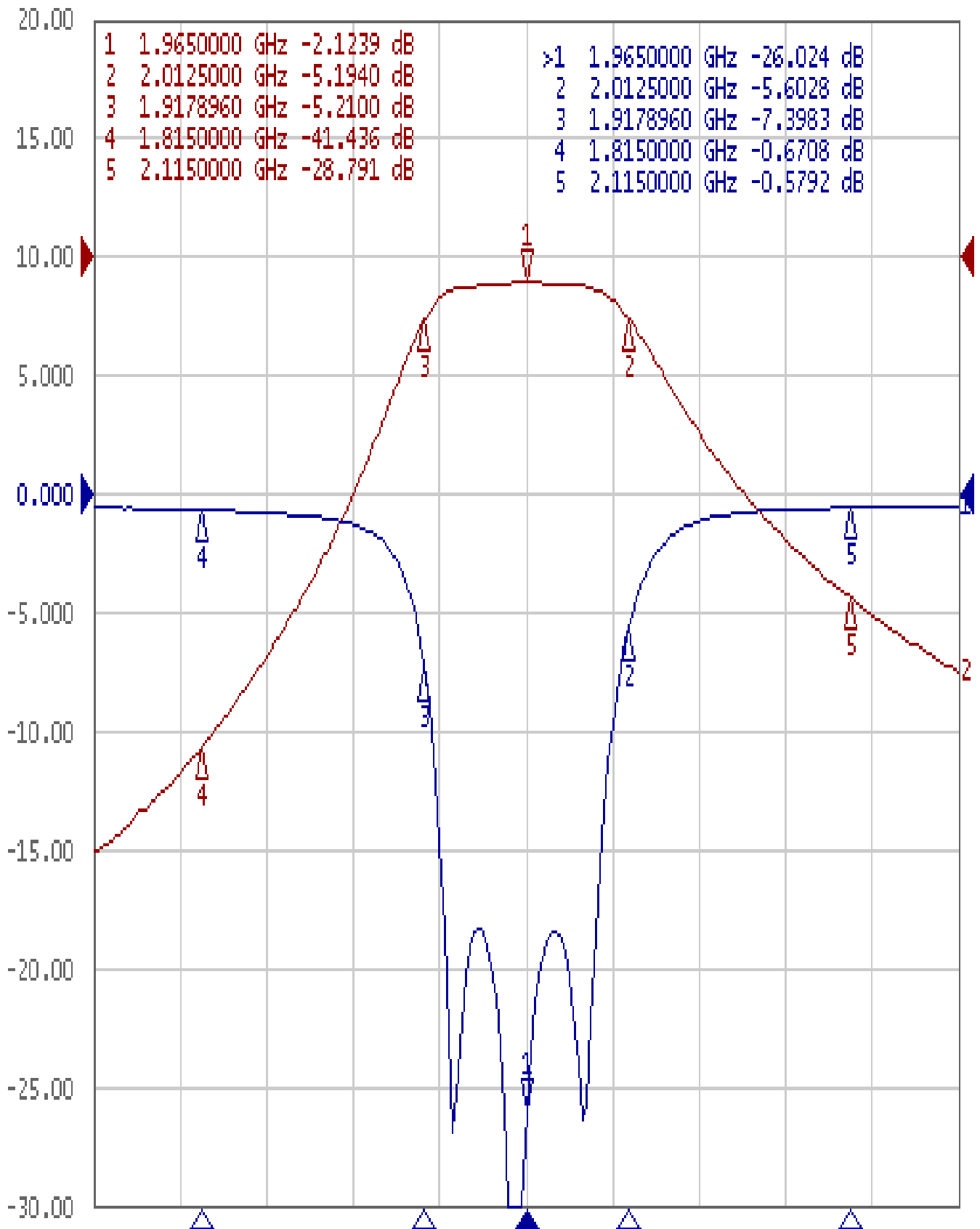
Approval C.Y.Chang	Supervisor C.K.Chang	Designer W.W.Wang	Aperture size 5W3S(3.8*4.5)(4.58) 5HW046RB3.2(J1)
-----------------------	-------------------------	----------------------	---

TEMWELL CORPORATION

Performance-TTW31078B-1965M

201902022CD

Tr1 S11 Log Mag 5.000dB/ Ref 0.000dB [F2]
Tr2 S21 Log Mag 10.000dB/ Ref 0.000dB [F2]



1 Center 1.965 GHz

IFBW 70 kHz

Span 400 MHz Cor !