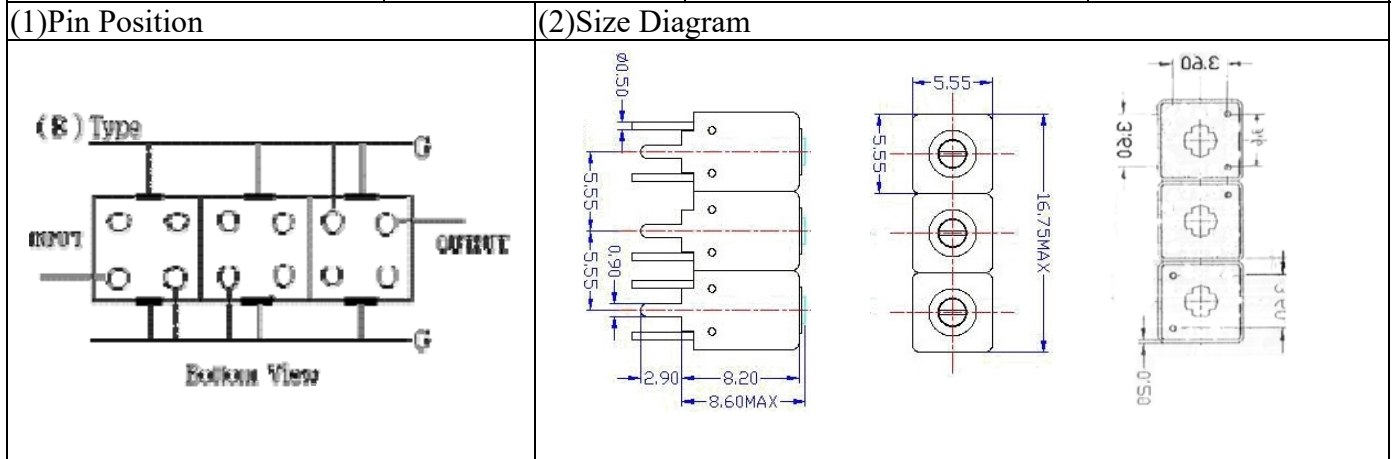


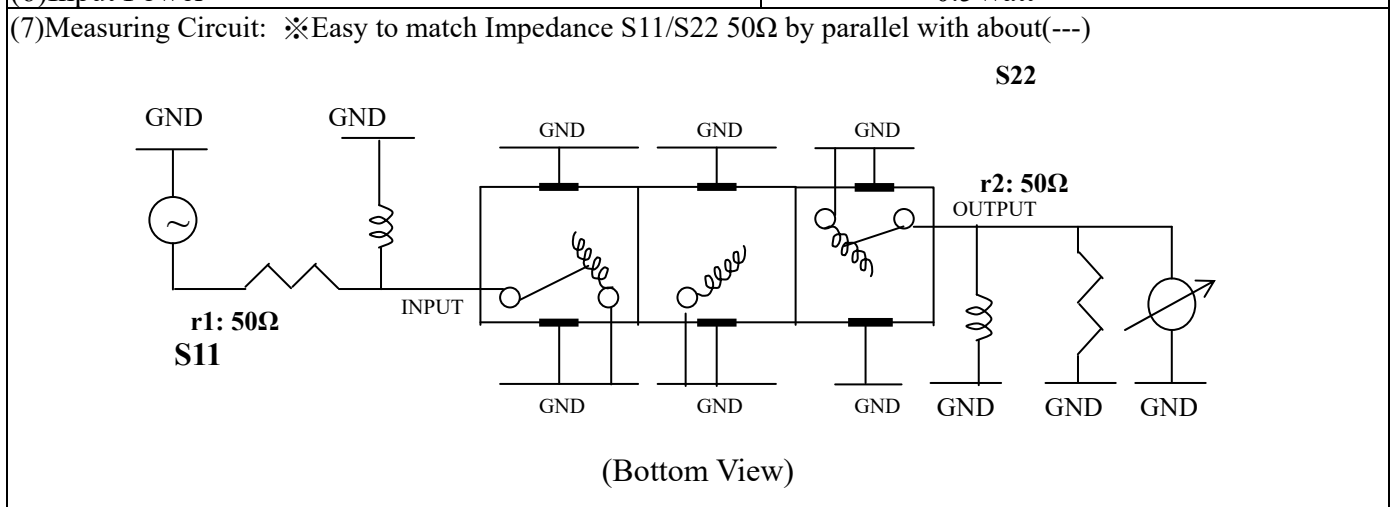
# VHF UHF Helical Filter Specification Sheet

Customer Name		Temwell's Part No.	TTW31075B-1950M
Approval No. /dated	201902019CD	Temwell's Print Name	31075B 1950M
Work Instruction No.	201902019CD	Date	Mar.15.2019



(3) Electric Character			
Item		Specify	Performance
Center Freq.(Fo) +/- 0.5 %		1950 MHz	1950 MHz
Insertion Loss		Typ. 4.0 dB	2.68 dB
-3 dB Bandwidth		Typ. 60 MHz	65.0 MHz
Sensitivity (Attenuation)	Fo - 150 MHz	Typ. 36 dBc	41 dBc
	Fo + 150 MHz	Typ. 24 dBc	29 dBc
	Fo - ( )MHz	Typ. dBc	dBc
	Fo +( )MHz	Typ. dBc	dBc
Return Loss		Min. 12 dB	50.7 dB
Ripple		< 1 dB	dB
Impedance		In / Out : 50 Ω	In / Out : 50 Ω
(4) Torque for Tuning Screw		> 60gf · cm	

(5) Temperature Condition:	
Operating Temperature	0°C ~ +60°C
Storage Temperature	-20°C ~ +70°C
(6) Input Power	> 0.5Watt



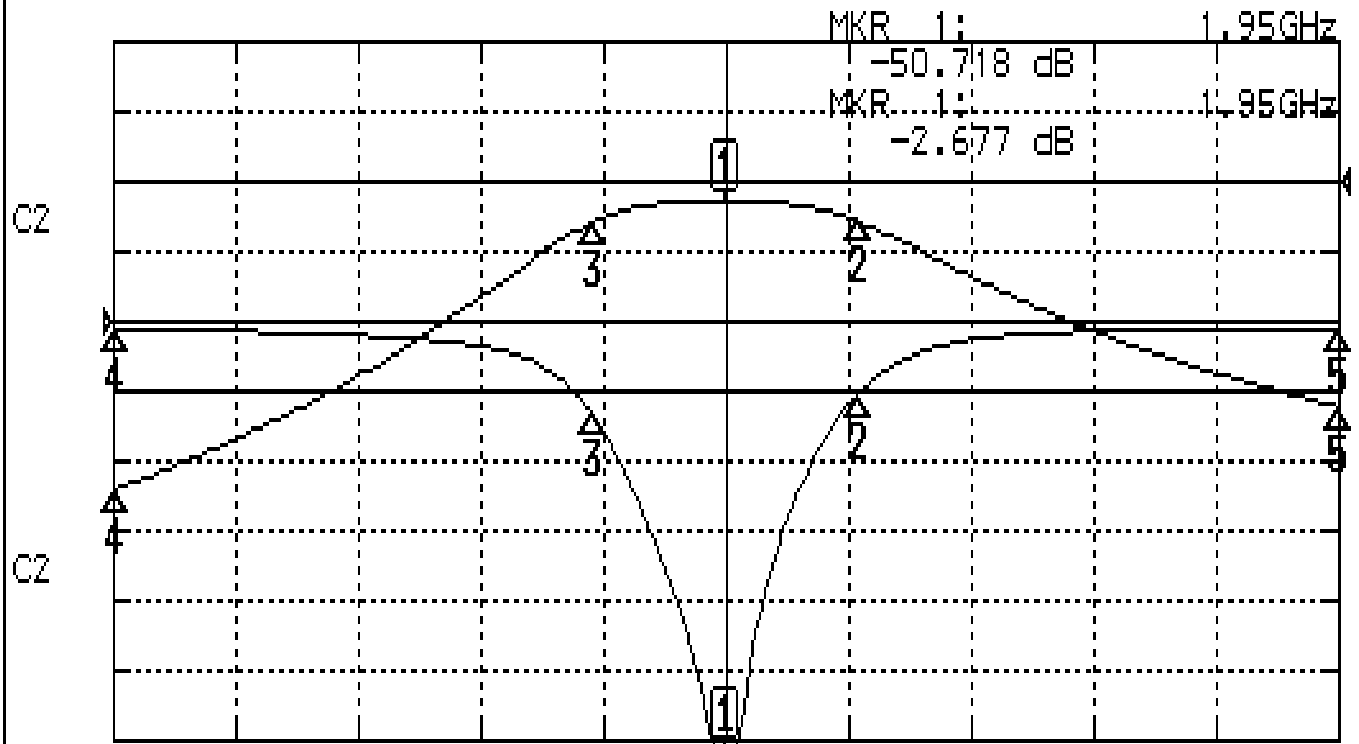
Approval	Supervisor	Designer	Aperture size
C.Y.Chang	C.K.Chang	C.H.Yeh	5W3S(3.8*4.5)(4.58) 5HW046RB3.2(J1)

TEMWELL CORPORATION

# Performance-TTW31075B-1950M

## 201902019CD

**CH1** S11                      LOG MAG                      REF    0.000 dB            5.000 dB/  
**CH2** S21                      LOG MAG                      REF    0.000 dB            10.000 dB/



CENTER 1.95GHz

[ 10.00 dBm ]

SPAN 300MHz

### CH1 MARKER LIST

1	1.950	000GHz	-50.718	dB
2	1.982	500GHz	-15.157	dB
3	1.917	500GHz	-10.683	dB
4	1.800	000GHz	-0.528	dB
5	2.100	000GHz	-0.499	dB

### CH2 MARKER LIST

1	1.950	000GHz	-2.680	dB
2	1.982	500GHz	-5.727	dB
3	1.917	500GHz	-5.741	dB
4	1.800	000GHz	-44.071	dB
5	2.100	000GHz	-32.185	dB