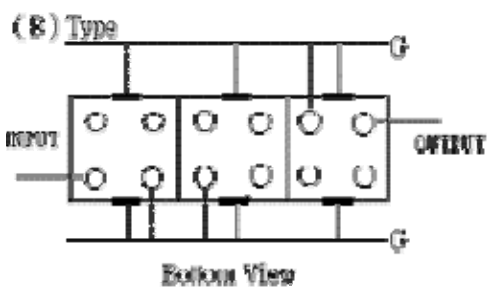
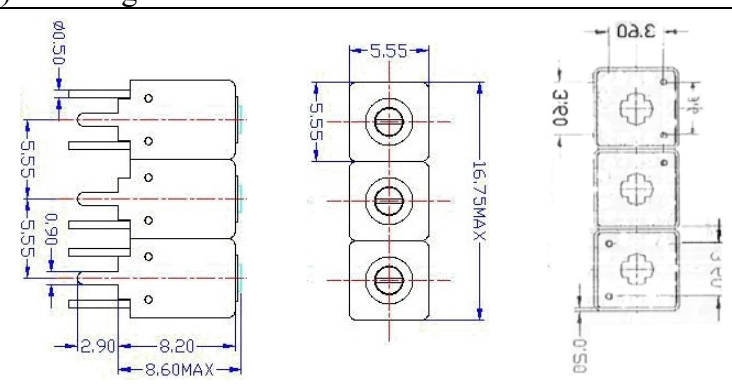


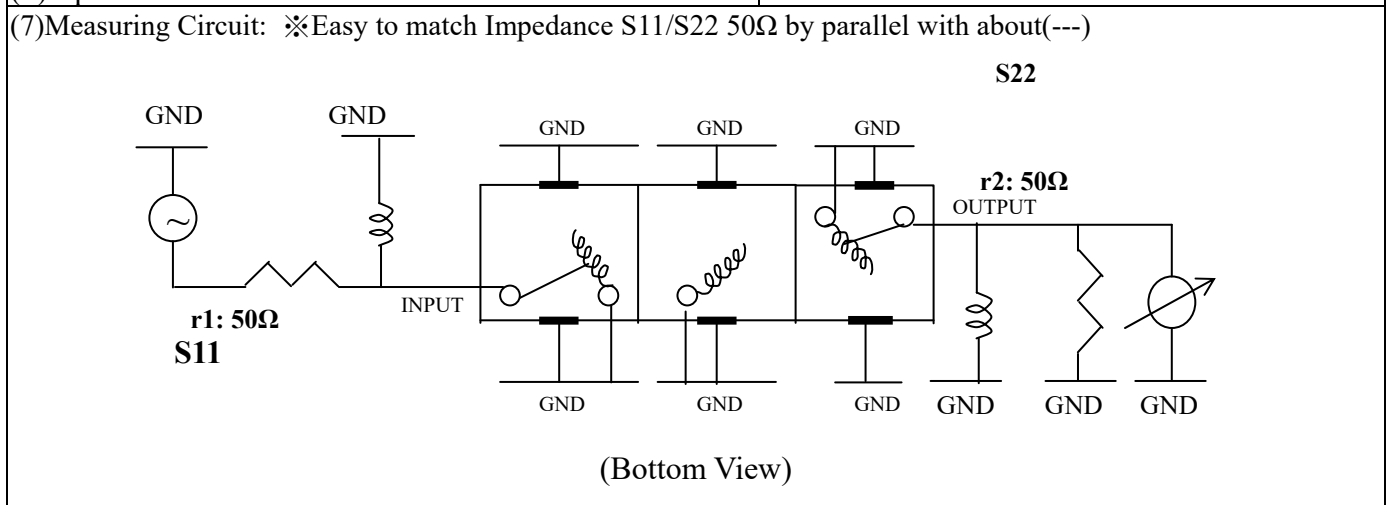
# VHF UHF Helical Filter Specification Sheet

Customer Name		Temwell's Part No.	TTW31074B-1920M
Approval No. /dated	201902018CD	Temwell's Print Name	31074B 1920M
Work Instruction No.	201902018CD	Date	Apr.03.2019

(1) Pin Position	(2) Size Diagram
 <p>(B) Type Bottom View</p>	

(3) Electric Character					
Item		Specify		Performance	
Center Freq.(Fo) +/- 0.5 %		1920 MHz		1920 MHz	
Insertion Loss		Typ. 7.0 dB		5.95 dB	
-3 dB Bandwidth		Typ. 20 MHz		27.2 MHz	
Sensitivity (Attenuation)	Fo - 100 MHz	Typ. 44 dBc		49 dBc	
	Fo + 100 MHz	Typ. 25 dBc		30 dBc	
	Fo - ( )MHz	Typ. dBc		dBc	
	Fo +( )MHz	Typ. dBc		dBc	
Return Loss		Min. 12 dB		15.5 dB	
Ripple		< 1 dB		dB	
Impedance		In / Out : 50 Ω		In / Out : 50 Ω	
(4) Torque for Tuning Screw		> 60gf · cm			

(5) Temperature Condition:	
Operating Temperature	0°C ~ +60°C
Storage Temperature	-20°C ~ +70°C
(6) Input Power	> 0.5Watt

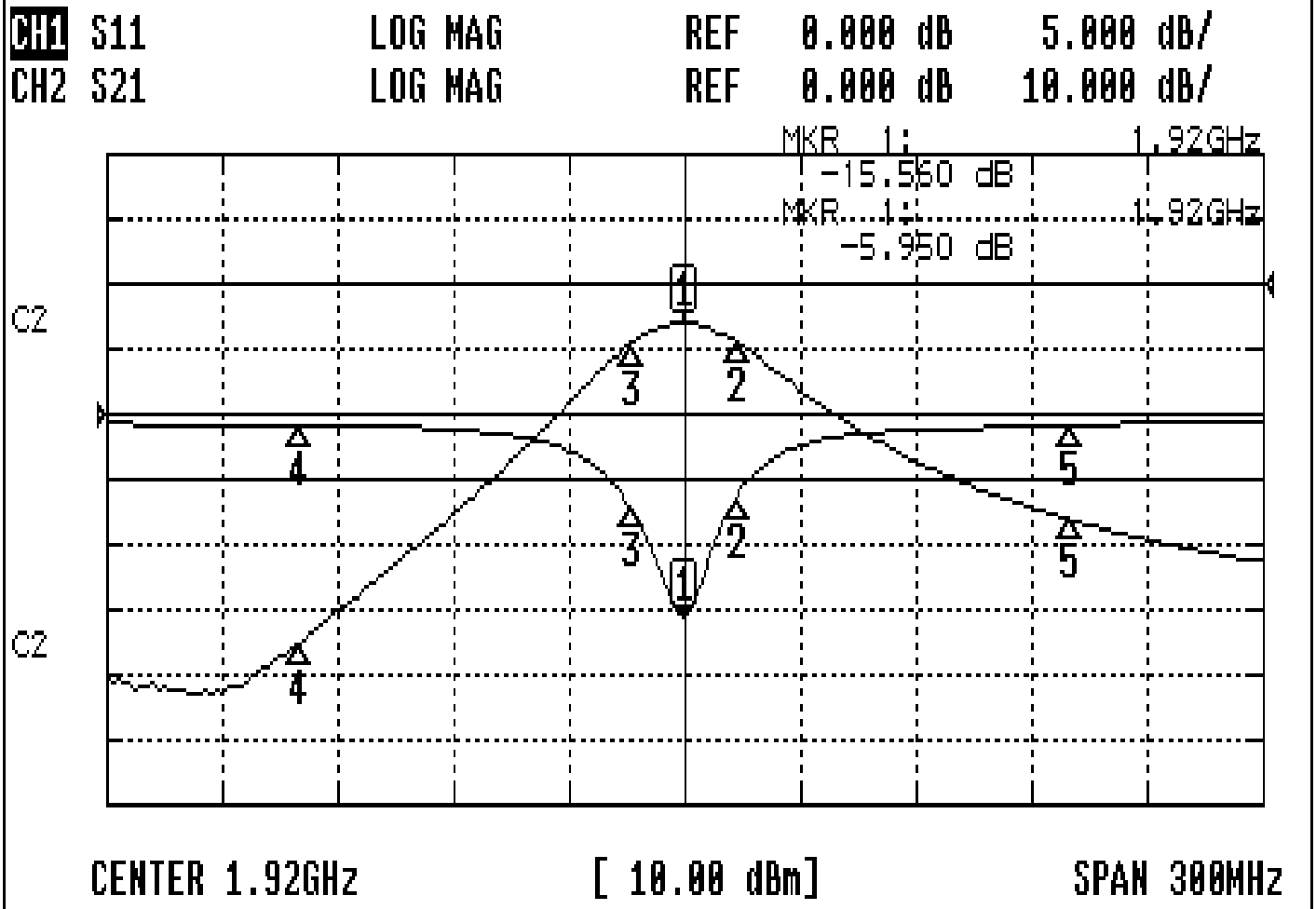


Approval	Supervisor	Designer	Aperture size
C.Y.Chang	C.K.Chang	C.H.Yeh	5W3S(3.8*3.5)(3.58) 5HW024RB3(J1)

TEMWELL CORPORATION

# Performance-TTW31074B-1920M

## 201902018CD



### CH1 MARKER LIST

Marker	Freq (GHz)	Magnitude (dB)
1	1.920 000	-15.560
2	1.933 500	-6.326
3	1.906 250	-7.220
4	1.820 000	-0.895
5	2.020 000	-0.852

### CH2 MARKER LIST

Marker	Freq (GHz)	Magnitude (dB)
1	1.920 000	-5.950
2	1.933 500	-8.937
3	1.906 250	-9.006
4	1.820 000	-4.980
5	2.020 000	-36.187