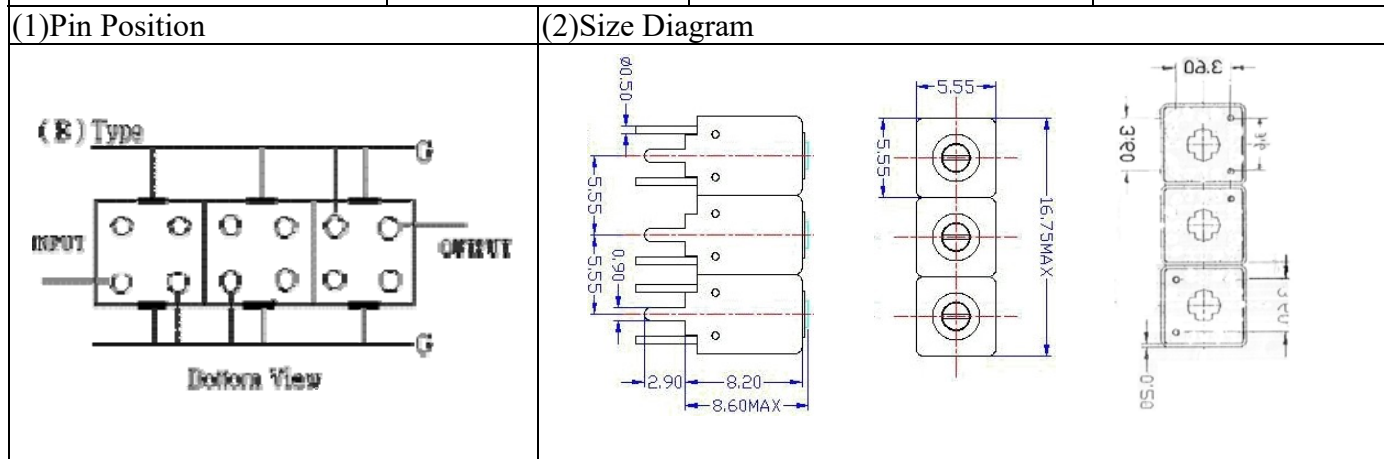


VHF UHF Helical Filter Specification Sheet

Customer Name		Temwell's Part No.	TTW31072B-1900M
Approval No. /dated	201902016CD	Temwell's Print Name	31072B 1900M
Work Instruction No.	201902016CD	Date	Mar.15.2019



(3) Electric Character

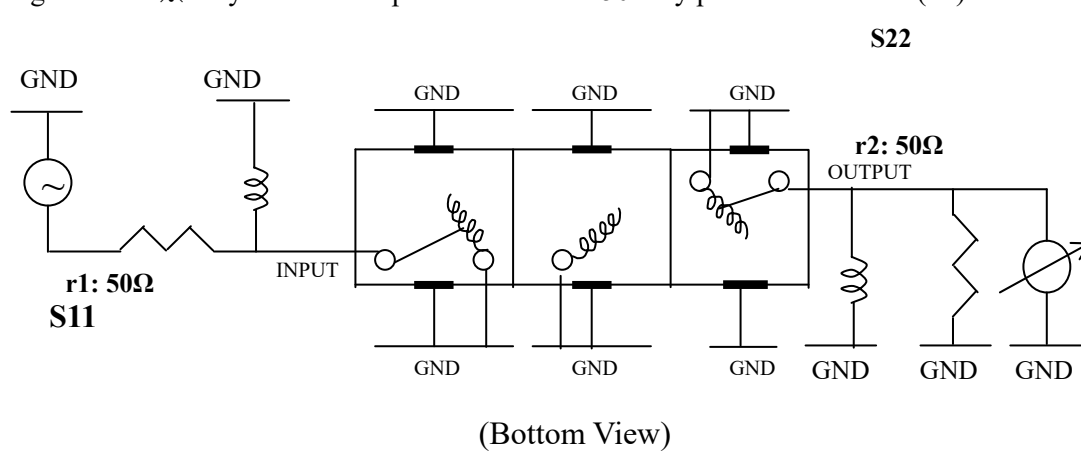
Item	Specify	Performance	
Center Freq.(Fo) +/- 0.5 %	1900 MHz	1900 MHz	
Insertion Loss	Typ. 5.0 dB	3.87 dB	
-3 dB Bandwidth	Typ. 40 MHz	46.0 MHz	
Sensitivity (Attenuation)	Fo - 150 MHz	Typ. 41 dBc	46 dBc
	Fo + 150 MHz	Typ. 31 dBc	36 dBc
	Fo - ()MHz	Typ. dBc	dBc
	Fo +()MHz	Typ. dBc	dBc
Return Loss	Min. 12 dB	22.5 dB	
Ripple	< 1 dB	dB	
Impedance	In / Out : 50 Ω	In / Out : 50 Ω	
(4) Torque for Tuning Screw	> 60gf · cm		

(5) Temperature Condition:

Operating Temperature	0°C ~ +60°C
Storage Temperature	-20°C ~ +70°C

(6) Input Power

(7) Measuring Circuit: ※Easy to match Impedance S11/S22 50Ω by parallel with about(---)

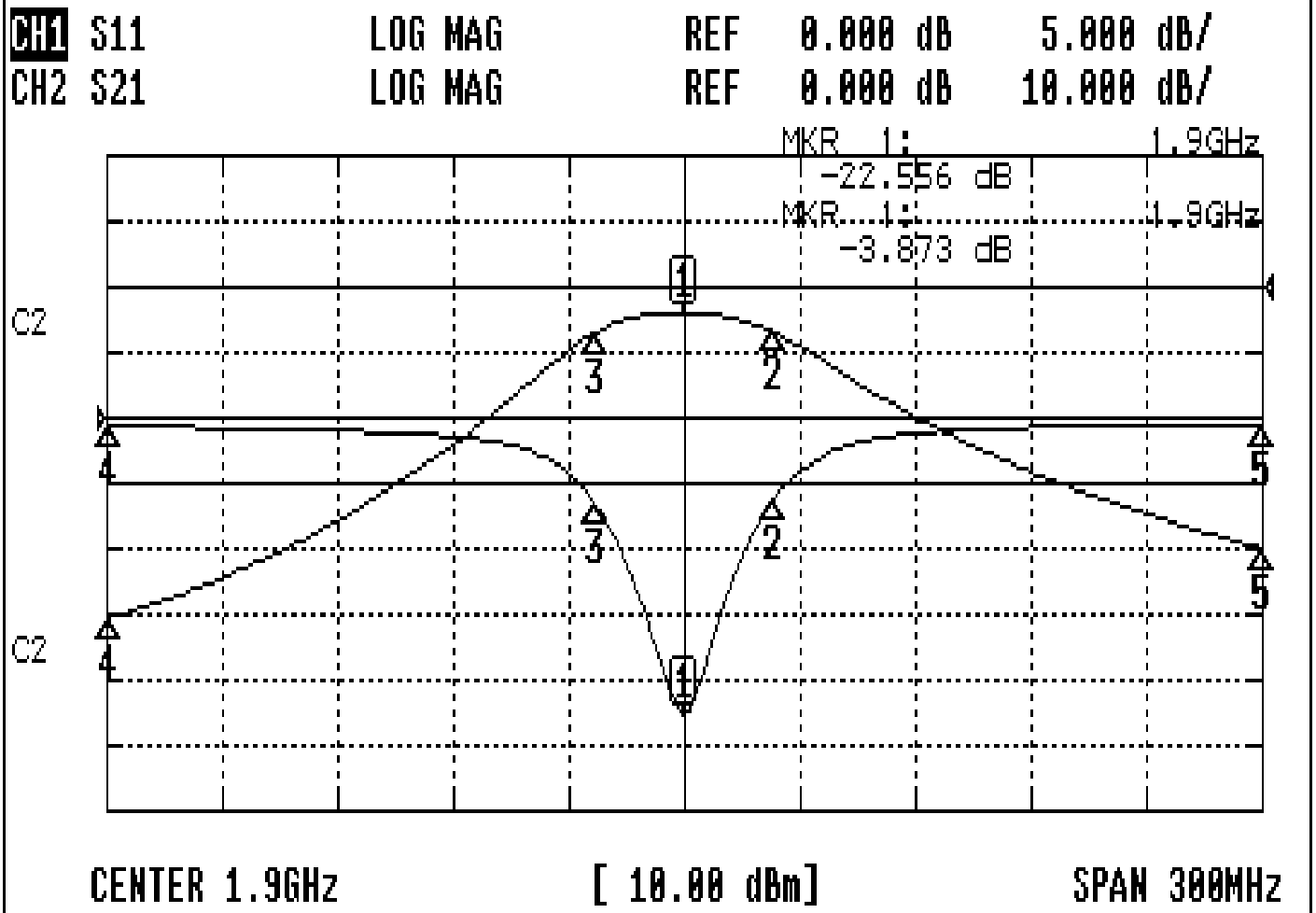


Approval	Supervisor	Designer	Aperture size
C.Y.Chang	C.K.Chang	C.H.Yeh	5W3S(3.8*3.5)(3.58) 5HW046RB3.2(J1)

TEMWELL CORPORATION

Performance-TTW31072B-1900M

201902016CD



CH1 MARKER LIST

1	1.900	000GHz	-22.556	dB
2	1.923	250GHz	-16.260	dB
3	1.877	250GHz	-16.650	dB
4	1.750	000GHz	-0.617	dB
5	2.050	000GHz	-0.511	dB

CH2 MARKER LIST

1	1.900	000GHz	-3.873	dB
2	1.923	250GHz	-16.928	dB
3	1.877	250GHz	-16.876	dB
4	1.750	000GHz	-50.682	dB
5	2.050	000GHz	-40.004	dB