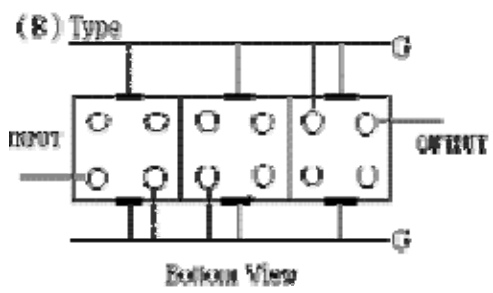
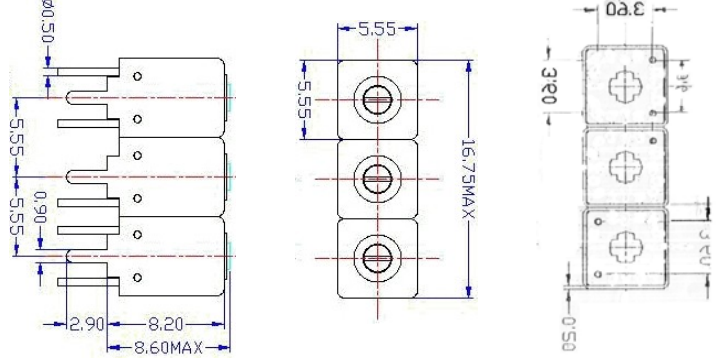


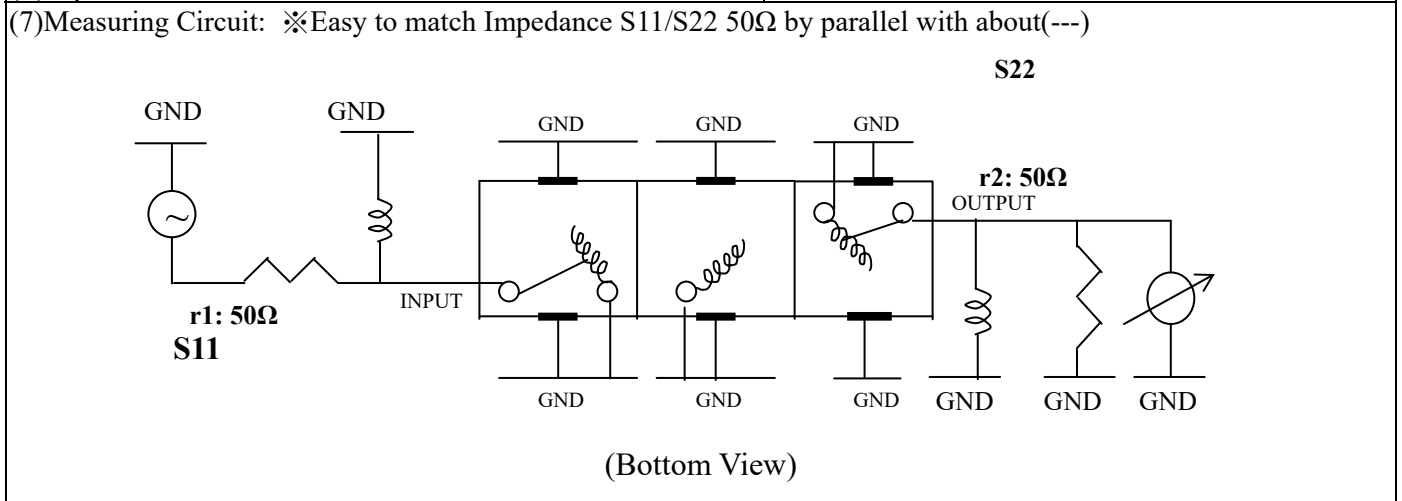
# VHF UHF Helical Filter Specification Sheet

Customer Name		Temwell's Part No.	TTW31066B-1767.4M
Approval No. /dated	201902010CD	Temwell's Print Name	31066B 1767.4M
Work Instruction No.	201902010CD	Date	Mar.06.2019

(1) Pin Position	(2) Size Diagram
 <p>(B) Type Bottom View</p>	

(3) Electric Character					
Item		Specify		Performance	
Center Freq.(Fo) +/- 0.5 %		1767.4 MHz		1767.4 MHz	
Insertion Loss		Typ. 5.0 dB		3.76 dB	
-3 dB Bandwidth		Typ. 35 MHz		37.8 MHz	
Sensitivity (Attenuation)	Fo - 100 MHz	Typ. 37 dBc		42 dBc	
	Fo + 100 MHz	Typ. 26 dBc		31 dBc	
	Fo - ( )MHz	Typ. dBc		dBc	
	Fo +( )MHz	Typ. dBc		dBc	
Return Loss		Min. 12 dB		39.9 dB	
Ripple		< 1 dB		dB	
Impedance		In / Out : 50 Ω		In / Out : 50 Ω	
(4) Torque for Tuning Screw		> 60gf · cm			

(5) Temperature Condition:	
Operating Temperature	0°C ~ +60°C
Storage Temperature	-20°C ~ +70°C
(6) Input Power	> 0.5Watt



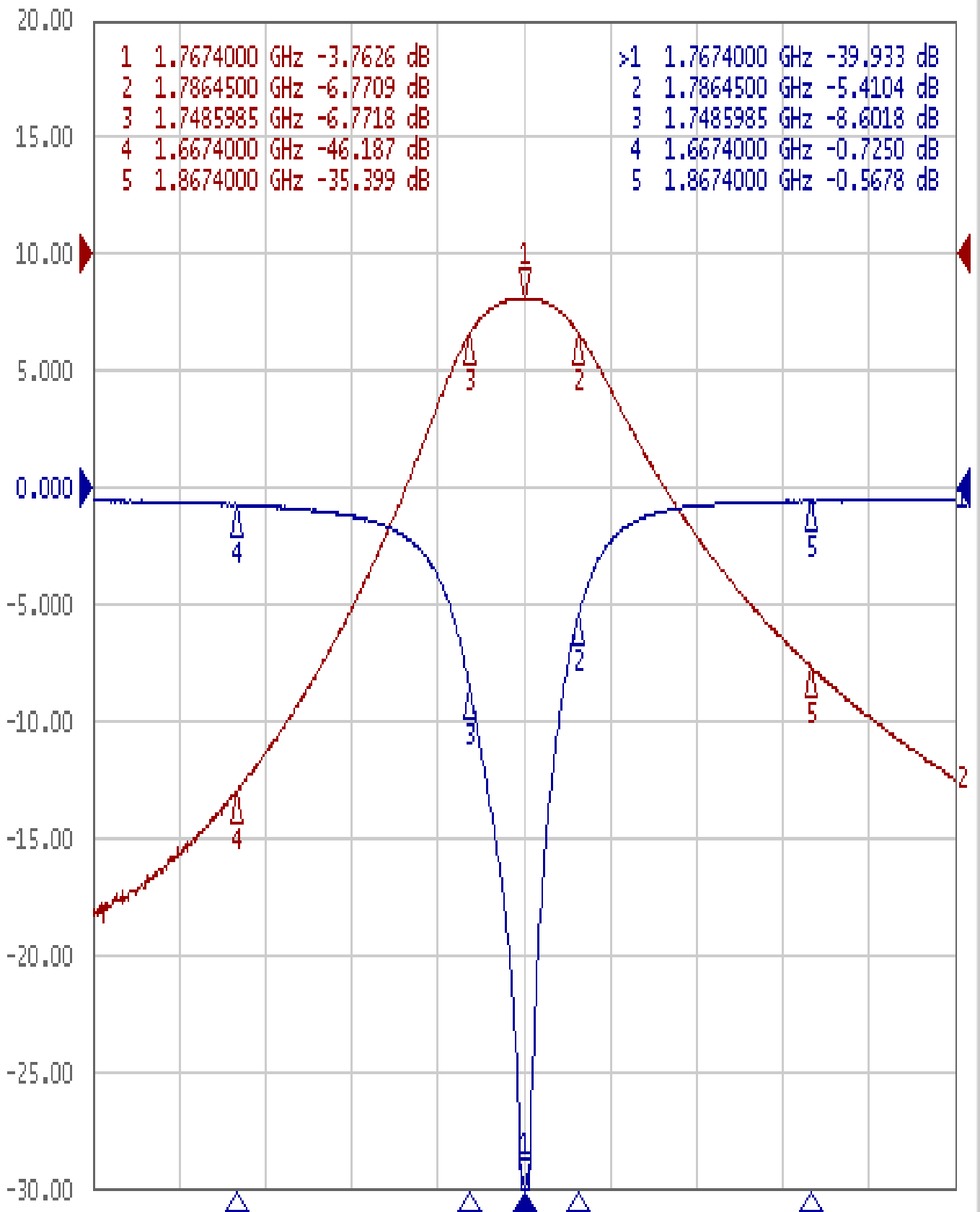
Approval C.Y.Chang	Supervisor C.K.Chang	Designer Z.Y.Wang	Aperture size 5W3S(3.8*4.0)(4.12) 5HW024RB3(J1)
-----------------------	-------------------------	----------------------	---

TEMWELL CORPORATION

# Performance-TTW31066B-1767.4M

201902010CD

▶ Tr1 S11 Log Mag 5.000dB/ Ref 0.000dB [F2]  
Tr2 S21 Log Mag 10.00dB/ Ref 0.000dB [F2]



1 Center 1.7674 GHz

IFBW 70 kHz

Span 300 MHz

Cor !