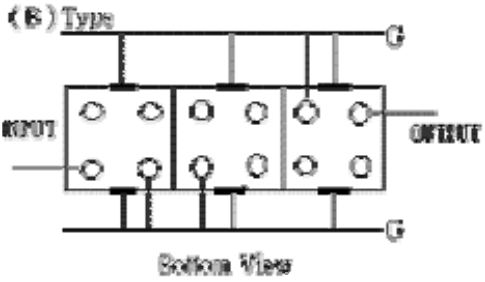
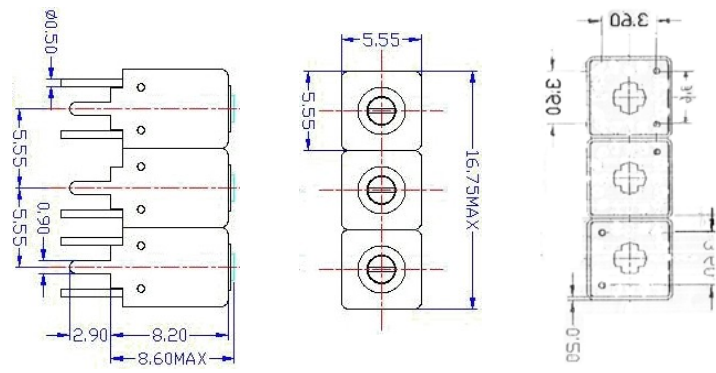


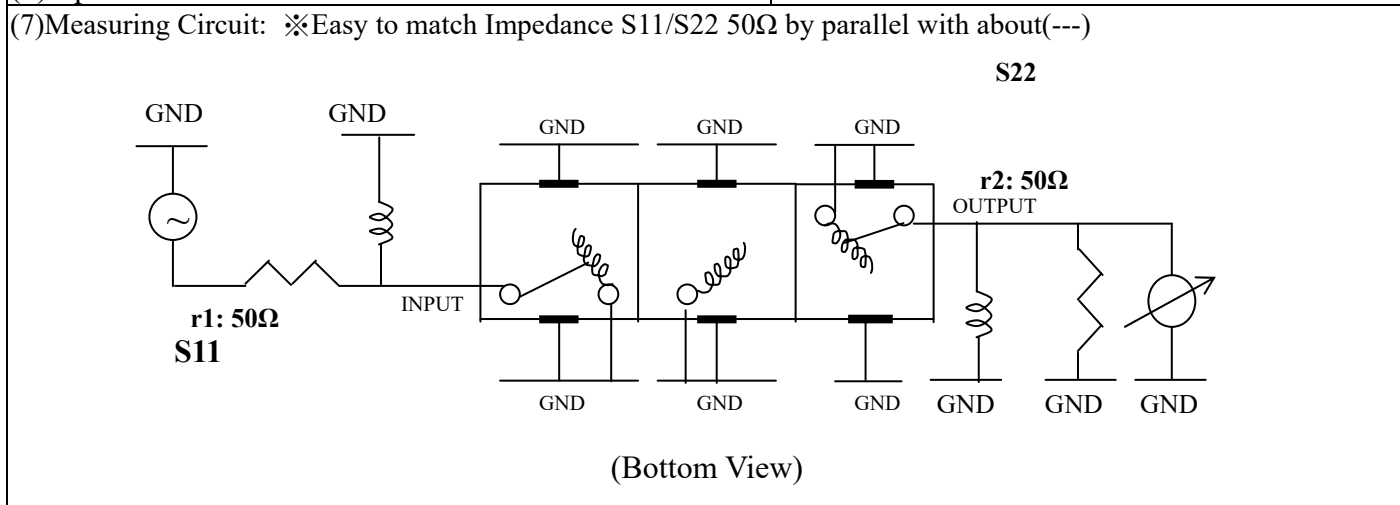
VHF UHF Helical Filter Specification Sheet

Customer Name		Temwell's Part No.	TTW31065B-1765M
Approval No. /dated	201902009CD	Temwell's Print Name	31065B 1765M
Work Instruction No.	201902009CD	Date	Mar.04.2019

(1) Pin Position	(2) Size Diagram
 <p>(B) Type Bottom View</p>	

(3) Electric Character			
Item		Specify	Performance
Center Freq.(Fo) +/- 0.5 %		1765 MHz	1765 MHz
Insertion Loss		Typ. 5.0 dB	4.09 dB
-3 dB Bandwidth		Typ. 30 MHz	34.0 MHz
Sensitivity (Attenuation)	Fo - 100 MHz	Typ. 38 dBc	43 dBc
	Fo + 100 MHz	Typ. 28 dBc	33 dBc
	Fo - ()MHz	Typ. dBc	dBc
	Fo +()MHz	Typ. dBc	dBc
Return Loss		Min. 12 dB	23.7 dB
Ripple		< 1 dB	dB
Impedance		In / Out : 50 Ω	In / Out : 50 Ω
(4) Torque for Tuning Screw		> 60gf · cm	

(5) Temperature Condition:	
Operating Temperature	0°C ~ +60°C
Storage Temperature	-20°C ~ +70°C
(6) Input Power	> 0.5Watt



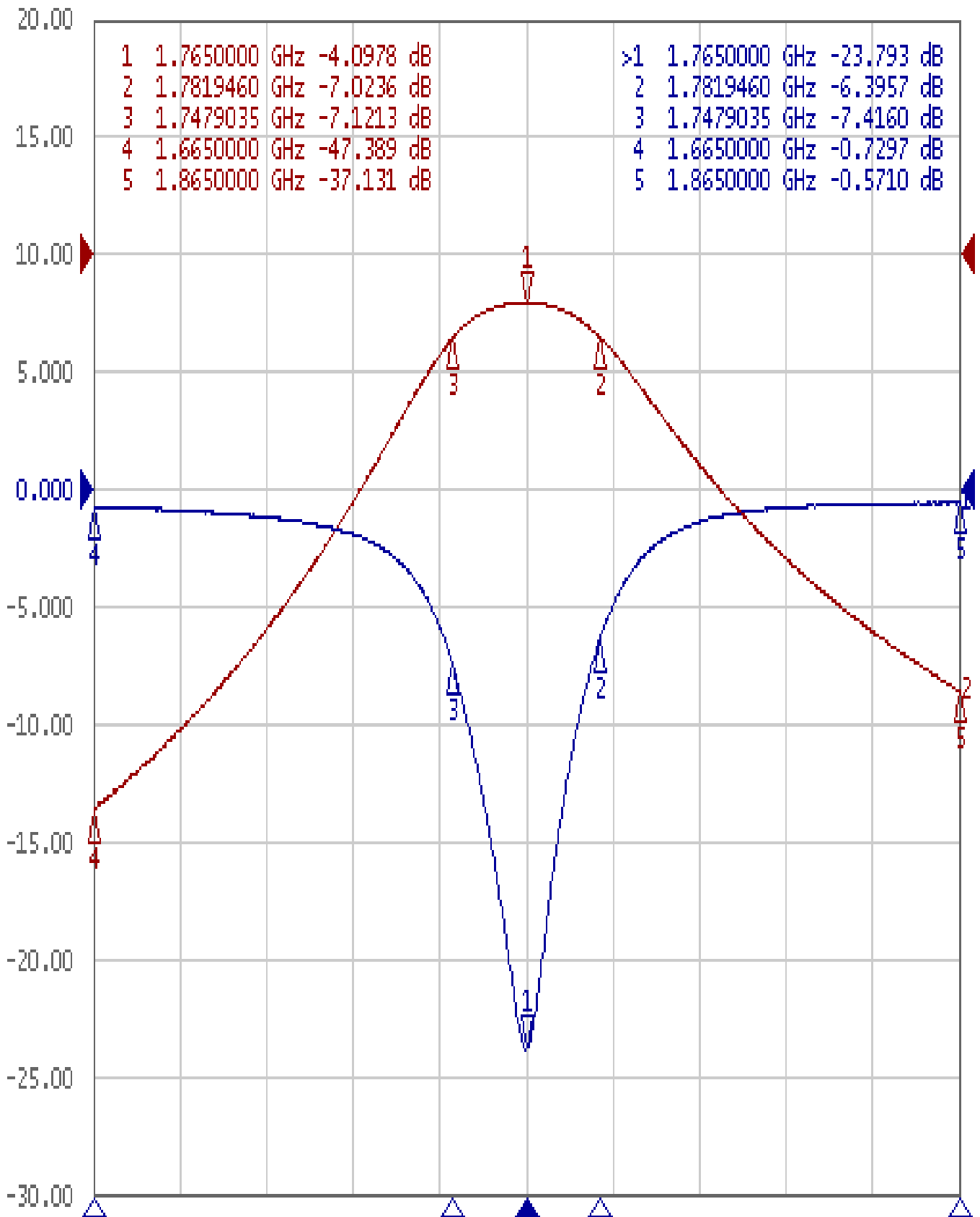
Approval C.Y.Chang	Supervisor C.K.Chang	Designer Z.Y.Wang	Aperture size 5W3S(3.8*3.5)(3.57) 5HW046RB3.2(J1)
-----------------------	-------------------------	----------------------	---

TEMWELL CORPORATION

Performance-TTW31065B-1765M

201902009CD

▶ Tr1 S11 Log Mag 5.000dB/ Ref 0.000dB [F2]
Tr2 S21 Log Mag 10.00dB/ Ref 0.000dB [F2]



1 Center 1.765 GHz

IFBW 70 kHz

Span 200 MHz

Cor !