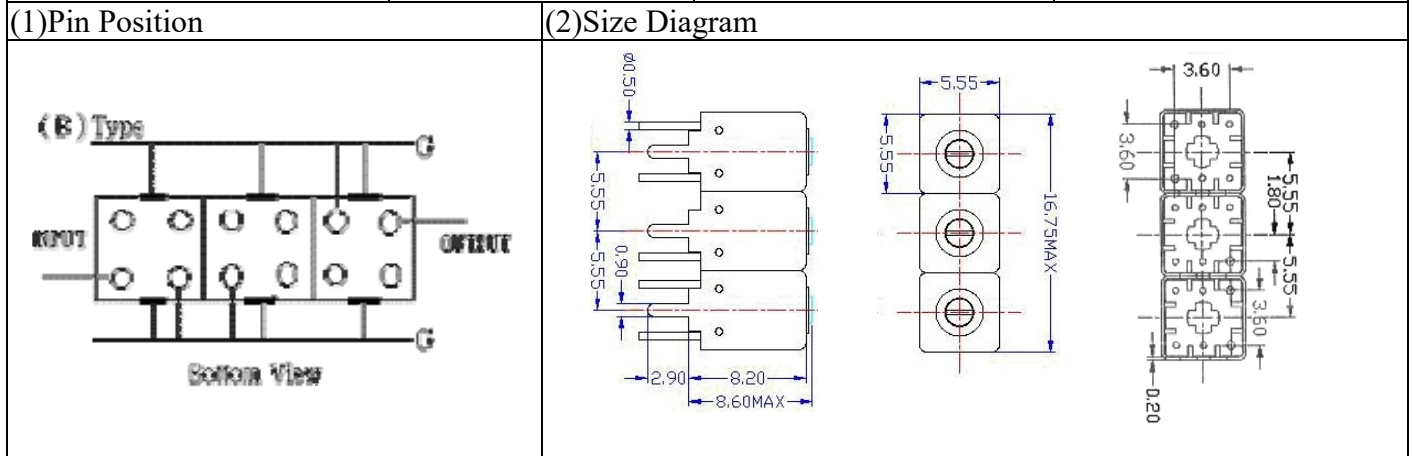


VHF UHF Helical Filter Specification Sheet

Customer Name		Temwell's Part No.	TTW31064B-1747.5M
Approval No. /dated	201902008CD	Temwell's Print Name.	31064B 1747.5M
Work Instruction No.	201902008CD	Date	Mar.27.2019



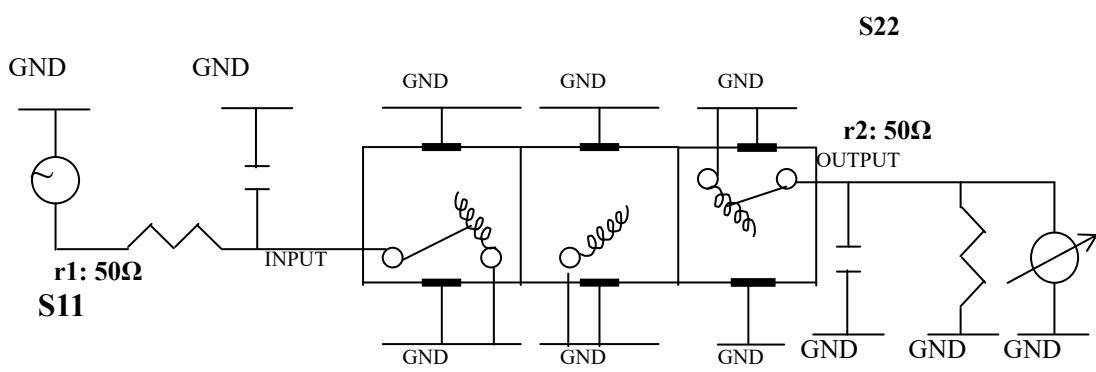
(3) Electric Character			
Item	Specify	Performance	
Center Freq.(Fo) +/- 0.5 %	1747.5 MHz	1747.5 MHz	
Insertion Loss	Typ. 3.0 dB	2.30 dB	
-3 dB Bandwidth	Typ. 75 MHz	77.4 MHz	
Sensitivity (Attenuation)	Fo - 150MHz	Typ. 32 dBc	41 dBc
	Fo +150MHz	Typ. 20 dBc	24 dBc
	Fo - ()MHz	Typ. dBc	dBc
	Fo +()MHz	Typ. dBc	dBc
Return Loss	Min. 12 dB	18.6 dB	
Ripple	< 1 dB	dB	
Impedance	In / Out : 50 Ω	In / Out : 50 Ω	

(4) Torque for Tuning Screw > 60gf · cm

(5) Temperature Condition:	
Operating Temperature	0°C ~ +60°C
Storage Temperature	-20°C ~ +70°C

(6) Input Power > 0.5Watt

(7) Measuring Circuit: ※Easy to match Impedance S11/S22 50Ω by parallel with about(--)



Approval C.Y.Chang	Supervisor C.K.Chang	Designer P.H.Chiang	Aperture size 5W3S(3.8*4.5)(4.55) 5HW046RB3.2
-----------------------	-------------------------	------------------------	---

TEMWELL CORPORATION

Performance-TTW31064B-1747.5M

201902008CD

