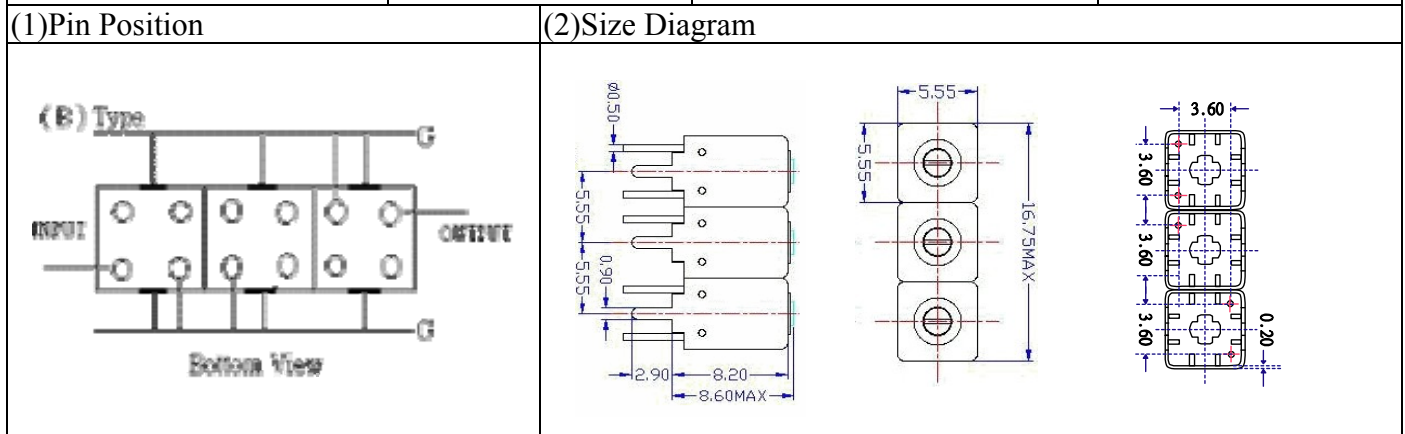


VHF UHF Helical Filter Specification Sheet

Customer Name		Temwell's Part No.	TTW31054B-2400M
Approval No. /dated	201711018CD	Temwell's Print Name.	31054B 2400M
Work Instruction No.	201711018CD	Date	Dec.13.2017



(3)Electric Character		Item	Specify	Performance
		Center Freq.(Fo) +/- 0.5 %	2400 MHz	2400 MHz
		Insertion Loss	Typ. 5.0 dB	4.12 dB
		-3 dB Bandwidth	Typ. 20 MHz	50.5 MHz
Sensitivity (Attenuation)	Fo - 150 MHz	Typ. 32 dBc		37 dBc
	Fo + 150 MHz	Typ. 24 dBc		29 dBc
	Fo - ()MHz	Typ. dBc		dBc
	Fo +()MHz	Typ. dBc		dBc
		Return Loss	Min. 12 dB	16.2 dB
		Ripple	< 1 dB	dB
		Impedance	In / Out : 50 Ω	In / Out : 50 Ω

(4)Torque for Tuning Screw > 60gf · cm

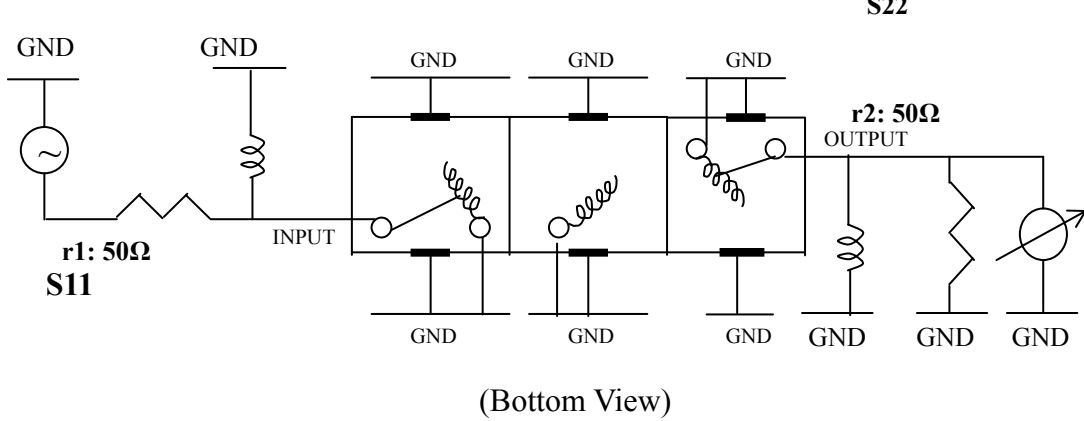
(5)Temperature Condition:

Operating Temperature 0°C ~ +60°C

Storage Temperature -20°C ~ +70°C

(6)Input Power > 0.5Watt

(7)Measuring Circuit: ※Easy to match Impedance S11/S22 50Ω by parallel with about(- -).



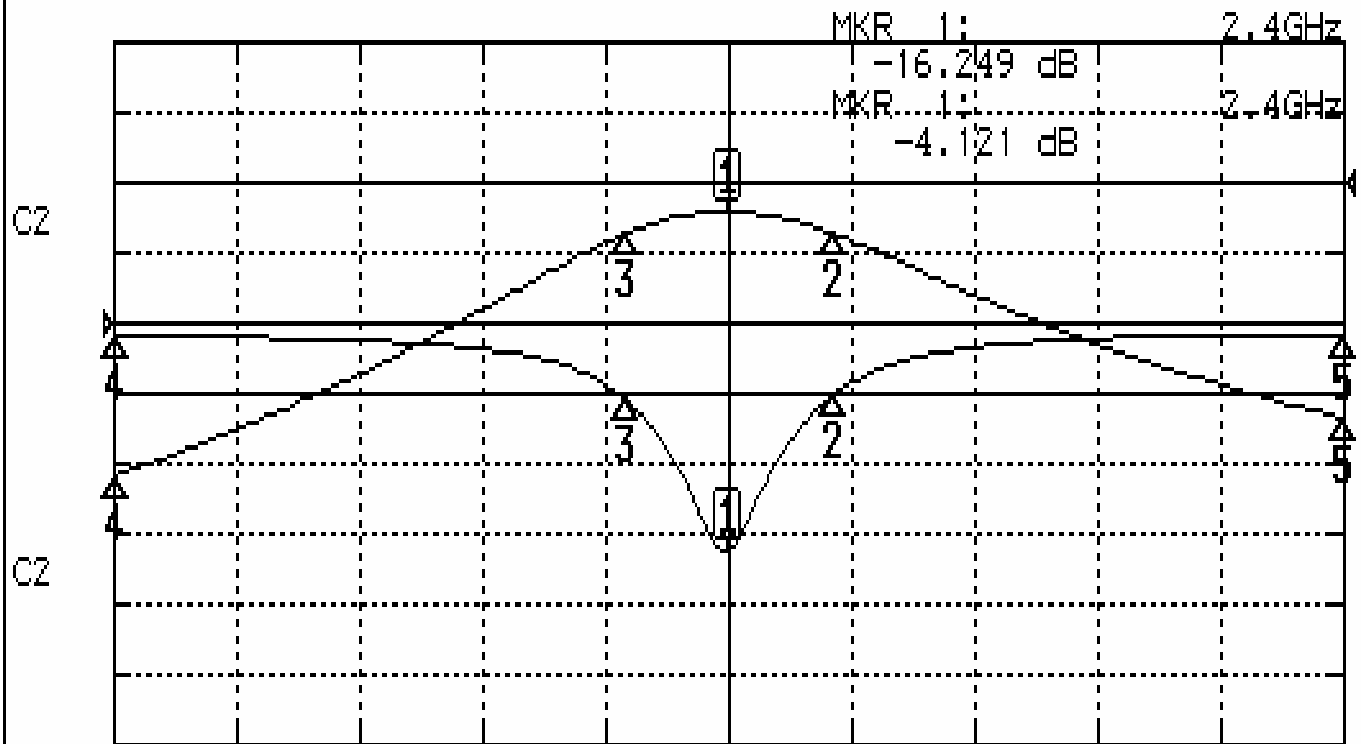
Approval	Supervisor	Designer	Aperture size
C.Y.Chang	C.K.Chang	M.Y.Kang	5W3S(3.8*3.5)(3.57) 5HW024RB3 (J1)

TEMWELL CORPORATION

Performance-TTW31054B-2400M

201711018CD

CH1 S11 LOG MAG REF 0.000 dB 5.000 dB/
CH2 S21 LOG MAG REF 0.000 dB 10.000 dB/



CENTER 2.4GHz

[10.00 dBm]

SPAN 300MHz

CH1 MARKER LIST

Marker	Freq (GHz)	Magnitude (dB)
1	2.400 000	-16.249
2	2.425 500	-5.109
3	2.375 000	-5.401
4	2.250 000	-0.859
5	2.550 000	-0.742

CH2 MARKER LIST

Marker	Freq (GHz)	Magnitude (dB)
1	2.400 000	-4.121
2	2.425 500	-7.172
3	2.375 000	-7.118
4	2.250 000	-41.692
5	2.550 000	-33.538