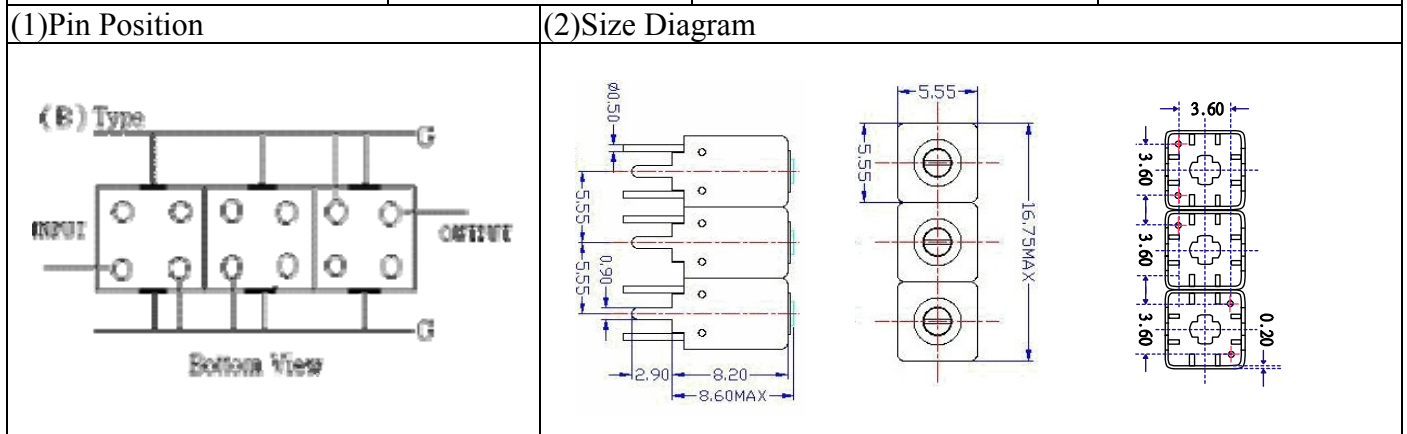


# VHF UHF Helical Filter Specification Sheet

Customer Name		Temwell's Part No.	TTW31053B-1800M
Approval No. /dated	201711017CD	Temwell's Print Name.	31053B 1800M
Work Instruction No.	201711017CD	Date	Dec.08.2017



(3) Electric Character			
Item		Specify	Performance
Center Freq.(Fo) +/- 0.5 %		1800 MHz	1800 MHz
Insertion Loss		Typ. 6.0 dB	4.79 dB
-3 dB Bandwidth		Typ. 20 MHz	34.2 MHz
Sensitivity (Attenuation)	Fo - 100 MHz	Typ. 38 dBc	42 dBc
	Fo + 100 MHz	Typ. 30 dBc	35 dBc
	Fo - ( )MHz	Typ. dBc	dBc
	Fo +( )MHz	Typ. dBc	dBc
Return Loss		Min. 12 dB	29.2 dB
Ripple		< 1 dB	dB
Impedance		In / Out : 50 Ω	In / Out : 50 Ω

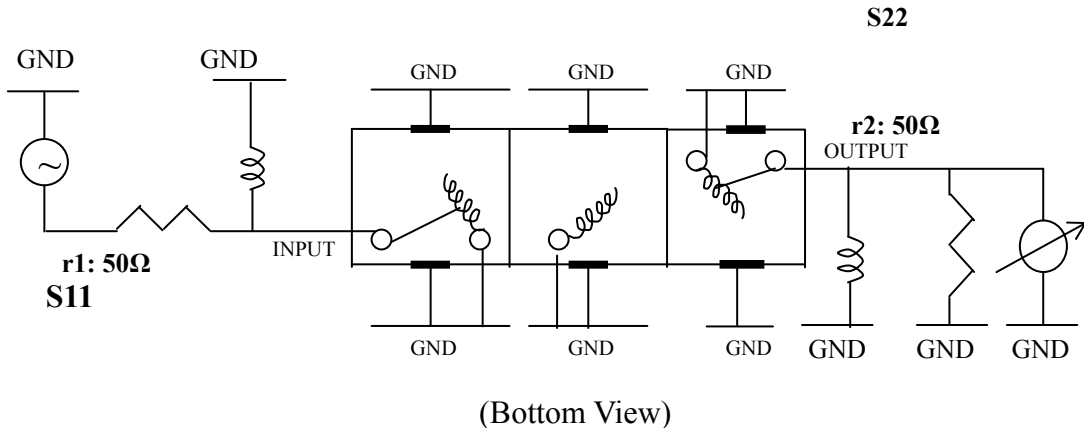
(4) Torque for Tuning Screw > 60gf · cm

(5) Temperature Condition:

Operating Temperature	0°C ~ +60°C
Storage Temperature	-20°C ~ +70°C

(6) Input Power > 0.5Watt

(7) Measuring Circuit: ※Easy to match Impedance S11/S22 50Ω by parallel with about(- -).



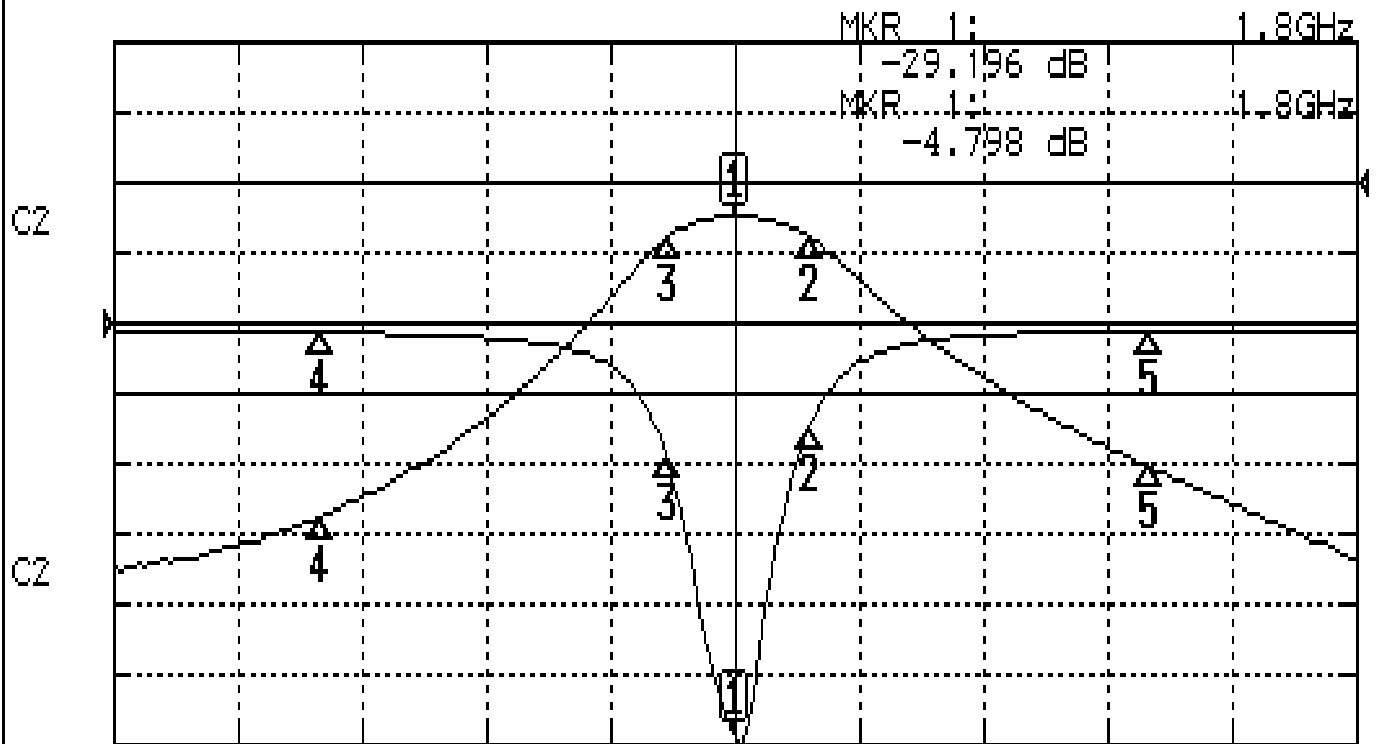
Approval	Supervisor	Designer	Aperture size
C.Y.Chang	C.K.Chang	M.Y.Kang	5W3S(3.8*3.5)(3.55) 5HW046RB3.2 (J1)

TEMWELL CORPORATION

# Performance-TTW31053B-1800M

## 201711017CD

CH1 S11 LOG MAG REF 0.000 dB 5.000 dB/  
CH2 S21 LOG MAG REF 0.000 dB 10.000 dB/



CENTER 1.8GHz

[ 10.00 dBm ]

SPAN 300MHz

### CH1 MARKER LIST

Marker	Freq (GHz)	Magnitude (dB)
1:	1.800 000	-29.218
2:	1.818 000	-7.490
3:	1.783 750	-9.561
4:	1.700 000	-0.638
5:	1.900 000	-0.537

### CH2 MARKER LIST

Marker	Freq (GHz)	Magnitude (dB)
1:	1.800 000	-4.798
2:	1.818 000	-7.758
3:	1.783 750	-7.800
4:	1.700 000	-47.322
5:	1.900 000	-40.457