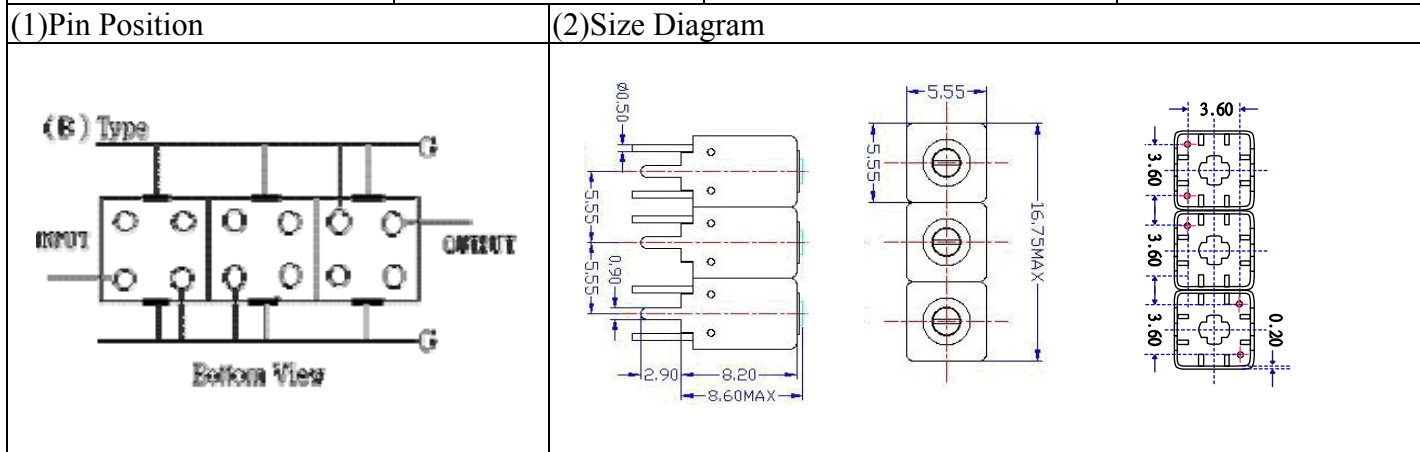


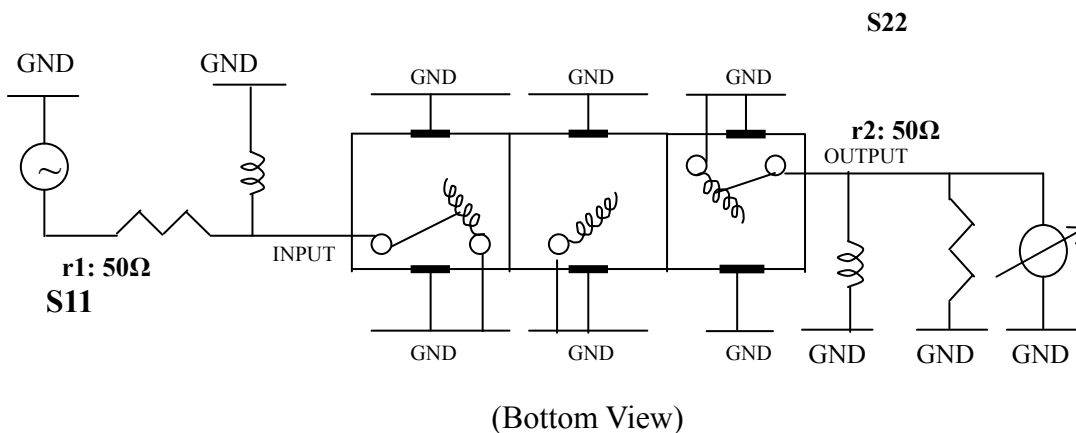
VHF UHF Helical Filter Specification Sheet

Customer Name		Temwell's Part No.	TTW31052B-915M
Approval No. /dated	201711016CD	Temwell's Print Name.	31052B 915M
Work Instruction No.	201711016CD	Date	Dec.06.2017



(3) Electric Character					
Item		Specify		Performance	
Center Freq.(Fo) +/- 0.5 %		915 MHz		915 MHz	
Insertion Loss		Typ. 8.0 dB		7.03 dB	
-3 dB Bandwidth		Typ. 5 MHz		10.6 MHz	
Sensitivity (Attenuation)	Fo - 50 MHz	Typ. 47 dBc		52 dBc	
	Fo + 50 MHz	Typ. 40 dBc		45 dBc	
	Fo - ()MHz	Typ. dBc		dBc	
	Fo + ()MHz	Typ. dBc		dBc	
Return Loss		Min. 12 dB		21.6 dB	
Ripple		< 1 dB		dB	
Impedance		In / Out : 50 Ω		In / Out : 50 Ω	
(4) Torque for Tuning Screw		> 60gf · cm			
(5) Temperature Condition:					
Operating Temperature		0°C ~ +60°C			
Storage Temperature		-20°C ~ +70°C			
(6) Input Power		> 0.5Watt			

(7) Measuring Circuit: ※Easy to match Impedance S11/S22 50Ω by parallel with about(- -).



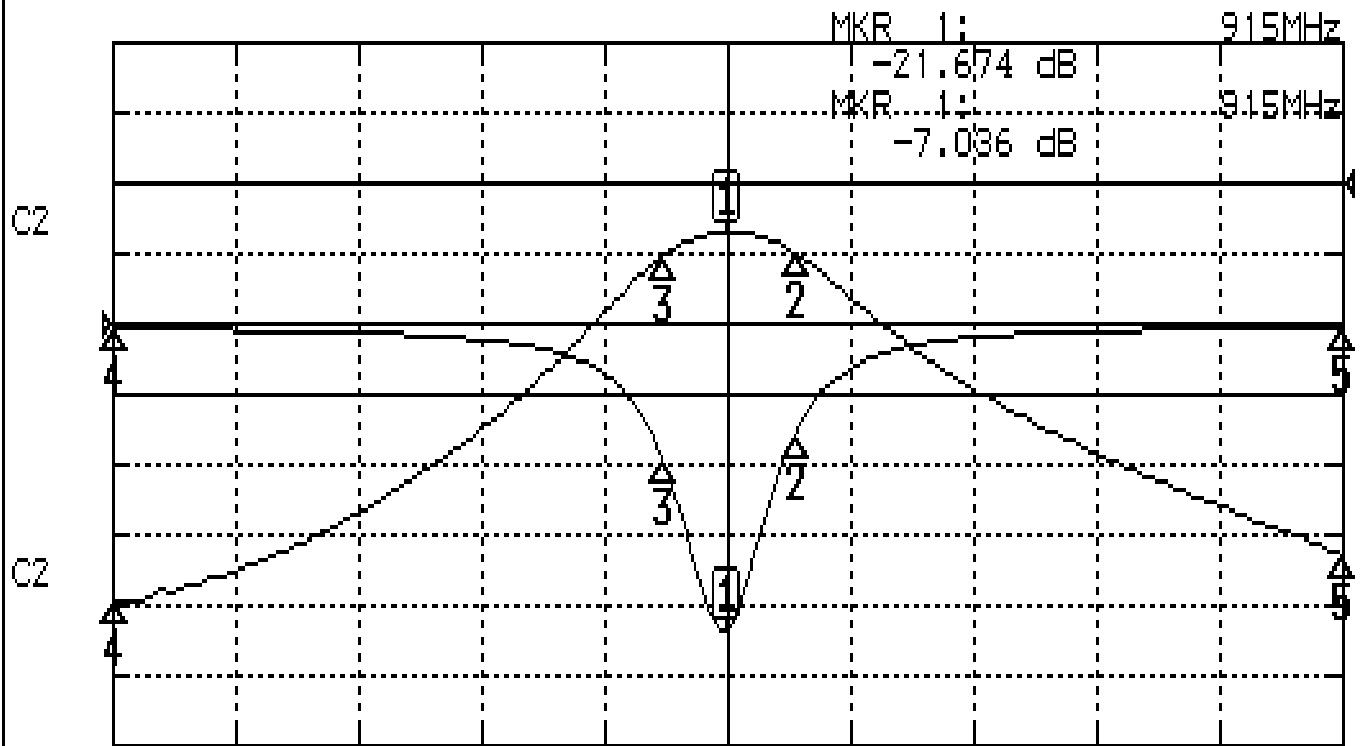
Approval	Supervisor	Designer	Aperture size
C.Y.Chang	C.K.Chang	M.Y.Kang	5W3S(3.8*3.5)(3.55) 5HW024RB3

TEMWELL CORPORATION

Performance-TTW31052B-915M

201711016CD

CH1 S11 LOG MAG REF 0.000 dB 5.000 dB/
CH2 S21 LOG MAG REF 0.000 dB 10.000 dB/



CENTER 915MHz

[10.00 dBm]

SPAN 100MHz

CH1 MARKER LIST

Marker	Frequency (MHz)	Magnitude (dB)
1	915.000	-21.674
2	920.583	-7.790
3	909.916	-9.947
4	865.000	-0.346
5	965.000	-0.305

CH2 MARKER LIST

Marker	Frequency (MHz)	Magnitude (dB)
1	915.000	-7.036
2	920.583	-10.008
3	909.916	-10.057
4	865.000	-59.399
5	965.000	-52.600