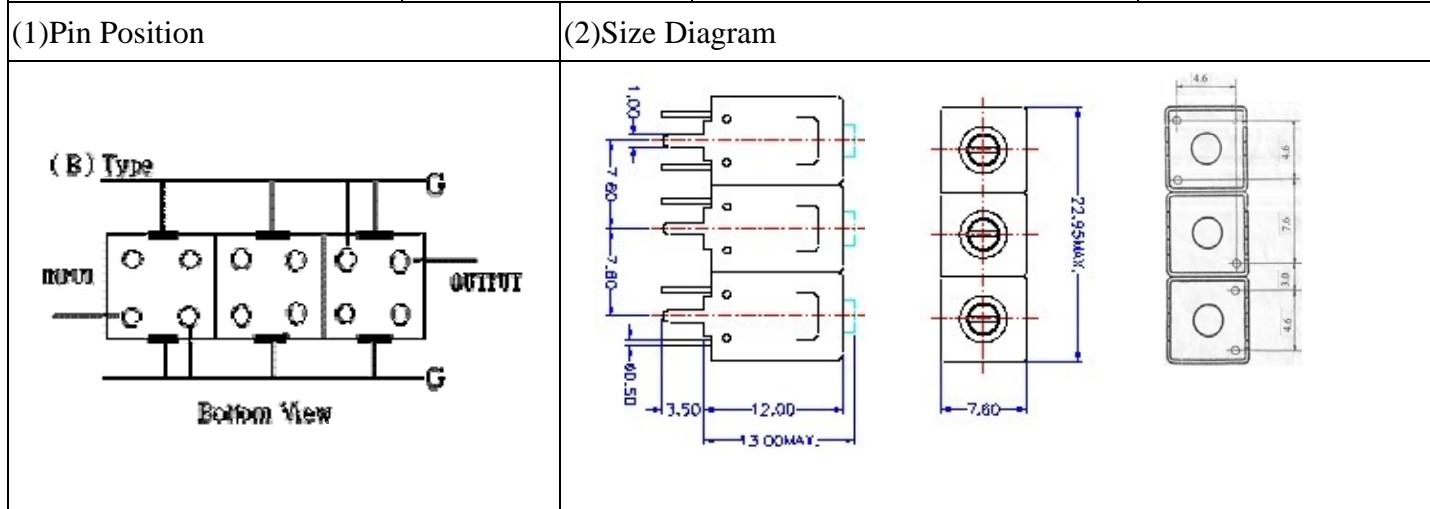


# VHF UHF Helical Filter Specification Sheet

Customer Name		Temwell's Part No.	TTL6858B1-529.5M
Approval No. /dated	20502043APR	Acceptable Specify Fo. Range	515~555MHz
Work Instruction No.	20502043DB	Date	Feb.23.2005



(3) Electric Character

Item	Specify	Performance
Center Freq.(Fo ) +/- 0.5 %	529.5 MHz	529.5 MHz
Tunable Range	529.5±5 MHz	529.5±5 MHz
Insertion Loss	Typ 5.5 dB	4.36 dB
-3 dB Bandwidth	Typ 6 MHz	8 MHz
Sensitivity (Attenuation)	Fo - 20 MHz	Typ. 36 dBc
	Fo + 20 MHz	Typ. 29 dBc
	Fo - ( )MHz	Typ. dBc
	Fo +( )MHz	Typ. dBc
Return Loss	Min. 12 dB	31 dB
Ripple	< 1 dB	dB
Impedance	In / Out : 75 Ω	In / Out : 75 Ω
(4) Torque for Tuning Screw	> 60gf • cm	

(5) Temperature Condition:

Operating Temperature	0°C ~ +60°C
Storage Temperature	-20°C ~ +70°C

(6) Input Power

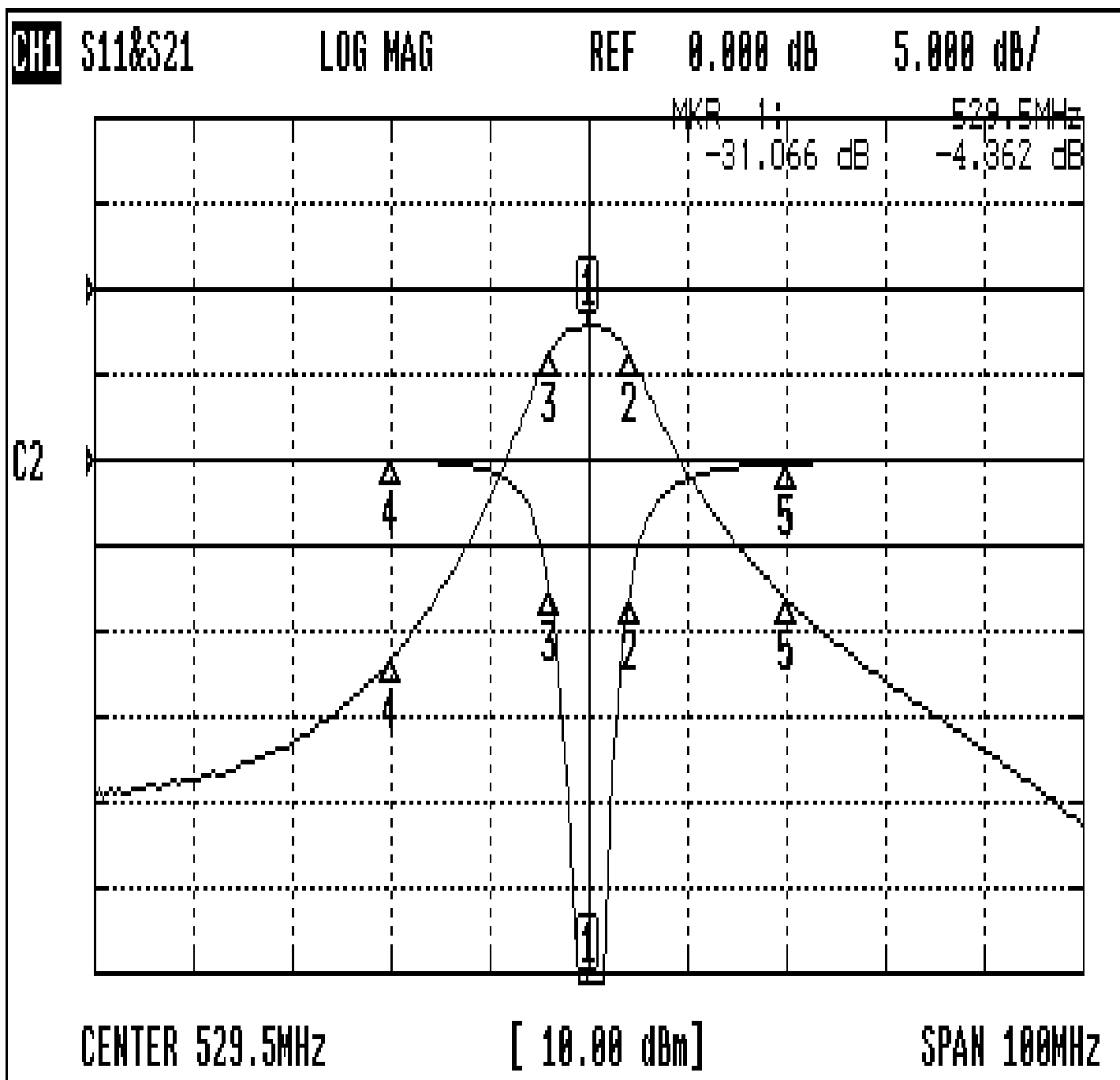
	> 1Watt
--	---------

Approval	Supervisor	Designer	Aperture size
C.Y. Chang	C.S. Chang	C.S.Chang	7H3 (4*4.65)4.69 7H046RB4

TEMWELL CORPORATION

# Performance- TTL6858B1-529.5M

## 20502043DB



### CH1 MARKER LIST

1:	529.500MHz	-31.066 dB	-4.362 dB
2:	533.583MHz	-8.227 dB	-7.400 dB
3:	525.583MHz	-7.762 dB	-7.434 dB
4:	509.500MHz	0.001 dB	-43.253 dB
5:	549.500MHz	-0.195 dB	-36.187 dB