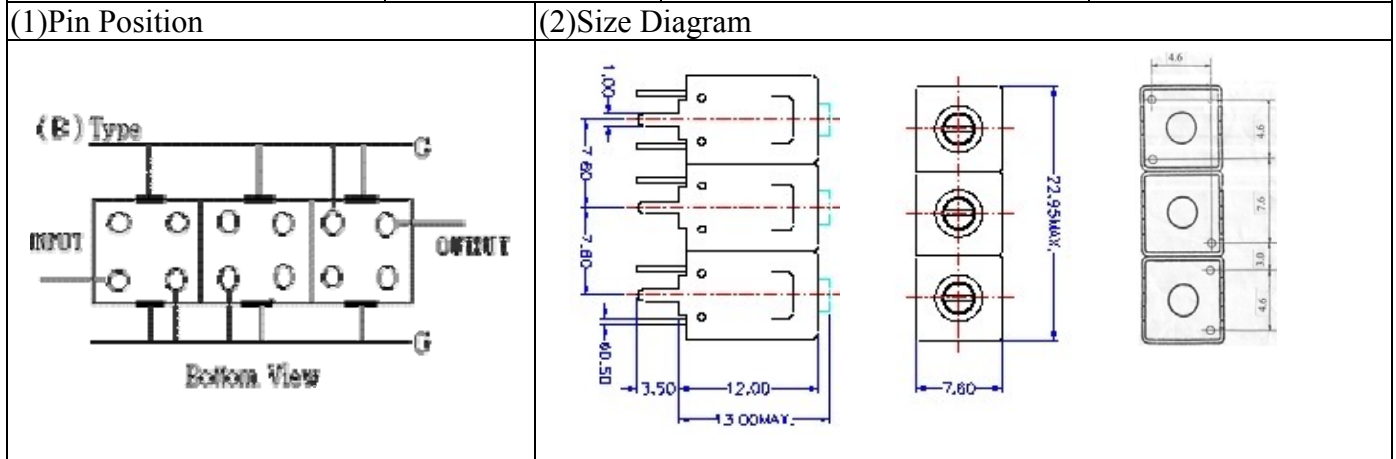


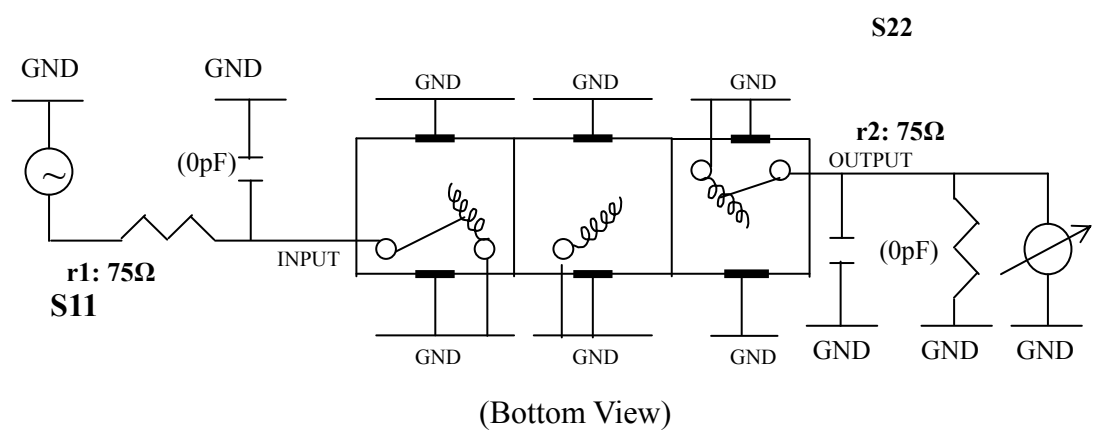
VHF UHF Helical Filter Specification Sheet

Customer Name		Temwell's Part No.	TTL6849A-463.25M
Approval No. /dated	20404027DB	Acceptable Specify Fo. Range	456~515MHz
Work Instruction No.	20404027DB	Date	Apr.08.2003



(3) Electric Character			
Item	Specify	Performance	
Center Freq.(Fo) +/- 0.5 %	463.25 MHz	463.25 MHz	
Tunable Range	463.25±5 MHz	463.25±5 MHz	
Insertion Loss	TYP. 9.5 dB	8.41 dB	
-3 dB Bandwidth	Typ. 3 MHz	4 MHz	
Sensitivity (Attenuation)	Fo - 7 MHz	Typ. 20 dBc	22 dBc
	Fo + 7 MHz	Typ. 15 dBc	17 dBc
	Fo - ()MHz	Typ. dBc	dBc
	Fo +()MHz	Typ. dBc	dBc
Return Loss	Min. 15 dB	30 dB	
Ripple	< 1 dB	dB	
Impedance	In / Out : 75 Ω	In / Out : 75 Ω	
(4) Torque for Tuning Screw		> 100gf · cm	
(5) Temperature Condition:			
Operating Temperature		0°C ~ +60°C	
Storage Temperature		-20°C ~ +70°C	
(6) Input Power		> 1Watt	

(7) Measuring Circuit: ※Easy to match Impedance S11/S22 75Ω by parallel with about(0 pF) / (0 pF).

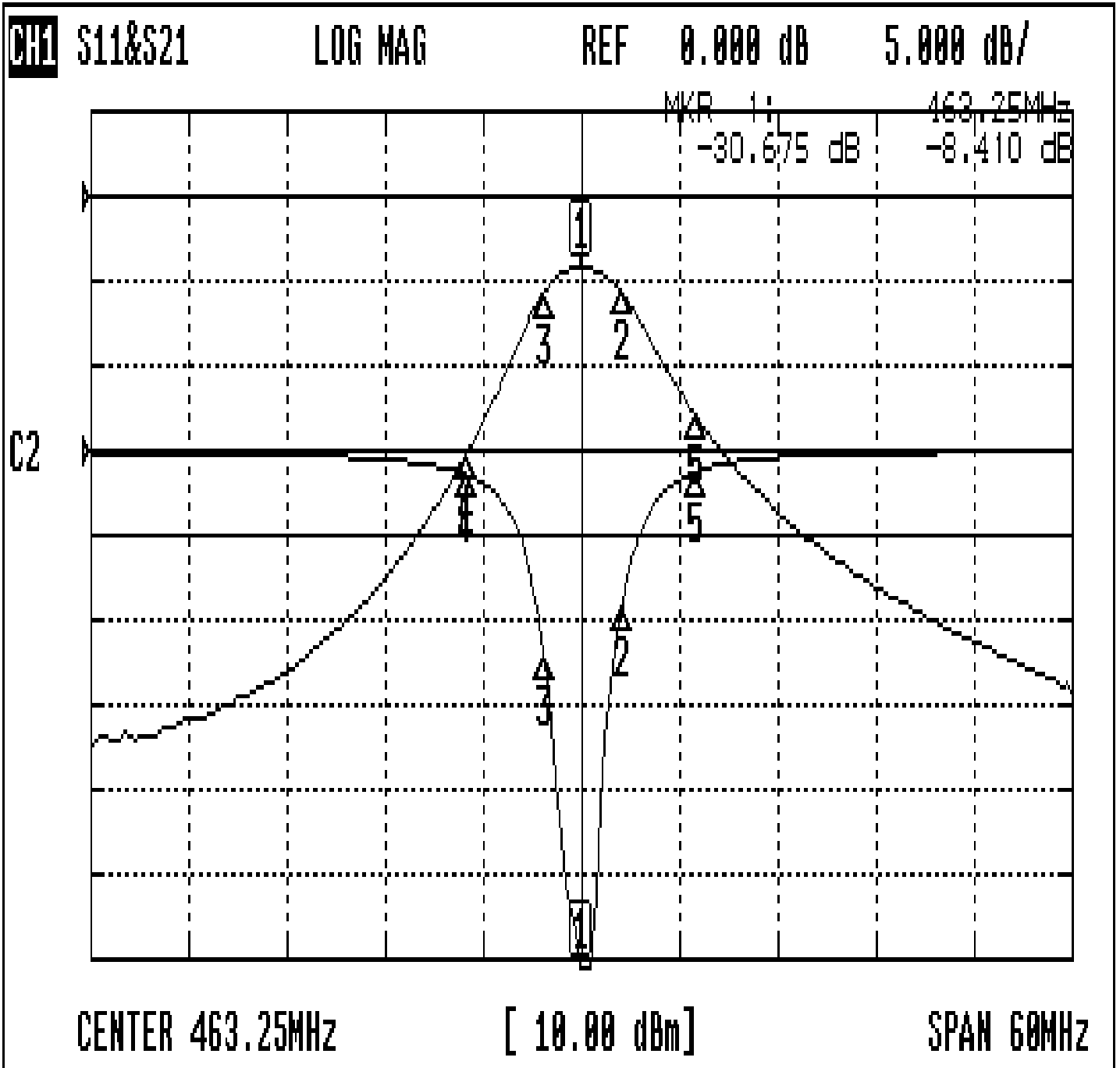


Approval	Supervisor	Designer	Aperture size
C.Y. Chang	C.S. Chang	C.S. Chang	7H3(4*4.65)(4*4.67) 7H046LB4 聚 3

TEMWELL CORPORATION

Performance-TTL6849A-463.25M

20404027DB



CH1 MARKER LIST

1:	463.250MHz	-30.675 dB	-8.410 dB
2:	465.750MHz	-9.180 dB	-11.376 dB
3:	461.000MHz	-12.142 dB	-11.371 dB
4:	456.250MHz	-1.446 dB	-30.451 dB
5:	470.250MHz	-1.252 dB	-25.833 dB