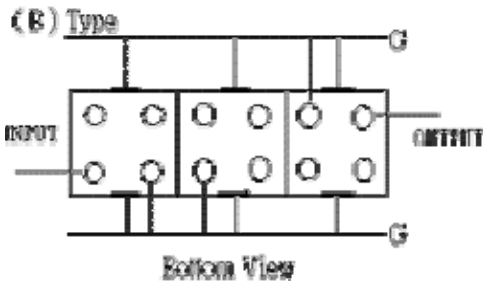


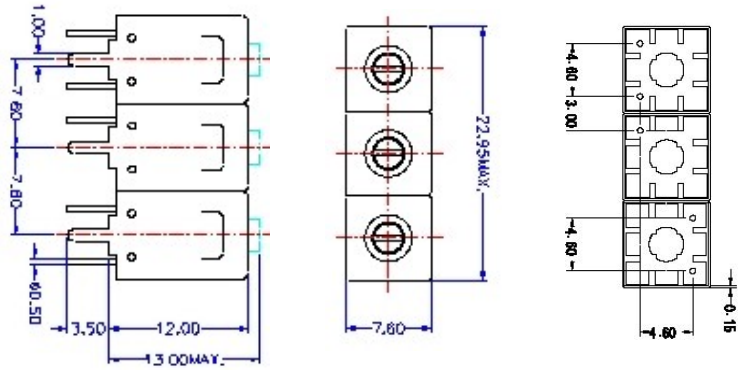
VHF UHF Helical Filter Specification Sheet

Customer Name		Temwell's Part No.	TTL67854B-365M
Approval No. /dated	0807022CD	Customer's Print Name.	356~400M
Work Instruction No.	0807022CD	Date	Jul.22.2008

(1) Pin Position



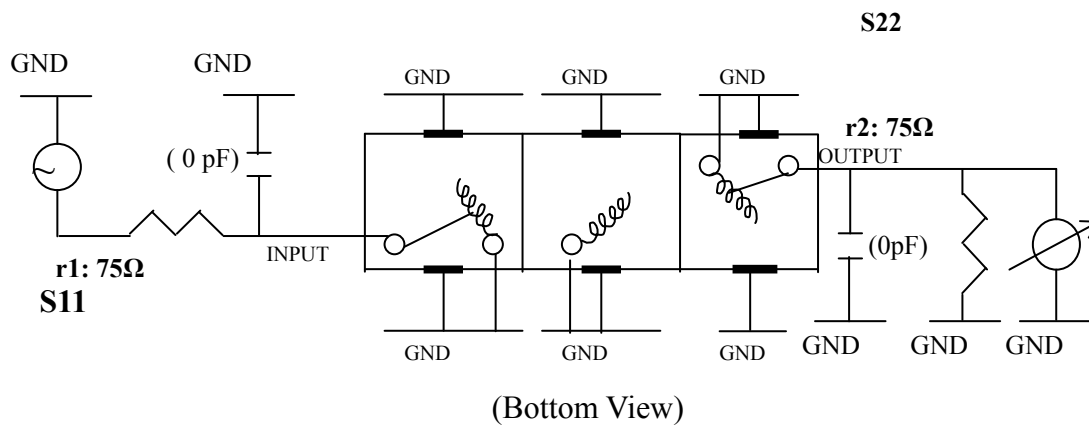
(2) Size Diagram



(3) Electric Characteristic

Item	Specify	Performance	
Center Freq.(Fo) +/- 0.5 %	365 MHz	365 MHz	
Tunable Range:	365±3 MHz	365±3 MHz	
Insertion Loss	Typ. 2.0 dB	0.56 dB	
-3 dB Bandwidth	Typ. 77 MHz	79.3 MHz	
Sensitivity (Attenuation)	Fo - (100) MHz	Typ. 28 dBc	31 dBc
	Fo + (100) MHz	Typ. 14 dBc	17 dBc
	Fo - () MHz	Typ. dBc	dBc
	Fo + () MHz	Typ. dBc	dBc
Return Loss	Min. 12 dB	25.0 dB	
Ripple	< 1 dB	dB	
Impedance	In / Out : 75 Ω	In / Out : 75 Ω	
(4) Torque for Tuning Screw	> 100gf · cm		
(5) Temperature Condition:			
Operating Temperature	0°C ~ +60°C		
Storage Temperature	-20°C ~ +70°C		
(6) Input Power	> 1Watt		

(7) Measuring Circuit: ※Easy to match Impedance S11/S22 75Ω by parallel with about(0pF) / (0pF).



Approval	Supervisor	Designer	Aperture size
C.Y.Chang	C.S.Chang	C.S.Chang	7H3(4*7.5F) (7H046RB6.5)

TEMWELL CORPORATION

TEMWELL

Form10-7H3B Vision D

RP(C.S.C)

Performance-TTL67854B-365M

0807022CD



Ch1	Tr1	S11	>1	365.00000	MHz	-25.006	dB
Ch1	Tr1	S11	2	405.30000	MHz	-3.5771	dB
Ch1	Tr1	S11	3	326.00100	MHz	-3.7644	dB
Ch1	Tr1	S11	4	265.00000	MHz	-0.1832	dB
Ch1	Tr1	S11	5	465.00000	MHz	-0.3408	dB
Ch1	Tr2	S21	1	365.00000	MHz	-0.5634	dB
Ch1	Tr2	S21	2	405.30000	MHz	-3.5967	dB
Ch1	Tr2	S21	3	326.00100	MHz	-3.5863	dB
Ch1	Tr2	S21	4	265.00000	MHz	-32.066	dB
Ch1	Tr2	S21	5	465.00000	MHz	-18.437	dB