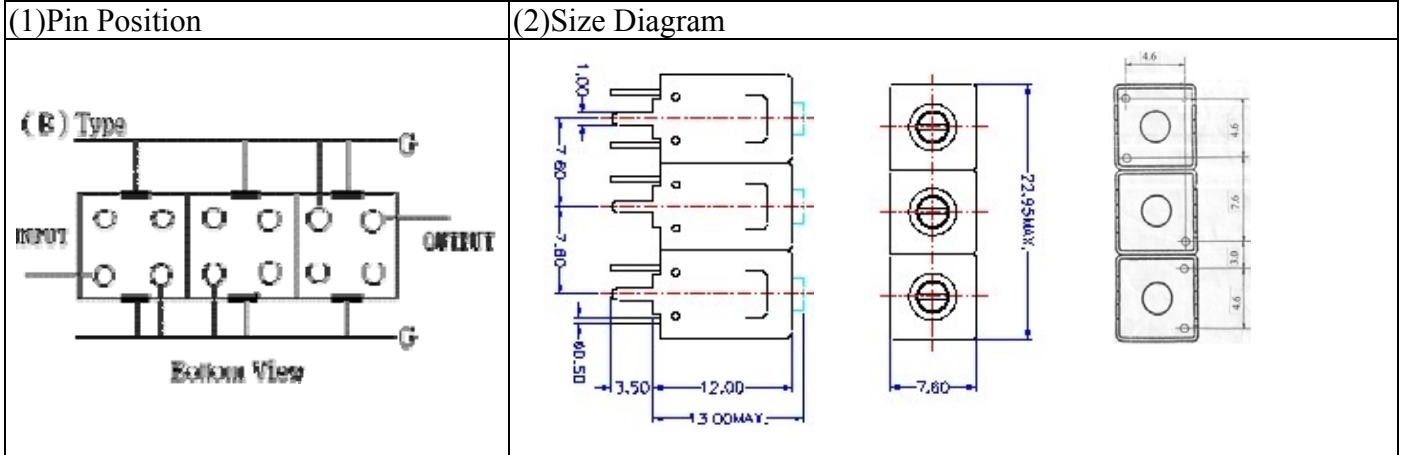


VHF UHF Helical Filter Specification Sheet

Customer Name		Temwell's Part No.	TTL67836B-658M
Approval No. /dated	0510118APR	Acceptable Specify Fo Range	641~660MHz
Work Instruction No.	0510118DB	Date	Oct.24.2005



(3) Electric Character

Item	Specify	Performance	
Center Freq.(Fo) +/- 0.5 %	658 MHz	658 MHz	
Tunable Range	658±5 MHz	658±5 MHz	
Insertion Loss	Typ. 4.5 dB	3.78 dB	
-3 dB Bandwidth	Typ. 9 MHz	13.5 MHz	
Sensitivity (Attenuation)	Fo - 50 MHz	Typ. 47 dBc	50 dBc
	Fo + 50 MHz	Typ. 37 dBc	40 dBc
	Fo - ()MHz	Typ. dBc	dBc
	Fo +()MHz	Typ. dBc	dBc
Return Loss	Min. 12 dB	26 dB	
Ripple	< 1 dB	dB	
Impedance	In / Out : 75 Ω	In / Out : 75 Ω	
(4) Torque for Tuning Screw	> 60gf · cm		

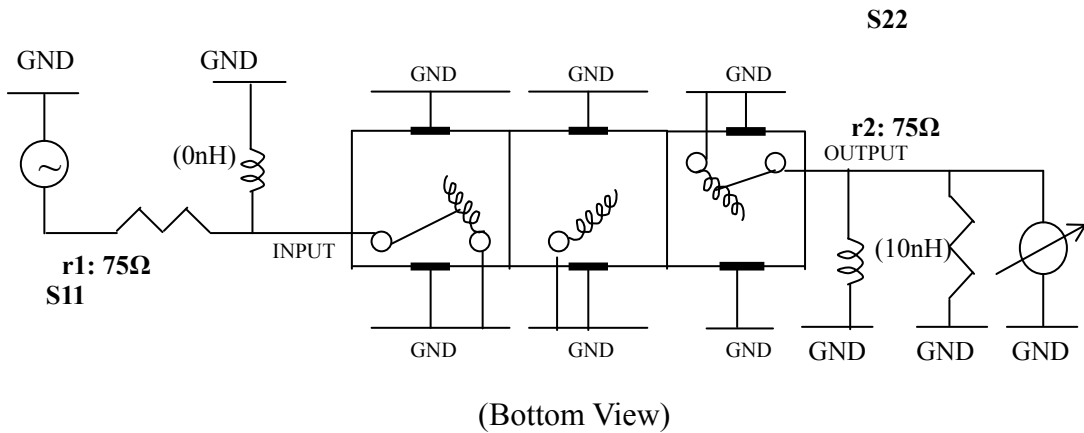
(5) Temperature Condition:

Operating Temperature	0°C ~ +60°C
Storage Temperature	-20°C ~ +70°C

(6) Input Power

> 1Watt

(7) Measuring Circuit: ※Easy to match Impedance S11/S22 75Ω by parallel with about(0 nH) / (10 nH).



Approval	Supervisor	Designer	Aperture size
C.Y. Chang	C.S. Chang	C.S. Chang	7H3S(4*4.65) 7H046RB4

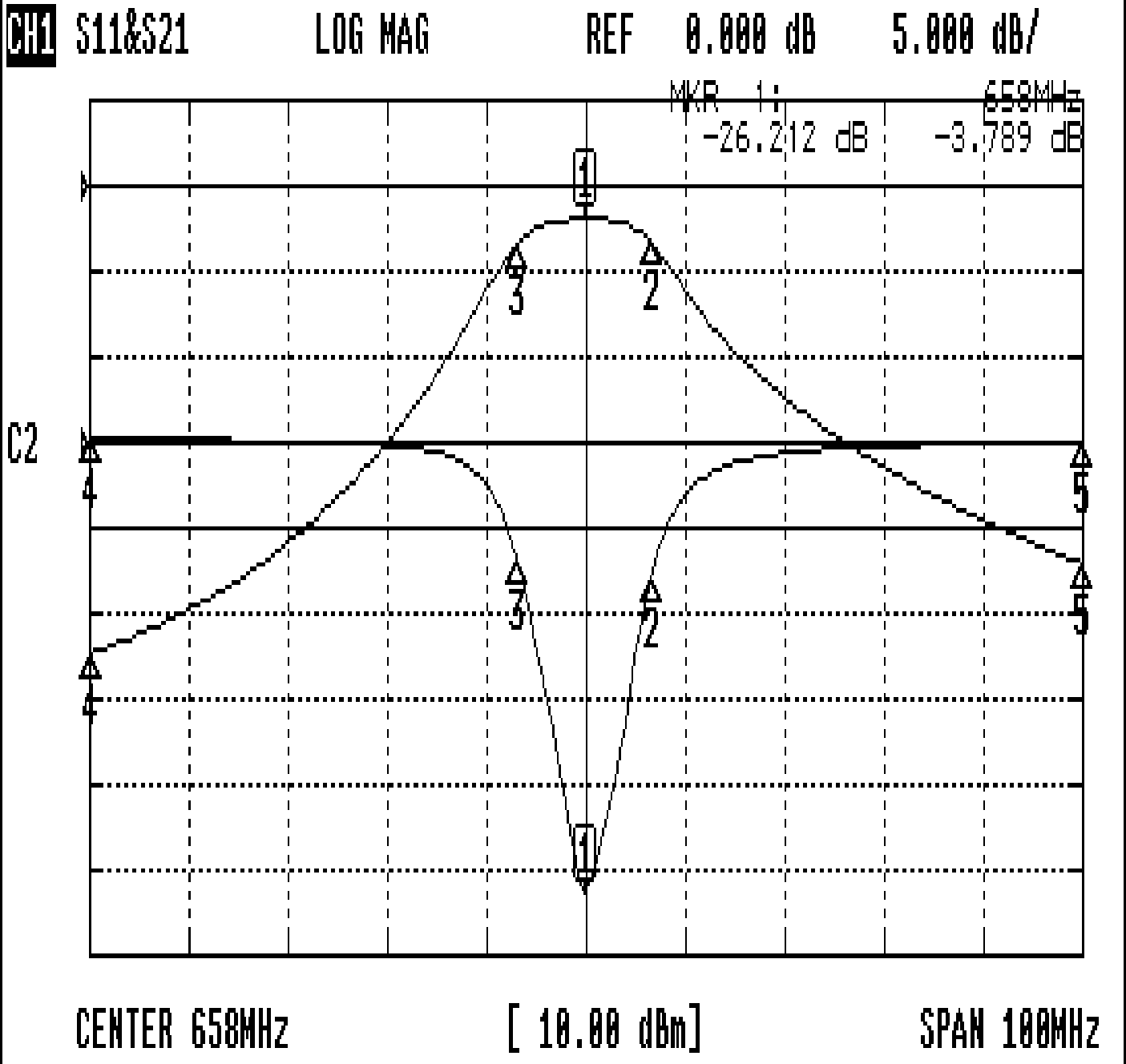
TEMWELL CORPORATION

TEMWELL

Form10-7H3B Vision D

Performance-TTL67836B-658M

0510118DB



CH1 MARKER LIST

1:	658.000MHz	-26.212 dB	-3.789 dB
2:	664.666MHz	-7.730 dB	-6.791 dB
3:	651.166MHz	-6.945 dB	-6.754 dB
4:	608.000MHz	0.154 dB	-54.431 dB
5:	708.000MHz	0.025 dB	-44.146 dB