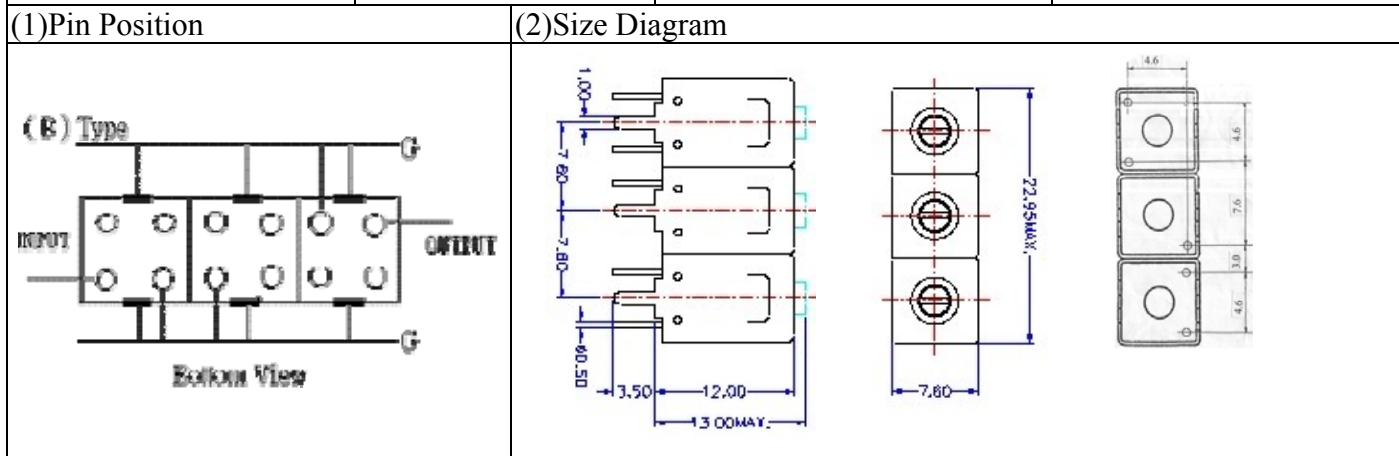


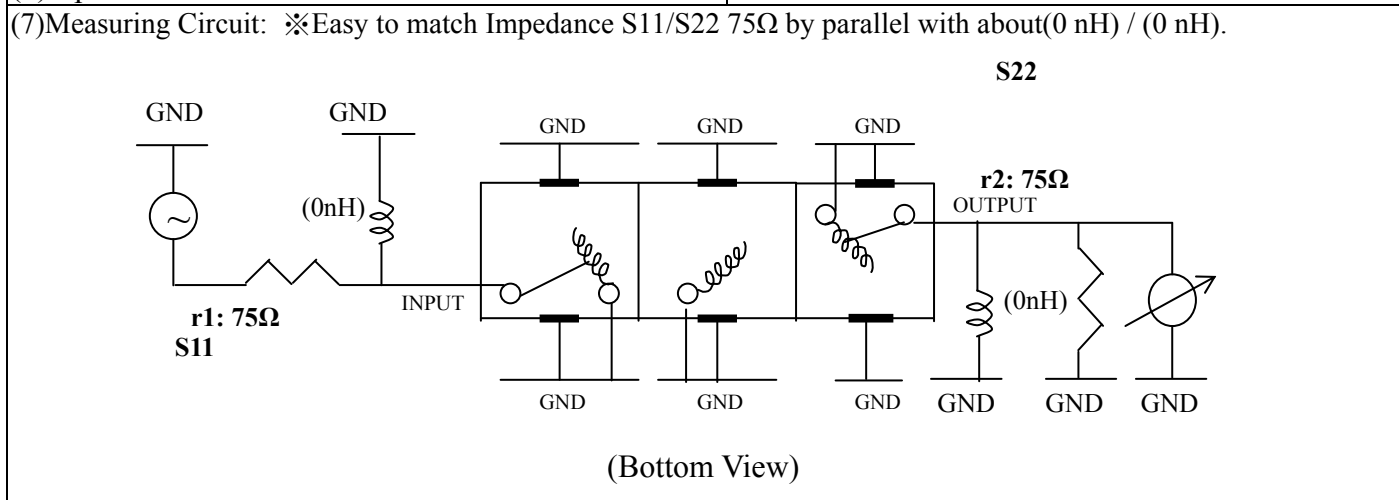
VHF UHF Helical Filter Specification Sheet

Customer Name		Temwell's Part No.	TTL67835B-626M
Approval No. /dated	0510117APR	Acceptable Specify Fo Range	596~640MHz
Work Instruction No.	0510117DB	Date	Oct.25.2005



(3) Electric Character			
Item		Specify	Performance
Center Freq.(Fo) +/- 0.5 %		626 MHz	626 MHz
Tunable Range		626±5 MHz	626±5 MHz
Insertion Loss		Typ. 4.5 dB	3.46 dB
-3 dB Bandwidth		Typ. 9 MHz	14.6 MHz
Sensitivity (Attenuation)	Fo - 50 MHz	Typ. 46 dBc	49 dBc
	Fo + 50 MHz	Typ. 35 dBc	38 dBc
	Fo - ()MHz	Typ. dBc	dBc
	Fo + ()MHz	Typ. dBc	dBc
Return Loss		Min. 12 dB	33 dB
Ripple		< 1 dB	dB
Impedance		In / Out : 75 Ω	In / Out : 75 Ω
(4) Torque for Tuning Screw		> 60gf · cm	

(5) Temperature Condition:	
Operating Temperature	0°C ~ +60°C
Storage Temperature	-20°C ~ +70°C
(6) Input Power	> 1Watt

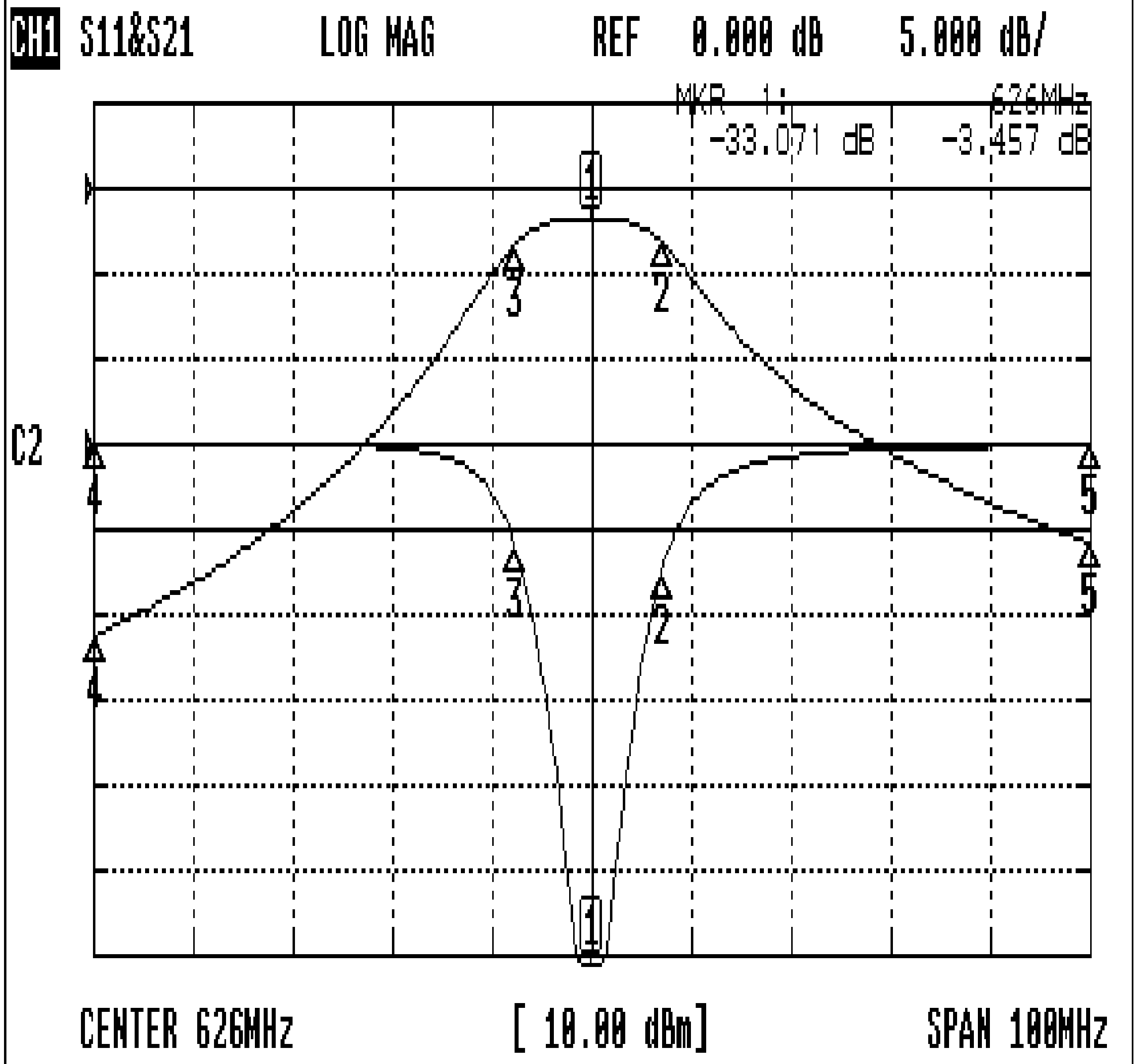


Approval	Supervisor	Designer	Aperture size
C.Y. Chang	C.S. Chang	C.S. Chang	7H3S(4*4.65) 7H046RB4

TEMWELL CORPORATION

Performance-TTL67835B-626M

0510117DB



CH1 MARKER LIST

1:	626.000MHz	-33.172 dB	-3.463 dB
2:	633.083MHz	-7.427 dB	-6.416 dB
3:	618.416MHz	-6.170 dB	-6.483 dB
4:	576.000MHz	0.113 dB	-52.430 dB
5:	676.000MHz	-0.050 dB	-41.622 dB