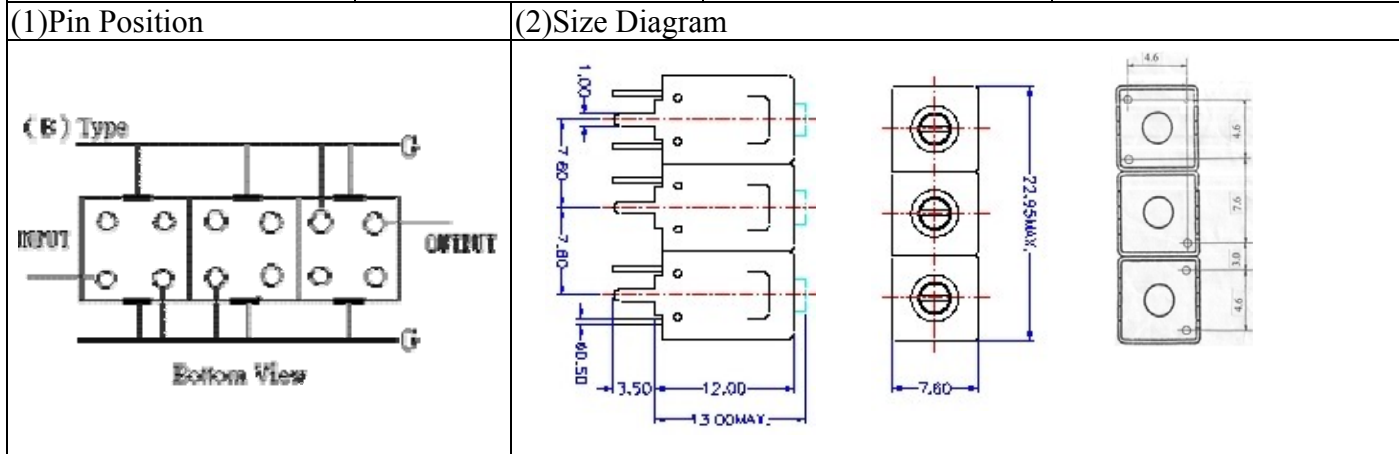


VHF UHF Helical Filter Specification Sheet

Customer Name		Temwell's Part No.	TTL67834B-579M
Approval No. /dated	0510116APR	Temwell's print name.	67834B 579M
Work Instruction No.	0510116DB	Date	Oct.25.2005



(3) Electric Character

Item	Specify	Performance	
Center Freq.(Fo) +/- 0.5 %	579 MHz	579 MHz	
Tunable Range	579±5 MHz	579±5 MHz	
Insertion Loss	Typ. 4.5 dB	3.35 dB	
-3 dB Bandwidth	Typ. 9 MHz	12.6 MHz	
Sensitivity (Attenuation)	Fo - 50 MHz	Typ. 52 dBc	55 dBc
	Fo + 50 MHz	Typ. 41 dBc	44 dBc
	Fo - ()MHz	Typ. dBc	dBc
	Fo + ()MHz	Typ. dBc	dBc
Return Loss	Min. 12 dB	31.2 dB	
Ripple	< 1 dB	dB	
Impedance	In / Out : 75 Ω	In / Out : 75 Ω	

(4) Torque for Tuning Screw > 100gf · cm

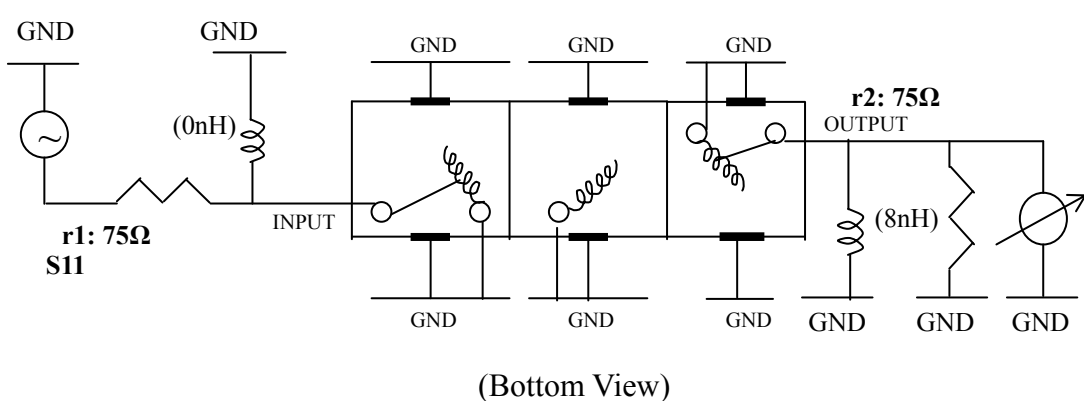
(5) Temperature Condition:

Operating Temperature 0°C ~ +60°C

Storage Temperature -20°C ~ +70°C

(6) Input Power > 1Watt

(7) Measuring Circuit: ※Easy to match Impedance S11/S22 75Ω by parallel with about(0 nH) / (8 nH).



Approval	Supervisor	Designer	Aperture size
C.Y. Chang	C.S. Chang	C.S. Chang	7H3S(4*4.65) 7H046RB4

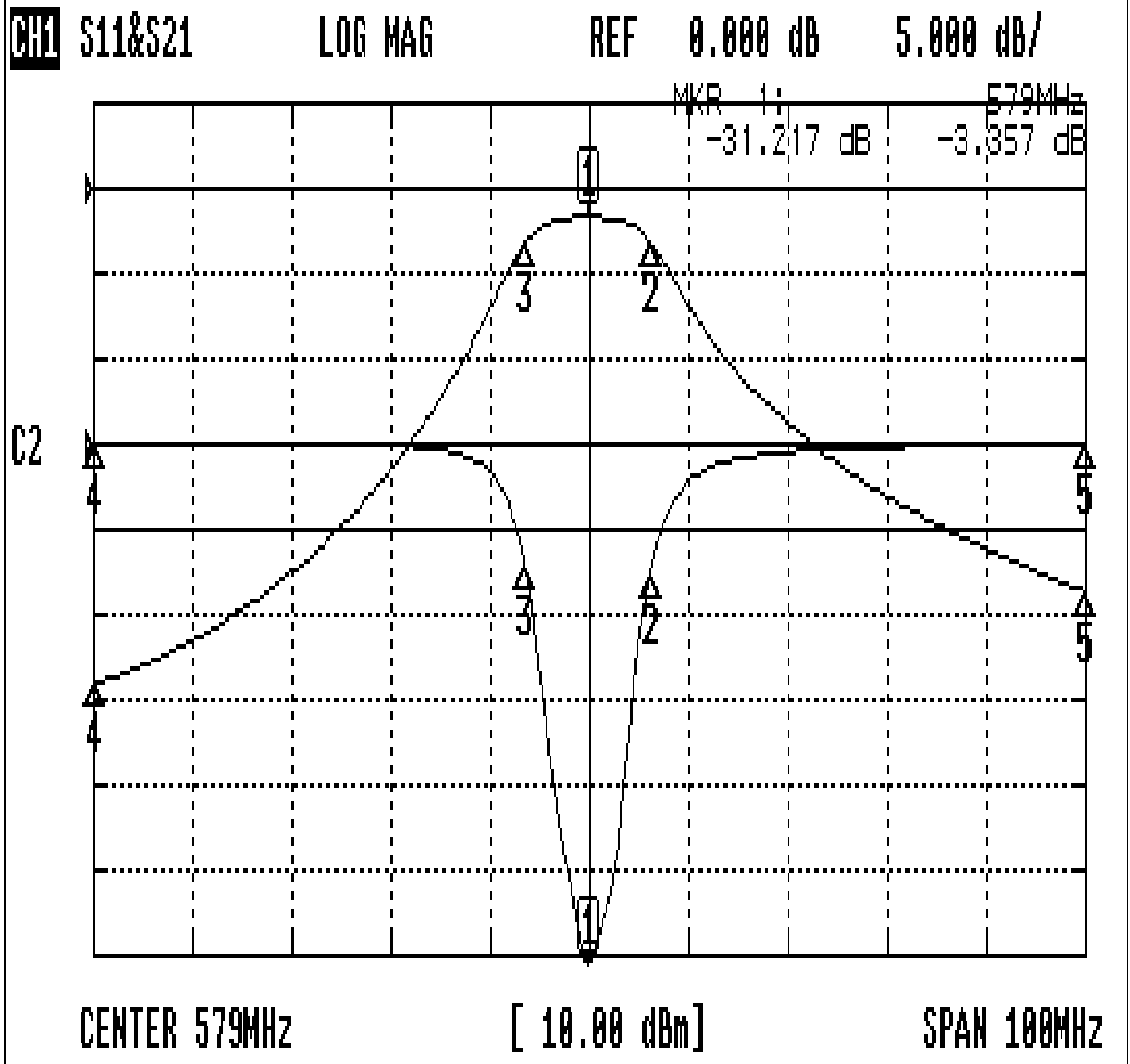
TEMWELL CORPORATION

TEMWELL

Form10-7H3B Vision D

Performance-TTL67834B-579M

0510116DB



CH1 MARKER LIST

1:	579.000MHz	-31.217 dB	-3.357 dB
2:	585.166MHz	-7.608 dB	-6.352 dB
3:	572.583MHz	-7.116 dB	-6.411 dB
4:	529.000MHz	0.110 dB	-58.201 dB
5:	629.000MHz	0.005 dB	-47.345 dB