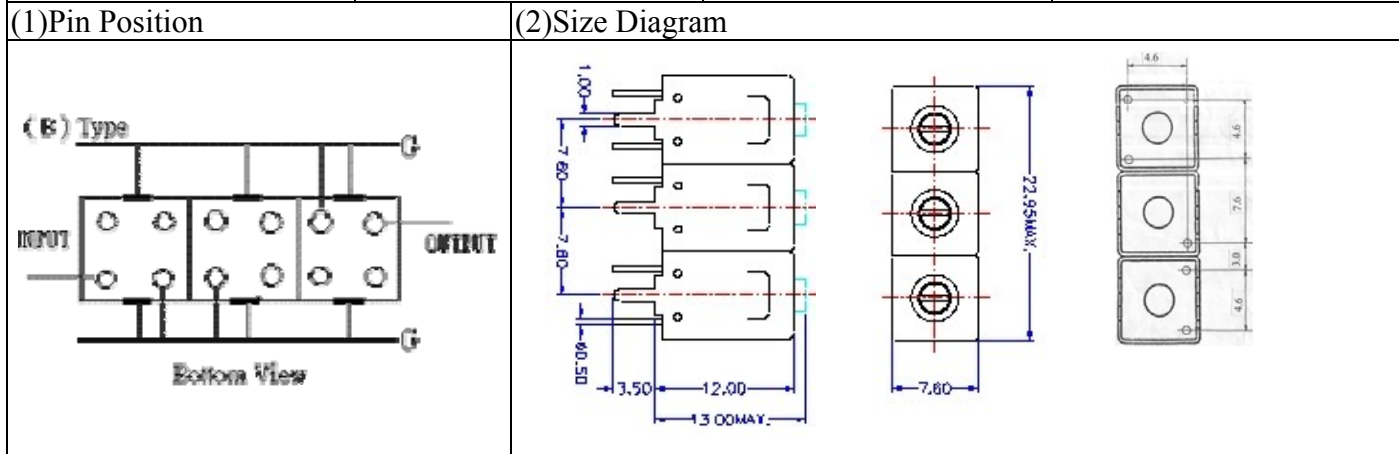


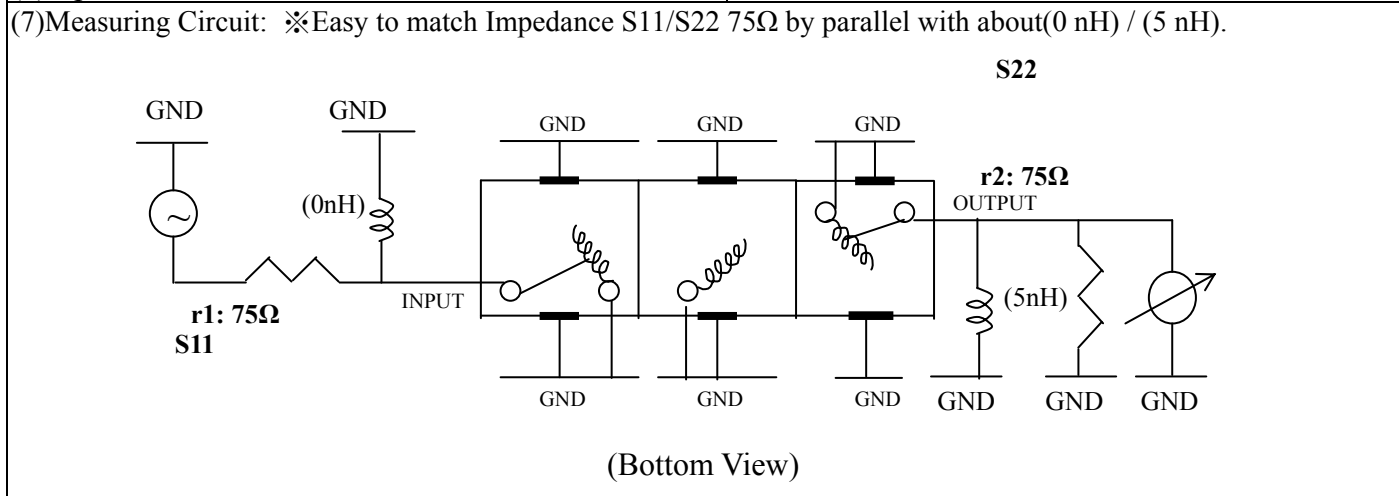
VHF UHF Helical Filter Specification Sheet

| | | | |
|----------------------|------------|-----------------------|----------------|
| Customer Name | | Temwell's Part No. | TTL67833B-538M |
| Approval No. /dated | 0510115APR | Temwell's print name. | 67833B 538M |
| Work Instruction No. | 0510115DB | Date | Oct.25.2005 |



| (3) Electric Character | | | |
|------------------------------|-------------|-----------------|-----------------|
| Item | | Specify | Performance |
| Center Freq.(Fo) +/- 0.5 % | | 538 MHz | 538 MHz |
| Tunable Range | | 538±5 MHz | 538±5 MHz |
| Insertion Loss | | Typ. 4.5 dB | 3.31 dB |
| -3 dB Bandwidth | | Typ. 9 MHz | 11.2 MHz |
| Sensitivity (Attenuation) | Fo - 50 MHz | Typ. 53 dBc | 56 dBc |
| | Fo + 50 MHz | Typ. 43 dBc | 46 dBc |
| | Fo - ()MHz | Typ. dBc | dBc |
| | Fo +()MHz | Typ. dBc | dBc |
| Return Loss | | Min. 12 dB | 25.6 dB |
| Ripple | | < 1 dB | dB |
| Impedance | | In / Out : 75 Ω | In / Out : 75 Ω |

| | |
|-----------------------------|---------------|
| (4) Torque for Tuning Screw | > 100gf · cm |
| (5) Temperature Condition: | |
| Operating Temperature | 0°C ~ +60°C |
| Storage Temperature | -20°C ~ +70°C |
| (6) Input Power | > 1Watt |

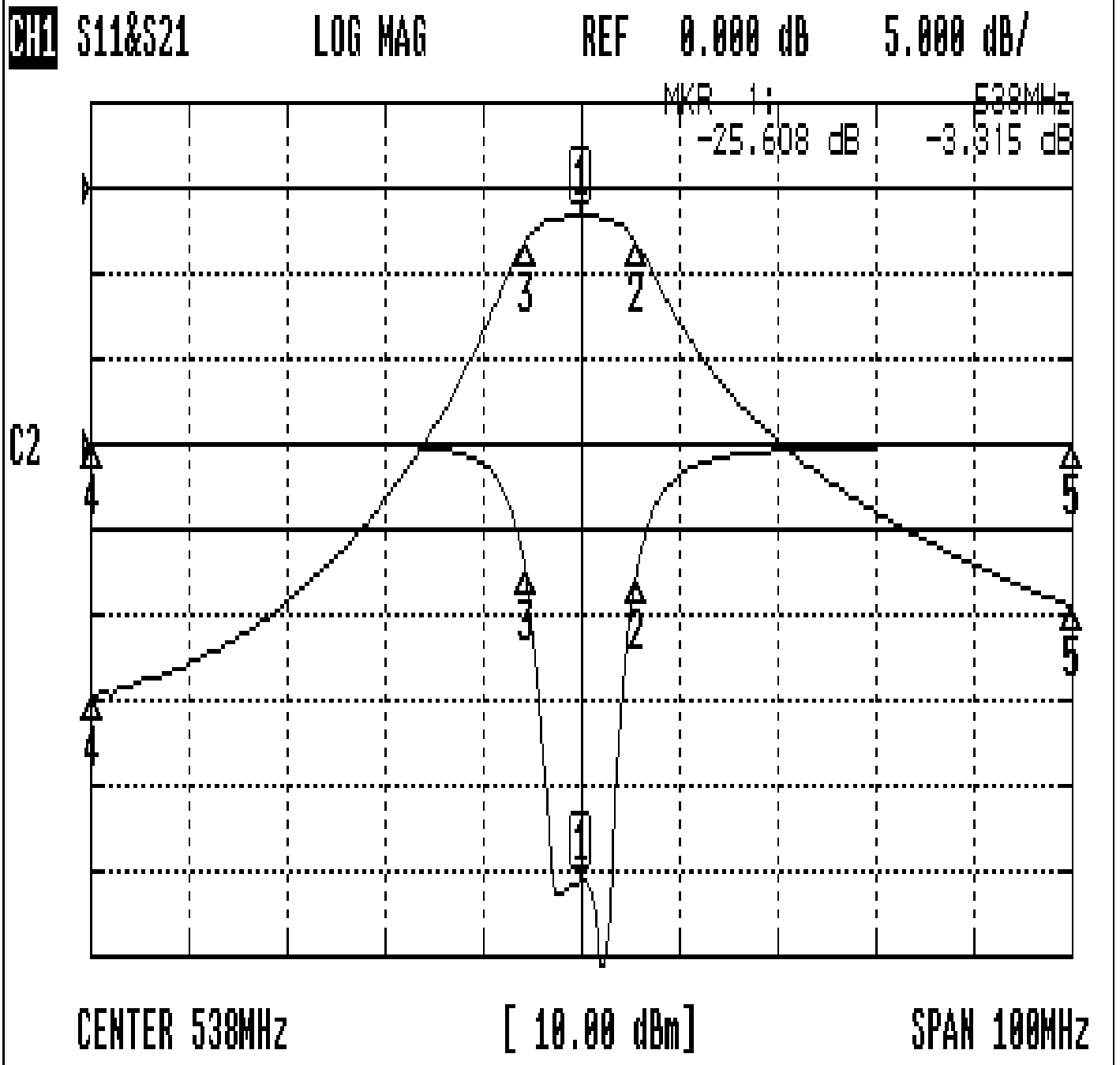


| | | | |
|------------|------------|------------|--------------------------|
| Approval | Supervisor | Designer | Aperture size |
| C.Y. Chang | C.S. Chang | C.S. Chang | 7H3S(4*4.65) 7H046RB4 |

TEMWELL CORPORATION

Performance-TTL67833B-538M

0510115DB



CH1 MARKER LIST

| | | | |
|----|------------|------------|------------|
| 1: | 538.000MHz | -25.608 dB | -3.315 dB |
| 2: | 543.583MHz | -7.922 dB | -6.390 dB |
| 3: | 532.333MHz | -7.611 dB | -6.345 dB |
| 4: | 488.000MHz | 0.101 dB | -59.475 dB |
| 5: | 588.000MHz | 0.005 dB | -49.012 dB |