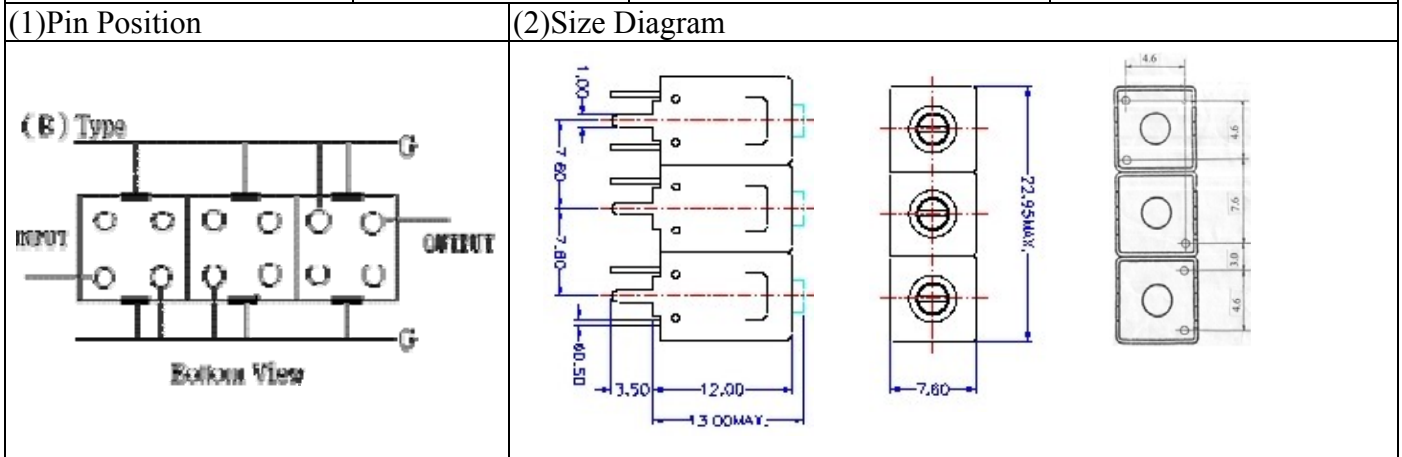


VHF UHF Helical Filter Specification Sheet

Customer Name		Temwell's Part No.	TTL67832B-490M
Approval No. /dated	0510114APR	Acceptable Specify Fo Range	456~515MHz
Work Instruction No.	0510114DB	Date	Oct.25.2005

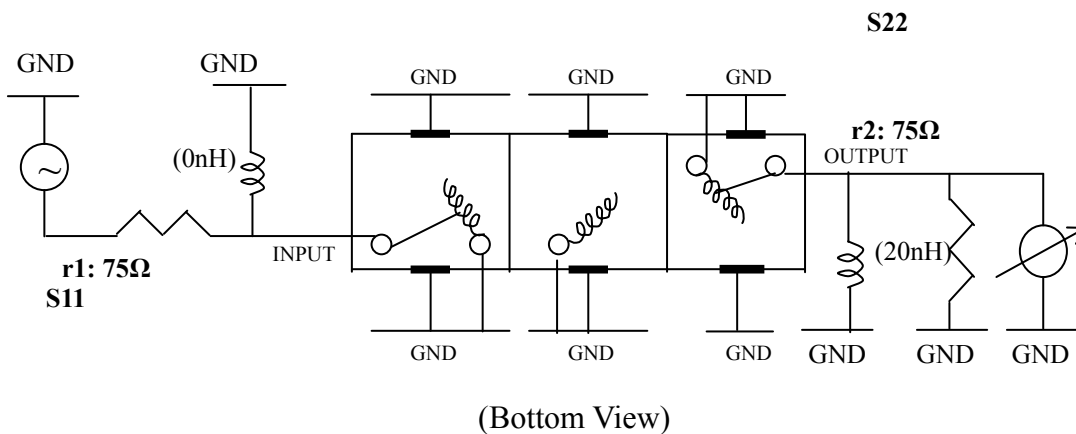


(3) Electric Character			
Item	Specify	Performance	
Center Freq.(Fo) +/- 0.5 %	490 MHz	490	MHz
Tunable Range	490±5 MHz	490±5	MHz
Insertion Loss	Typ. 4.5 dB	3.28	dB
-3 dB Bandwidth	Typ. 9 MHz	13.3	MHz
Sensitivity (Attenuation)	Fo - 50 MHz	Typ. 53	dBc
	Fo + 50 MHz	Typ. 48	dBc
	Fo - ()MHz	Typ.	dBc
	Fo + ()MHz	Typ.	dBc
Return Loss	Min. 12 dB	26	dB
Ripple	< 1 dB		dB
Impedance	In / Out : 75 Ω	In / Out : 75 Ω	
(4) Torque for Tuning Screw	> 60gf · cm		

(5) Temperature Condition:	
Operating Temperature	0°C ~ +60°C
Storage Temperature	-20°C ~ +70°C

(6) Input Power	> 1Watt
-----------------	---------

(7) Measuring Circuit: ※Easy to match Impedance S11/S22 75Ω by parallel with about(0 nH) / (20nH).



Approval	Supervisor	Designer	Aperture size
C.Y. Chang	C.S. Chang	C.S. Chang	7H3S(4*5.5) 7H046LB4 聚 3

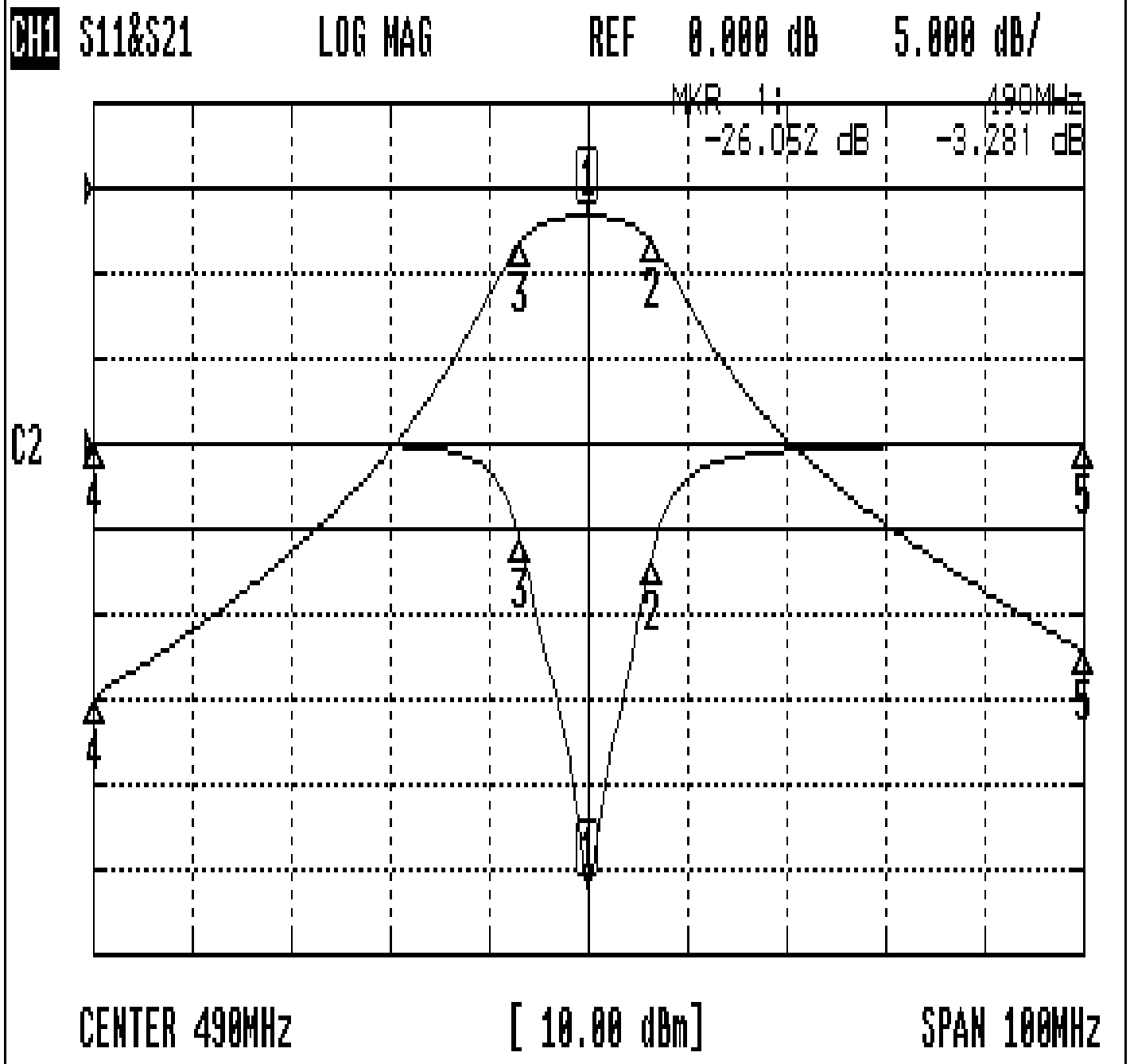
TEMWELL CORPORATION

TEMWELL

Form10-7H3B Vision D

Performance-TTL67832B-490M

0510114DB



CH1 MARKER LIST

1:	490.000MHz	-26.052 dB	-3.281 dB
2:	496.416MHz	-6.696 dB	-6.289 dB
3:	483.166MHz	-5.691 dB	-6.295 dB
4:	440.000MHz	0.085 dB	-59.805 dB
5:	540.000MHz	0.015 dB	-54.411 dB