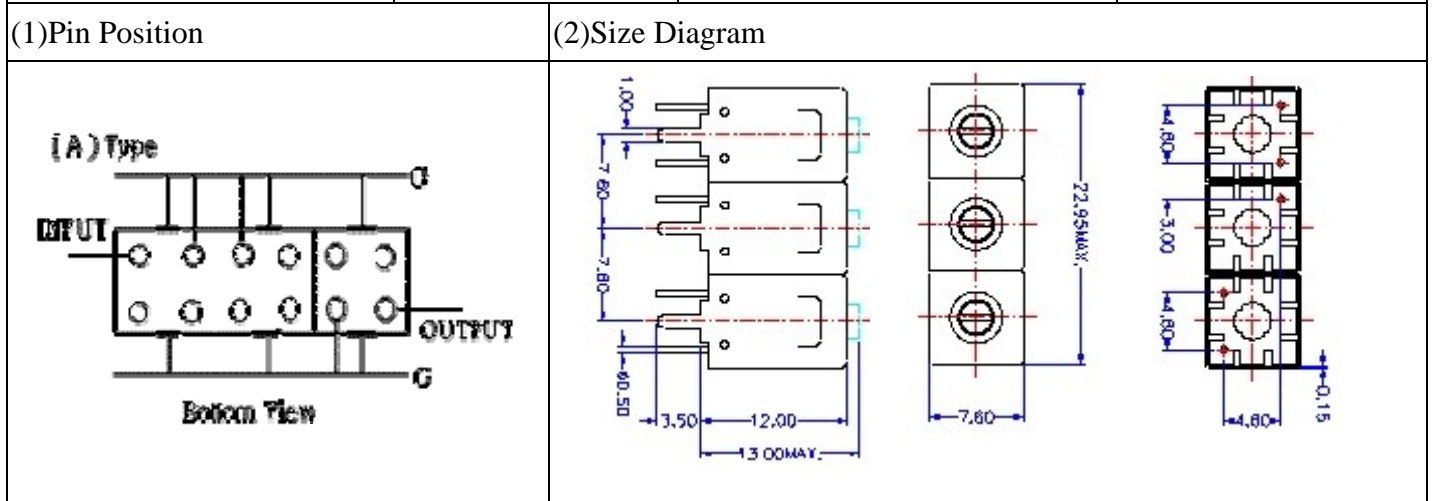


VHF UHF Helical Filter Specification Sheet

Customer Name		Temwell's Part No.	TTL67623A-738M
Approval No. /dated	20301002DC	Acceptable Specify Fo. Range	701~750MHz
Work Instruction No.	20301002DC	Date	Jan. 6, 2003



(3) Electric Character

Item	Specify	Performance	
Center Freq.(Fo) +/- 0.5 %	738 MHz	738 MHz	
Tunable Range	738±5 MHz	738±5 MHz	
Insertion Loss	Typ. 4.5 dB	3.3 dB	
-3 dB Bandwidth	Typ. 8 MHz	15 MHz	
Sensitivity (Attenuation)	Fo - 50 MHz	Typ. 49 dBc	51 dBc
	Fo + 50 MHz	Typ. 43 dBc	45 dBc
	Fo - ()MHz	Typ. dBc	dBc
	Fo +()MHz	Typ. dBc	dBc
Return Loss	Min. 12 dB	31 dB	
Ripple	< 1 dB	dB	
Impedance	In / Out : 75 Ω	In / Out : 75 Ω	

(4) Torque for Tuning Screw > 60gf • cm

(5) Temperature Condition:

Operating Temperature	0°C ~ +60°C
Storage Temperature	-20°C ~ +70°C

(6) Input Power > 1Watt

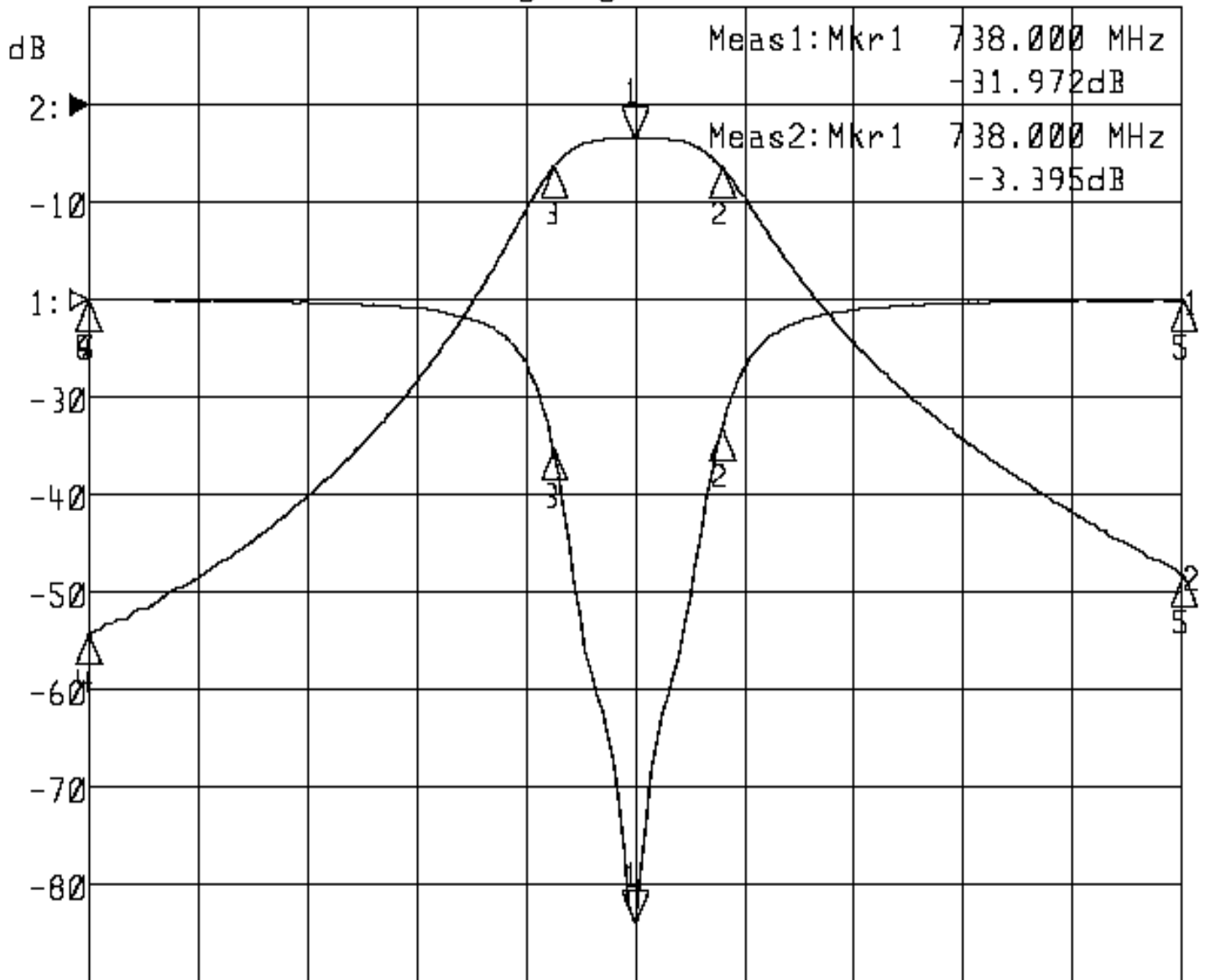
Approval	Supervisor	Designer	Aperture size
C.Y.Chang	C.S.Chang	C.S.Chang	7H3S(4*6.5)F 7H046LB4 聚 3

TEMWELL CORPORATION

Performance-TTL67623A-738M

20301002DC

▷1:S22 Refl Port2 Log Mag 5.0 dB/ Ref 0.00 dB C
▶2:S21 Fwd Trans Log Mag 10.0 dB/ Ref 0.00 dB C



Center 738.000 MHz

Span 100.000 MHz

1:Mkr (MHz)	dB	2:Mkr (MHz)	dB
1> 738.0000	-31.972	1> 738.0000	-3.395
2: 745.9333	-6.611	2: 745.9333	-6.346
3: 730.5333	-7.637	3: 730.5333	-6.333
4: 688.0000	-0.039	4: 688.0000	-54.301
5: 788.0000	-0.049	5: 788.0000	-48.263
6: 688.0000	-0.039		
7: 688.0000	-0.039		