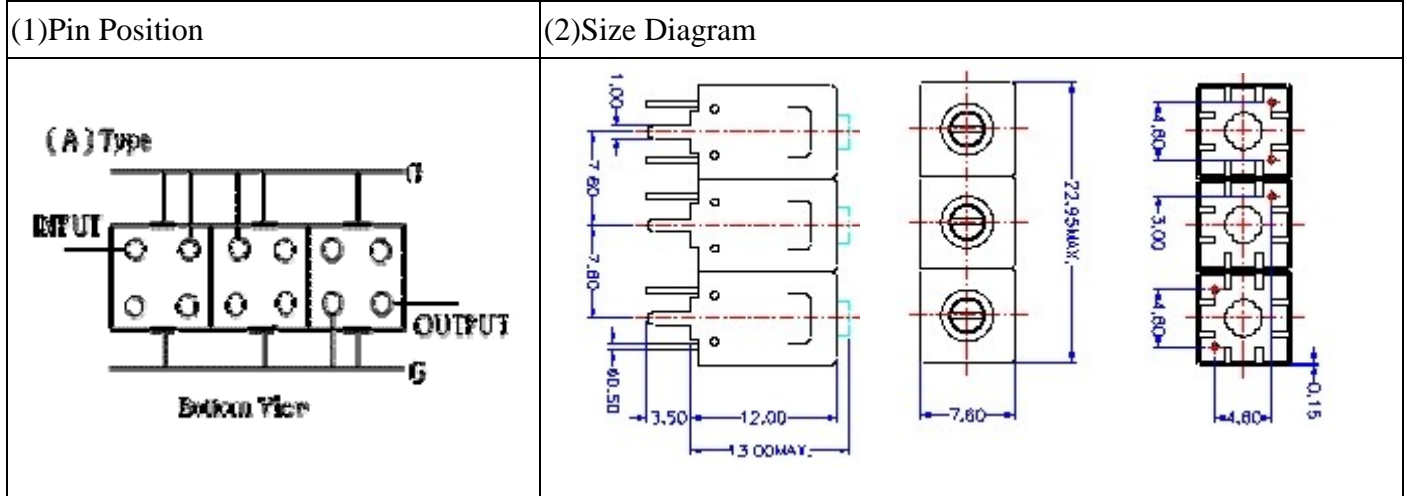


VHF UHF Helical Filter Specification Sheet

Customer Name		Temwell's Part No.	TTL67622A-738M
Approval No. /dated	20301001DC	Acceptable Specify Fo. Range	701~750MHz
Work Instruction No.	20301001DC	Date	Jan. 6, 2003



(3) Electric Character

Item	Specify	Performance	
Center Freq.(Fo) +/- 0.5 %	738 MHz	738 MHz	
Tunable Range	738±5 MHz	738±5 MHz	
Insertion Loss	Typ. 5.5 dB	4.3 dB	
-3 dB Bandwidth	Typ. 4 MHz	11 MHz	
Sensitivity (Attenuation)	Fo - 50 MHz	Typ. 53 dBc	55 dBc
	Fo + 50 MHz	Typ. 50 dBc	52 dBc
	Fo - ()MHz	Typ. dBc	dBc
	Fo +()MHz	Typ. dBc	dBc
Return Loss	Min. 12 dB	21 dB	
Ripple	< 1 dB	dB	
Impedance	In / Out : 75 Ω	In / Out : 75 Ω	
(4) Torque for Tuning Screw	> 60gf • cm		

(5) Temperature Condition:

Operating Temperature	0°C ~ +60°C
Storage Temperature	-20°C ~ +70°C
(6) Input Power	> 1Watt

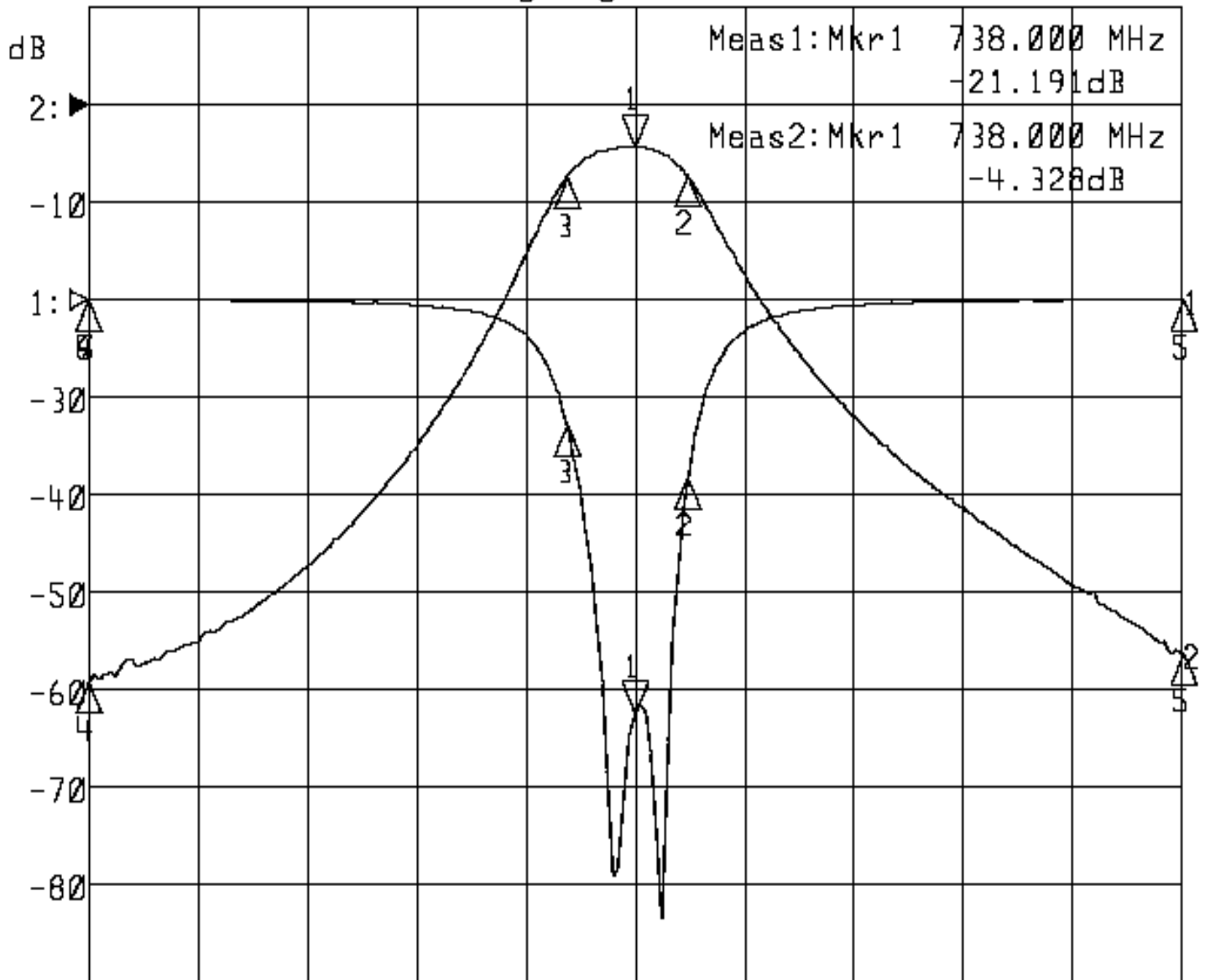
Approval	Supervisor	Designer	Aperture size
C.Y.Chang	C.S.Chang	C.S.Chang	7H3S(4*6.5)F 7H046LB4 聚 3

TEMWELL CORPORATION

Performance-TTL67622A-738M

20301001DC

▷1:S22 Refl Port2 Log Mag 5.0 dB/ Ref 0.00 dB C
▶2:S21 Fwd Trans Log Mag 10.0 dB/ Ref 0.00 dB C



Center 738.000 MHz

Span 100.000 MHz

1:Mkr (MHz)	dB	2:Mkr (MHz)	dB
1> 738.0000	-21.191	1> 738.0000	-4.328
2: 742.8667	-9.089	2: 742.8667	-7.356
3: 731.7667	-6.387	3: 731.7667	-7.389
4: 688.0000	0.001	4: 688.0000	-59.276
5: 788.0000	-0.007	5: 788.0000	-56.211
6: 688.0000	0.001		
7: 688.0000	0.001		