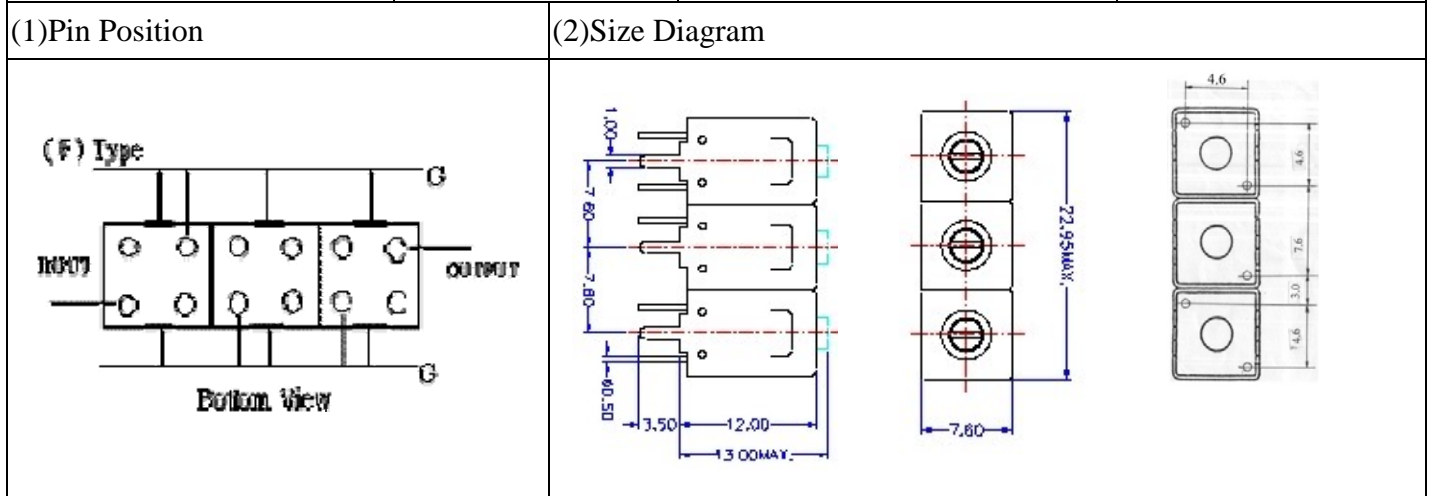


VHF UHF Helical Filter Specification Sheet

Customer Name		Temwell's Part No.	TTL67621F-770M
Approval No. /dated	20212028DC	Acceptable Specify Fo. Range	751~800MHz
Work Instruction No.	20212028DC	Date	Jan. 2, 2003



(3) Electric Character

Item	Specify	Performance	
Center Freq.(Fo) +/- 0.5 %	770 MHz	770 MHz	
Tunable Range	770±3 MHz	770±3 MHz	
Insertion Loss	Typ. 1.5 dB	0.60 dB	
-3 dB Bandwidth	Typ. 145 MHz	149 MHz	
Sensitivity (Attenuation)	Fo - 200 MHz	Typ. 29 dBc	32 dBc
	Fo + 200 MHz	Typ. 25 dBc	28 dBc
	Fo - ()MHz	Typ. dBc	dBc
	Fo + ()MHz	Typ. dBc	dBc
Return Loss	Min. 12 dB	24.4 dB	
Ripple	< 1 dB	dB	
Impedance	In / Out : 75 Ω	In / Out : 75 Ω	
(4) Torque for Tuning Screw	> 100gf · cm		

(5) Temperature Condition:

Operating Temperature	0°C ~ +60°C
Storage Temperature	-20°C ~ +70°C
(6) Input Power	> 1Watt

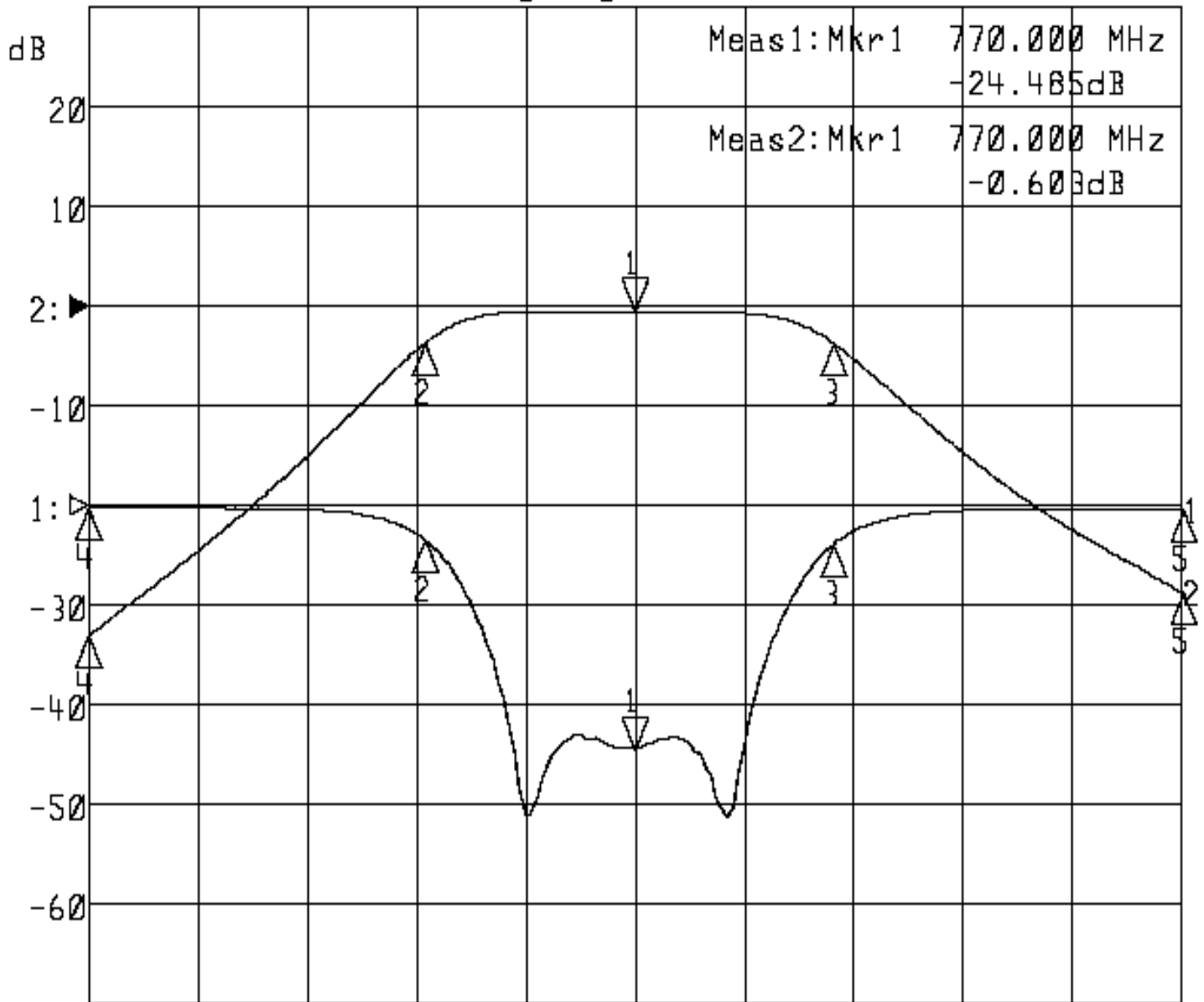
Approval	Supervisor	Designer	Aperture size
C.Y.Chang	C.S.Chang	C.S.Chang	7H3S 4*8.0 7H046RB6.5

TEMWELL CORPORATION

Performance-TTL67621F-770M

20212028DC

▶1:S11 Refl Port1 Log Mag 10.0 dB/ Ref 0.00 dB C
▶2:S21 Fwd Trans Log Mag 10.0 dB/ Ref 0.00 dB C



Center 770.000 MHz

Span 400.000 MHz

1:Mkr (MHz)	dB	2:Mkr (MHz)	dB
1> 770.0000	-24.485	1> 770.0000	-0.603
2: 693.3333	-3.473	2: 693.3333	-3.663
3: 842.3667	-3.984	3: 842.3667	-3.668
4: 570.0000	-0.214	4: 570.0000	-33.094
5: 970.0000	-0.442	5: 970.0000	-28.690