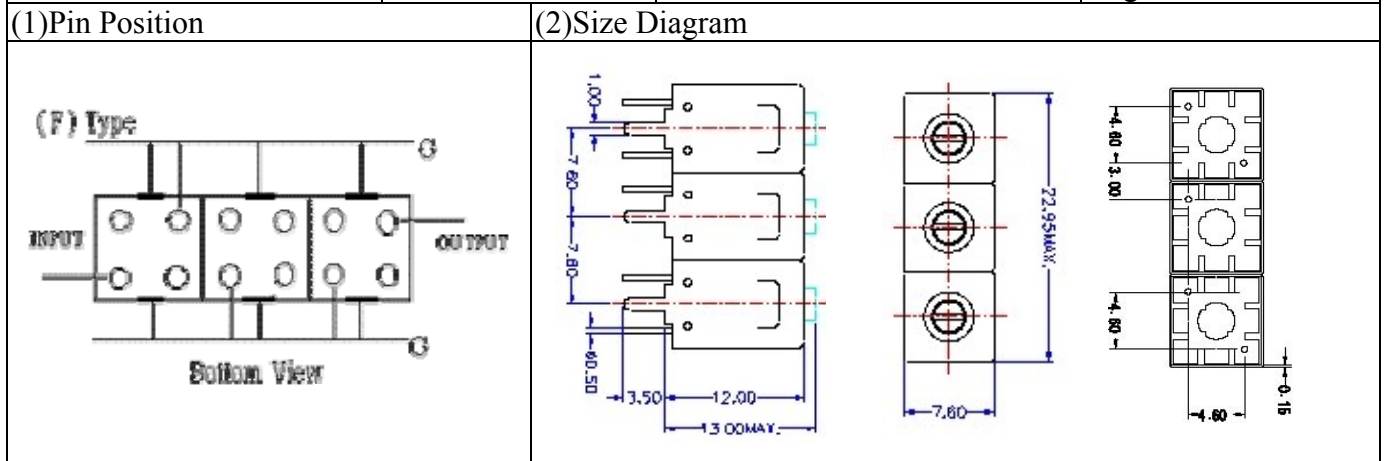


VHF UHF Helical Filter Specification Sheet

Customer Name		Temwell's Part No.	TTL67618F-655M
Approval No. /dated	200808016APR	Acceptable Specify Fo Range	641~660MHz
Work Instruction No.	200808016BD	Date	Aug.25.2008



(3) Electric Charasteric

Item	Specify	Performance
Center Freq.(Fo) +/- 0.5 %	655 MHz	655 MHz
Tunable Range:	655±3 MHz	655±3 MHz
Insertion Loss	Typ. 1.5 dB	0.77 dB
-3 dB Bandwidth	Typ. 130 MHz	139.4 MHz
Sensitivity (Attenuation)	Fo - 200 MHz	Typ. 34 dBc
	Fo + 200 MHz	Typ. 25 dBc
	Fo - ()MHz	Typ. dBc
	Fo +()MHz	Typ. dBc
Return Loss	Min. 12 dB	20.5 dB
Ripple	< 1 dB	
Impedance	In / Out : 75 Ω	In / Out : 75 Ω

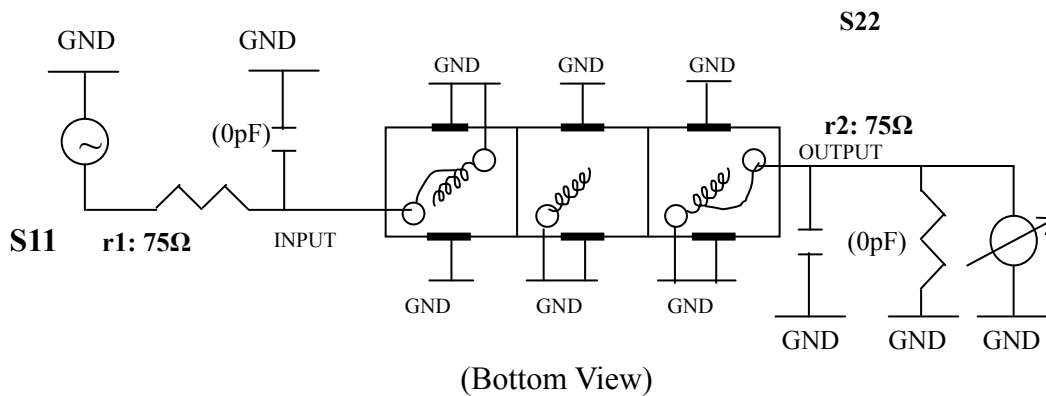
(4) Torque for Tuning Screw > 100gf · cm

(5) Temperature Condition:

Operating Temperature	0°C ~ +60°C
Storage Temperature	-20°C ~ +70°C

(6) Input Power > 1Watt

(7) Measuring Circuit: ※Easy to match Impedance S11/S22 75Ω by parallel with about(0pF) / (0pF).



Approval C.Y.Chang	Supervisor C.S.Chang	Designer Y.H.Yeh	Aperture size 7H3S(4*8.0F) 7H046RB6.5
-----------------------	-------------------------	---------------------	---

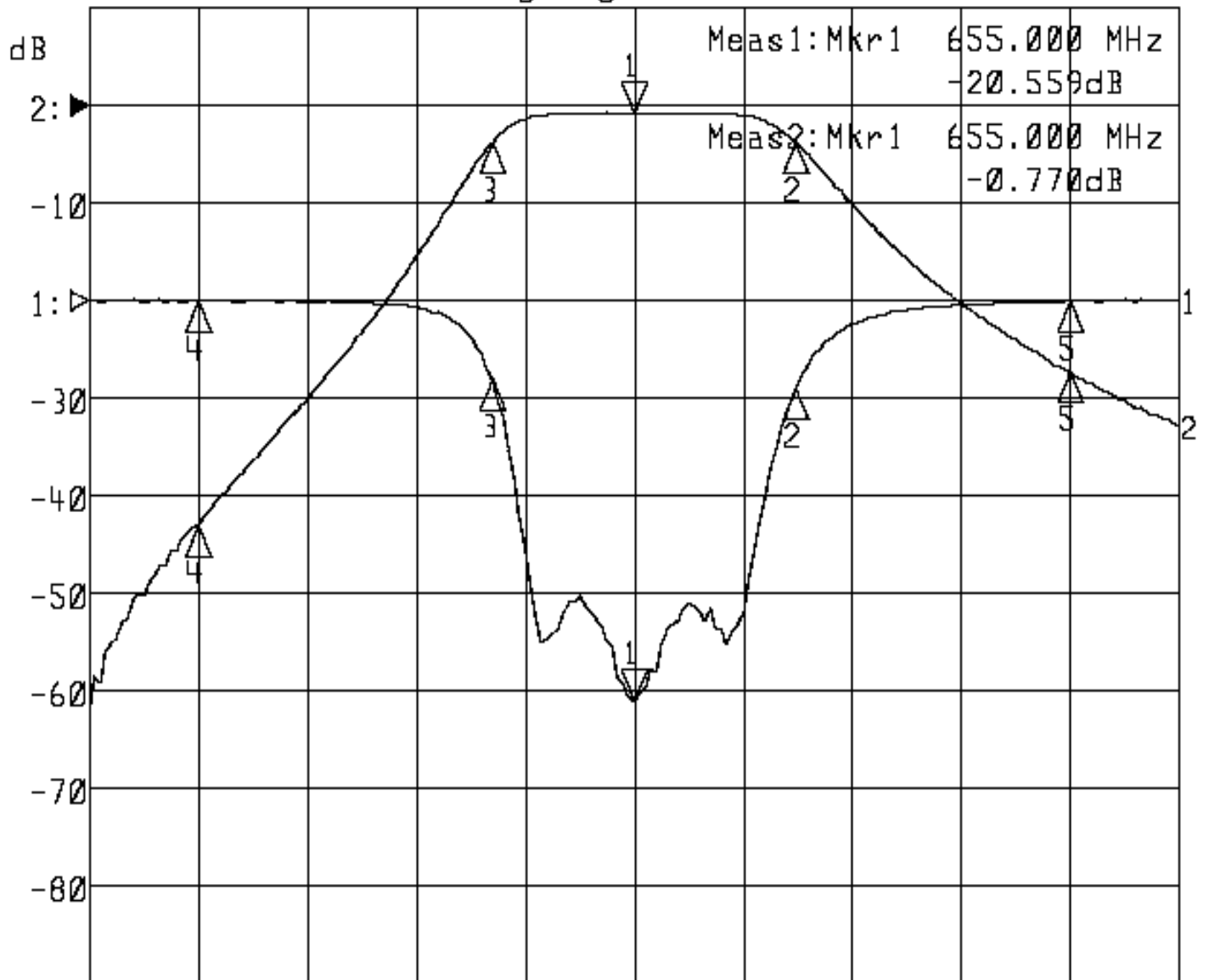
TEMWELL CORPORATION

Performance-TTL67618F-655M-130M

200808016BD

▶1:S11 Refl Port1 Log Mag 5.0 dB/ Ref 0.00 dB C

▶2:S21 Fwd Trans Log Mag 10.0 dB/ Ref 0.00 dB C



Center 655.000 MHz

Span 500.000 MHz

1: Mkr (MHz)	dB	2: Mkr (MHz)	dB
1> 655.0000	-20.559	1> 655.0000	-0.770
2: 729.0000	-4.506	2: 729.0000	-3.804
3: 589.6667	-4.031	3: 589.6667	-3.805
4: 455.0000	-0.024	4: 455.0000	-42.901
5: 855.0000	0.007	5: 855.0000	-27.317