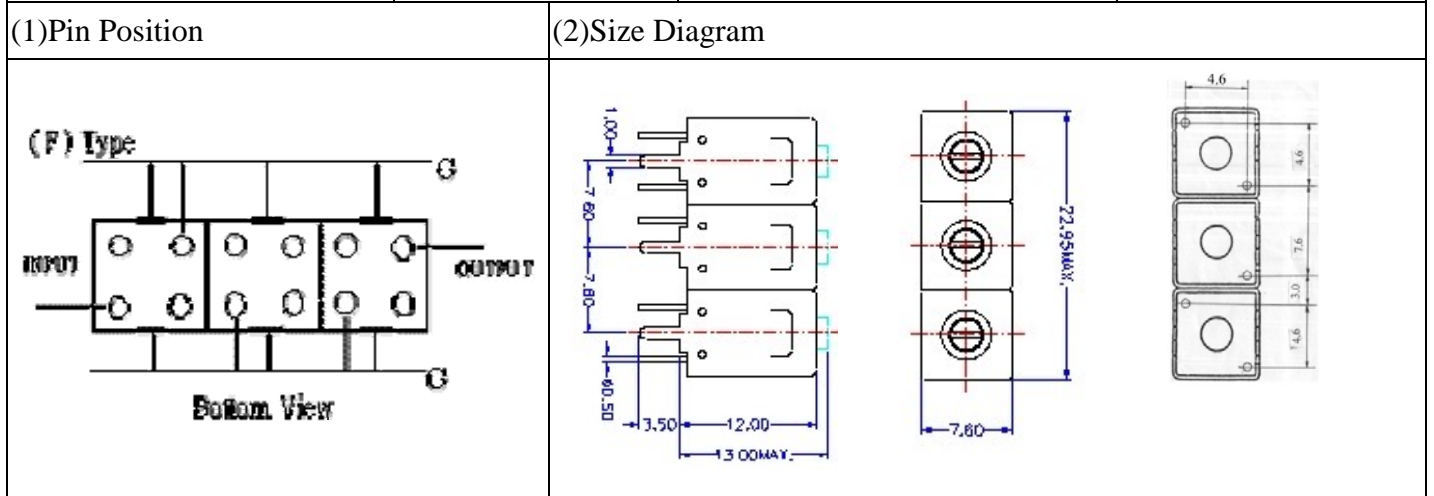


# VHF UHF Helical Filter Specification Sheet

Customer Name		Temwell's Part No.	TTL67616F-790M
Approval No. /dated	20208079DC	Acceptable Specify Fo. Range	751~800MHz
Work Instruction No.	20208079DC	Date	Aug. 30, 2002



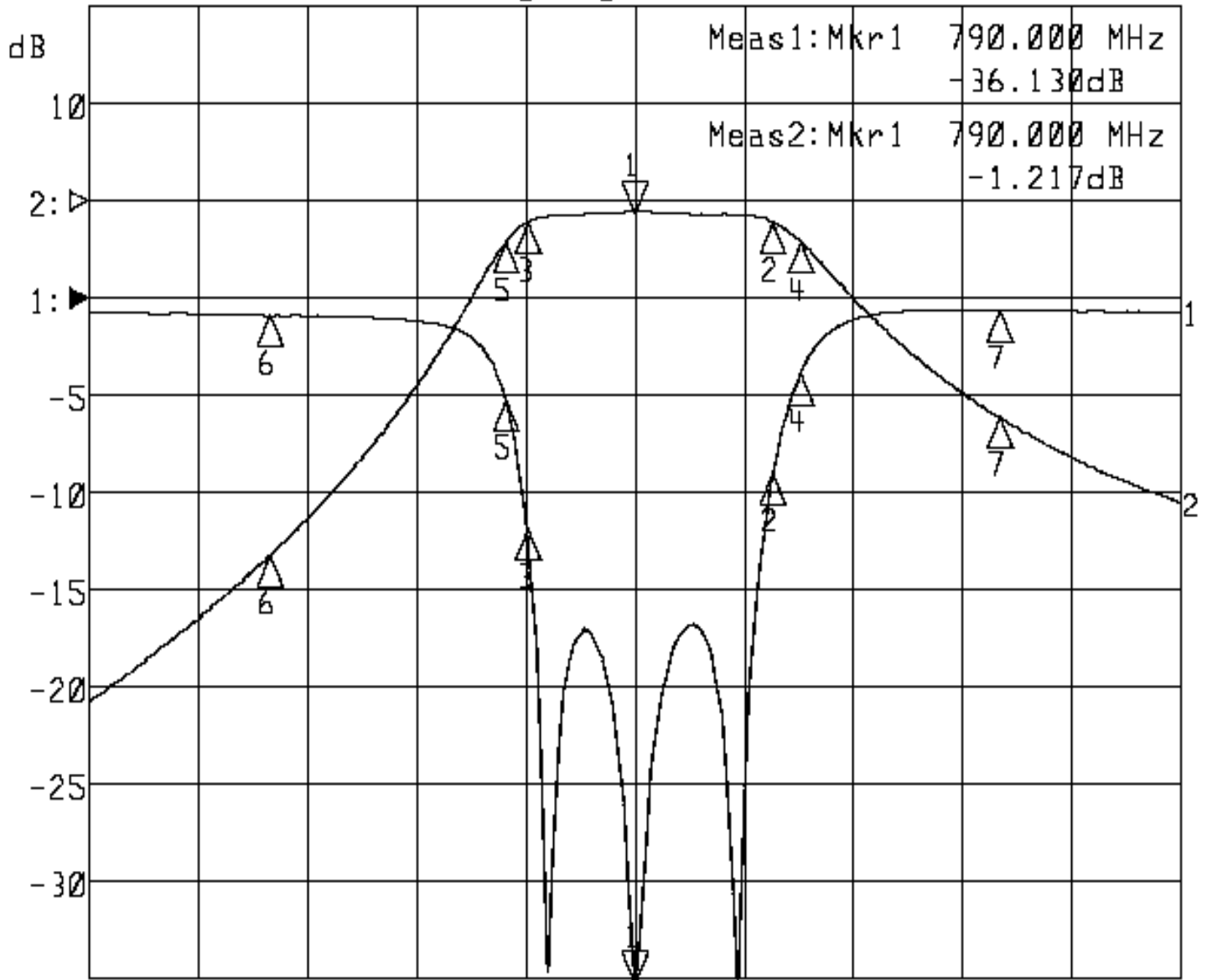
(3) Electric Character			
Item		Specify	Performance
Center Freq.(Fo) +/- 0.5 %		790 MHz	790 MHz
Tunable Range		790±3 MHz	790±3 MHz
Insertion Loss		Typ. 2.0 dB	1.21 dB
-3 dB Bandwidth		Typ. 77 MHz	80.9 MHz
Sensitivity (Attenuation)	Fo - 100 MHz	Typ. 32 dBc	35 dBc
	Fo + 100 MHz	Typ. 18 dBc	21 dBc
	Fo - ( )MHz	Typ. dBc	dBc
	Fo + ( )MHz	Typ. dBc	dBc
Return Loss		Min. 12 dB	36.1 dB
Ripple		< 1 dB	dB
Impedance		In / Out : 75 Ω	In / Out : 75 Ω
(4) Torque for Tuning Screw		> 100gf · cm	
(5) Temperature Condition:			
Operating Temperature		0°C ~ +60°C	
Storage Temperature		-20°C ~ +70°C	
(6) Input Power		> 1Watt	
Approval	Supervisor	Designer	Aperture size
C. Y.Chang	C. S.Chang	C. S.Chang	7H3,4*5.5 7H046LB6

TEMWELL CORPORATION

# Performance-TTL67616F-790M

## 20208079DC

▶1:S11 Refl Port1 Log Mag 5.0 dB/ Ref 0.00 dB C  
 ▶2:S21 Fwd Trans Log Mag 10.0 dB/ Ref 0.00 dB C



Meas1:Mkr1 790.000 MHz  
 -36.130dB  
 Meas2:Mkr1 790.000 MHz  
 -1.217dB

Center 790.000 MHz

Span 300.000 MHz

1:Mkr (MHz)	dB	2:Mkr (MHz)	dB
1> 790.0000	-36.130	1> 790.0000	-1.217
2: 828.0000	-9.045	2: 828.0000	-2.166
3: 760.4000	-11.903	3: 760.4000	-2.192
4: 835.4000	-3.902	4: 835.4000	-4.170
5: 754.5000	-5.210	5: 754.5000	-4.251
6: 690.0000	-0.926	6: 690.0000	-36.387
7: 890.0000	-0.653	7: 890.0000	-22.245