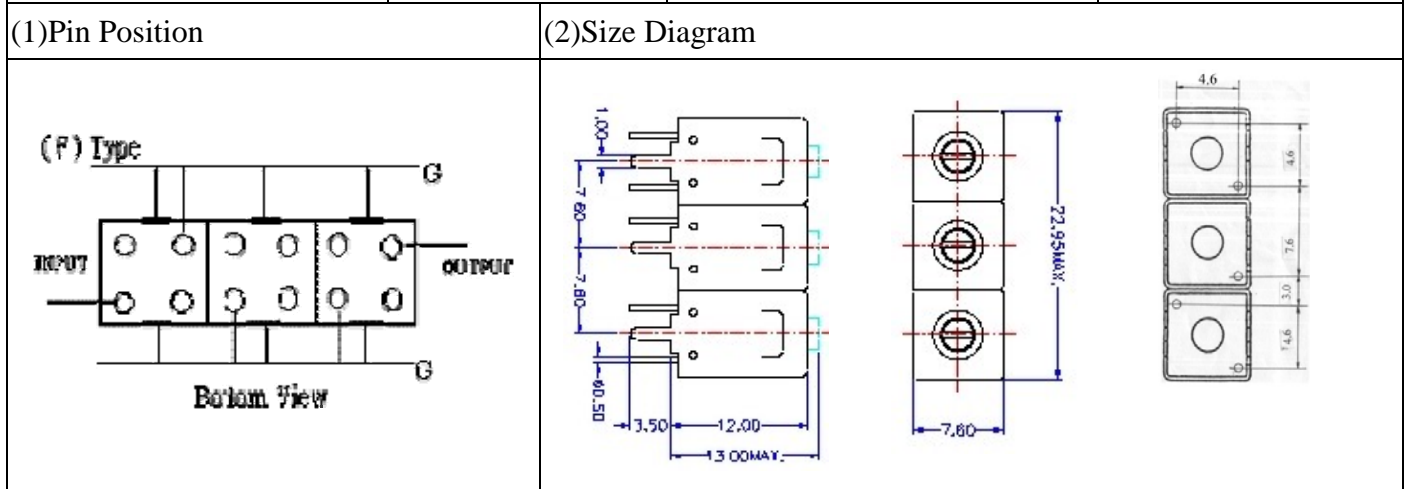


VHF UHF Helical Filter Specification Sheet

| | | | |
|----------------------|------------|------------------------------|----------------|
| Customer Name | | Temwell's Part No. | TTL67615F-730M |
| Approval No. /dated | 20208078DC | Acceptable Specify Fo. Range | 701~750MHz |
| Work Instruction No. | 20208078DC | Date | Aug. 30, 2002 |



| (3) Electric Character | | | |
|------------------------------|-----------------|-----------------|-----|
| Item | Specify | Performance | |
| Center Freq.(Fo) +/- 0.5 % | 730 MHz | 730 | MHz |
| Tunable Range | 730±3 MHz | 730±3 | MHz |
| Insertion Loss | Typ. 2.0 dB | 1.2 | dB |
| -1 dB Bandwidth | Typ. 70 MHz | 67 | MHz |
| -3 dB Bandwidth | Typ. 75 MHz | 78 | MHz |
| Sensitivity (Attenuation) | Fo - 100 MHz | Typ. 35 | dBc |
| | Fo + 100 MHz | Typ. 20 | dBc |
| | Fo - ()MHz | Typ. | dBc |
| | Fo +()MHz | Typ. | dBc |
| Return Loss | Min. 12 dB | 16 | dB |
| Ripple | < 1 dB | | dB |
| Impedance | In / Out : 75 Ω | In / Out : 75 Ω | |
| (4) Torque for Tuning Screw | > 60gf • cm | | |

| (5) Temperature Condition: | |
|----------------------------|---------------|
| Operating Temperature | 0°C ~ +60°C |
| Storage Temperature | -20°C ~ +70°C |
| (6) Input Power | > 1Watt |

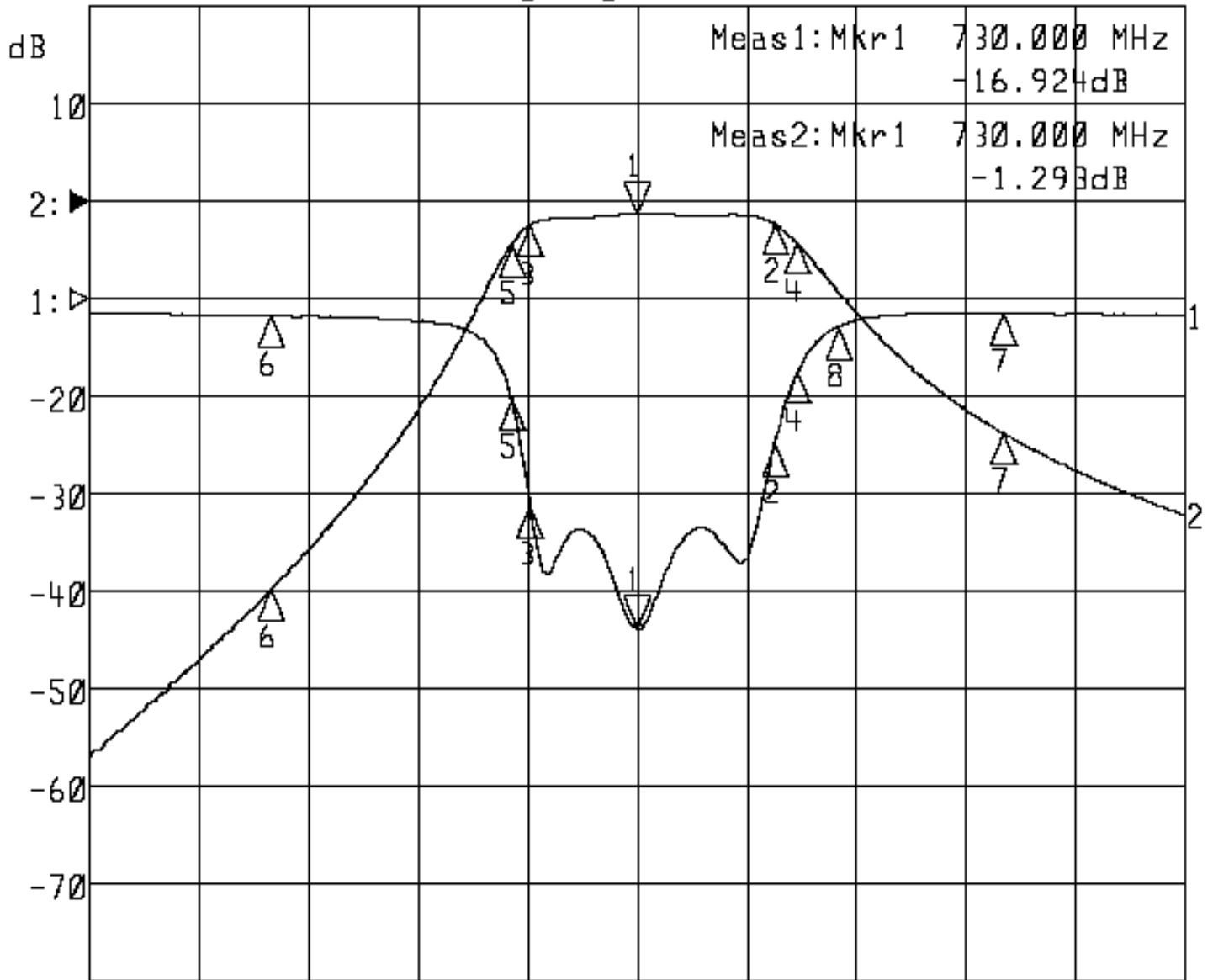
| | | | |
|-----------|------------|-----------|-----------------------|
| Approval | Supervisor | Designer | Aperture size |
| C.Y.Chang | C.S.Chang | C.S.Chang | 7H3,4*6.5 7H046LB6 |

TEMWELL CORPORATION

Performance-TTL67615F-730M

20208078DC

▶1:S11 Refl Port1 Log Mag 5.0 dB/ Ref 0.00 dB C
 ▶2:S21 Fwd Trans Log Mag 10.0 dB/ Ref 0.00 dB C



Center 730.000 MHz

Span 300.000 MHz

| 1:Mkr (MHz) | dB | 2:Mkr (MHz) | dB |
|-------------|---------|-------------|---------|
| 1> 730.0000 | -16.924 | 1> 730.0000 | -1.293 |
| 2: 767.6000 | -7.472 | 2: 767.6000 | -2.313 |
| 3: 700.9000 | -10.576 | 3: 700.9000 | -2.390 |
| 4: 773.9000 | -3.790 | 4: 773.9000 | -4.332 |
| 5: 695.7000 | -5.121 | 5: 695.7000 | -4.392 |
| 6: 630.0000 | -0.872 | 6: 630.0000 | -39.770 |
| 7: 830.0000 | -0.766 | 7: 830.0000 | -23.730 |
| 8: 785.0000 | -1.439 | | |