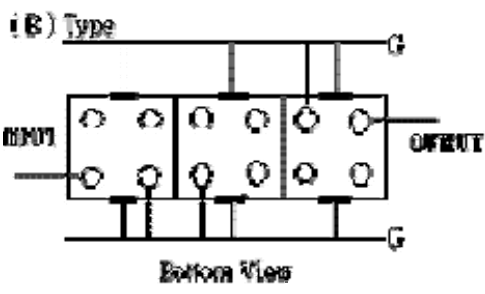
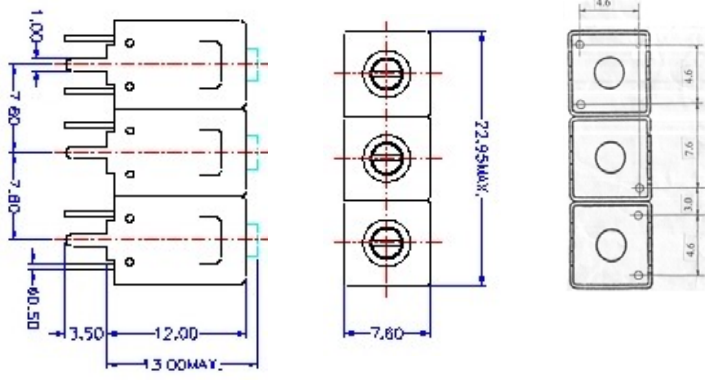


VHF UHF Helical Filter Specification Sheet

Customer Name		Temwell's Part No.	TTL67613B-610M
Approval No. /dated	20208076DC	Acceptable Specify Fo. Range	596~640MHz
Work Instruction No.	20208076DC	Date	Sep. 2, 2002

<p>(1) Pin Position</p> 	<p>(2) Size Diagram</p> 
---	--

(3) Electric Character			
Item	Specify	Performance	
Center Freq.(Fo) +/- 0.5 %	610 MHz	610	MHz
Tunable Range	610±3 MHz	610±3	MHz
Insertion Loss	Typ 2.0 dB	0.9	dB
-1 dB Bandwidth	Typ 60 MHz	66	MHz
-3 dB Bandwidth	Typ 65 MHz	80	MHz
Sensitivity (Attenuation)	Fo - 100 MHz	Typ. 25	dBc
	Fo + 100 MHz	Typ. 20	dBc
	Fo - ()MHz	Typ.	dBc
	Fo +()MHz	Typ.	dBc
Return Loss	Min. 12 dB	20	dB
Ripple	< 1 dB		dB
Impedance	In / Out : 75 Ω	In / Out : 75 Ω	
(4) Torque for Tuning Screw	> 60gf · cm		

(5) Temperature Condition:	
Operating Temperature	0°C ~ +60°C
Storage Temperature	-20°C ~ +70°C
(6) Input Power	> 1Watt

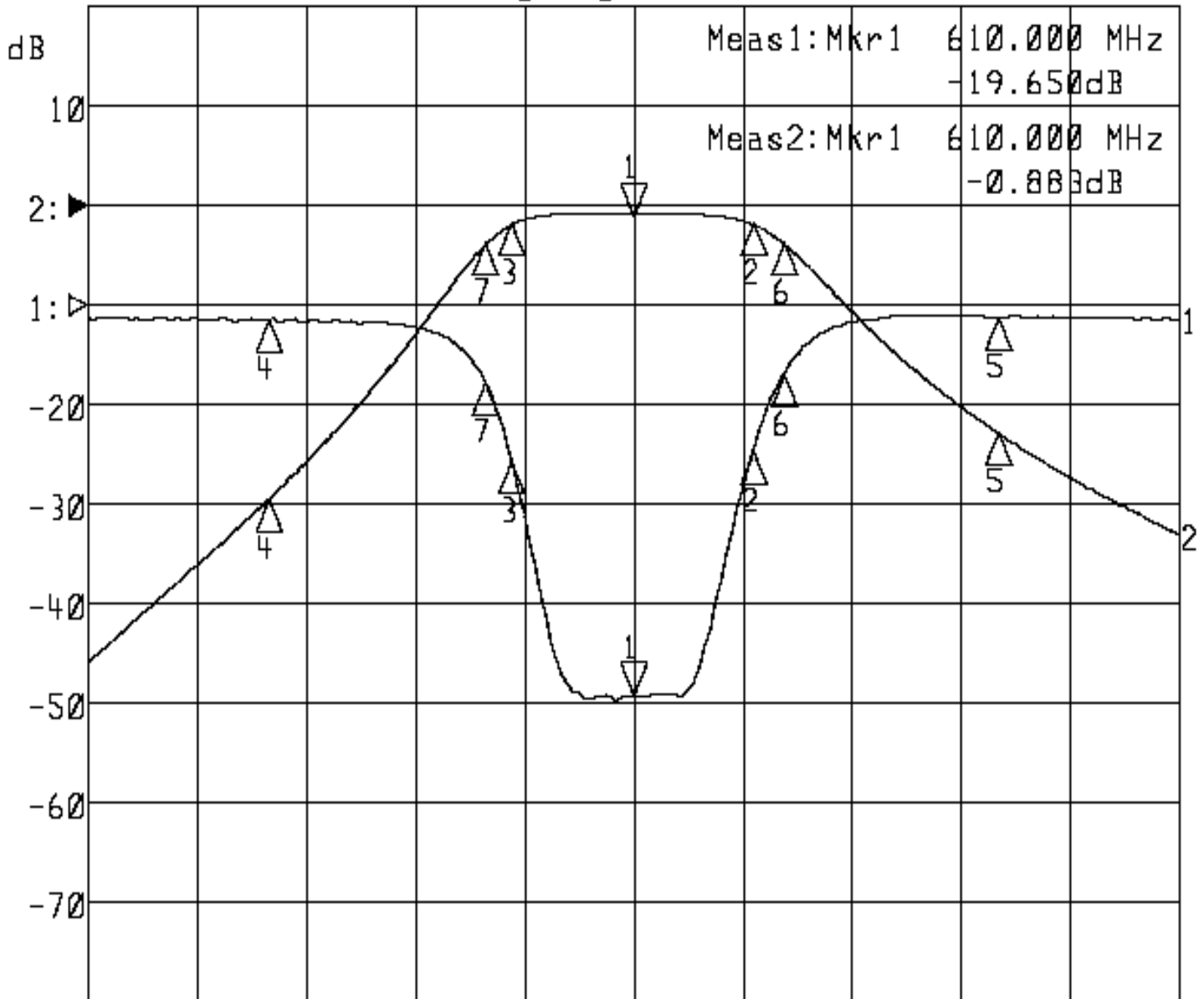
Approval	Supervisor	Designer	Aperture size
C.Y. Chang	C.S. Chang	C.S. Chang	7H3S,4*7.5 7H046LB6

TEMWELL CORPORATION

Performance-TTL67613B-610M

20208076DC

▶1:S11 Refl Port1 Log Mag 5.0 dB/ Ref 0.00 dB C
 ▶2:S12 Rev Trans Log Mag 10.0 dB/ Ref 0.00 dB C



Meas1:Mkr1 610.000 MHz
 -19.650 dB
 Meas2:Mkr1 610.000 MHz
 -0.883 dB

Center 610.000 MHz

Span 300.000 MHz

1:Mkr (MHz)	dB	2:Mkr (MHz)	dB
1> 610.0000	-19.650	1> 610.0000	-0.883
2: 642.7000	-7.326	2: 642.7000	-1.862
3: 576.6000	-7.821	3: 576.6000	-1.852
4: 510.0000	-0.731	4: 510.0000	-29.437
5: 710.0000	-0.611	5: 710.0000	-22.768
6: 651.2000	-3.469	6: 651.2000	-3.823
7: 569.4000	-3.874	7: 569.4000	-3.858