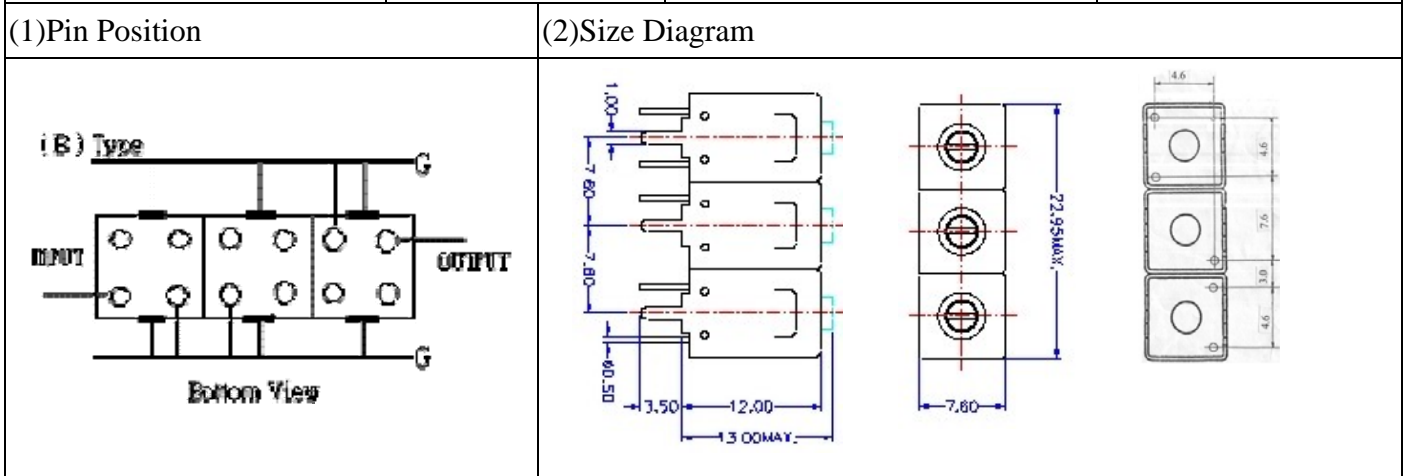


# VHF UHF Helical Filter Specification Sheet

Customer Name		Temwell's Part No.	TTL67612B-550M
Approval No. /dated	20208075DC	Acceptable Specify Fo. Range	516~555MHz
Work Instruction No.	20208075DC	Date	Aug. 29, 2002



(3) Electric Character			
Item	Specify	Performance	
Center Freq.(Fo) +/- 0.5 %	550 MHz	550 MHz	
Tunable Range	550±5 MHz	550±5 MHz	
Insertion Loss	Typ 2.0 dB	1.0 dB	
-1 dB Bandwidth	Typ 59 MHz	62 MHz	
-3 dB Bandwidth	Typ 64 MHz	67 MHz	
Sensitivity (Attenuation)	Fo - 100 MHz	Typ. 30 dBc	33 dBc
	Fo + 100 MHz	Typ. 22 dBc	24 dBc
	Fo - ( )MHz	Typ. dBc	dBc
	Fo +( )MHz	Typ. dBc	dBc
Return Loss	Min. 12 dB	28.2 dB	
Ripple	< 1 dB	dB	
Impedance	In / Out : 75 Ω	In / Out : 75 Ω	

(4) Torque for Tuning Screw > 100gf · cm

(5) Temperature Condition:	
Operating Temperature	0°C ~ +60°C
Storage Temperature	-20°C ~ +70°C

(6) Input Power > 1Watt

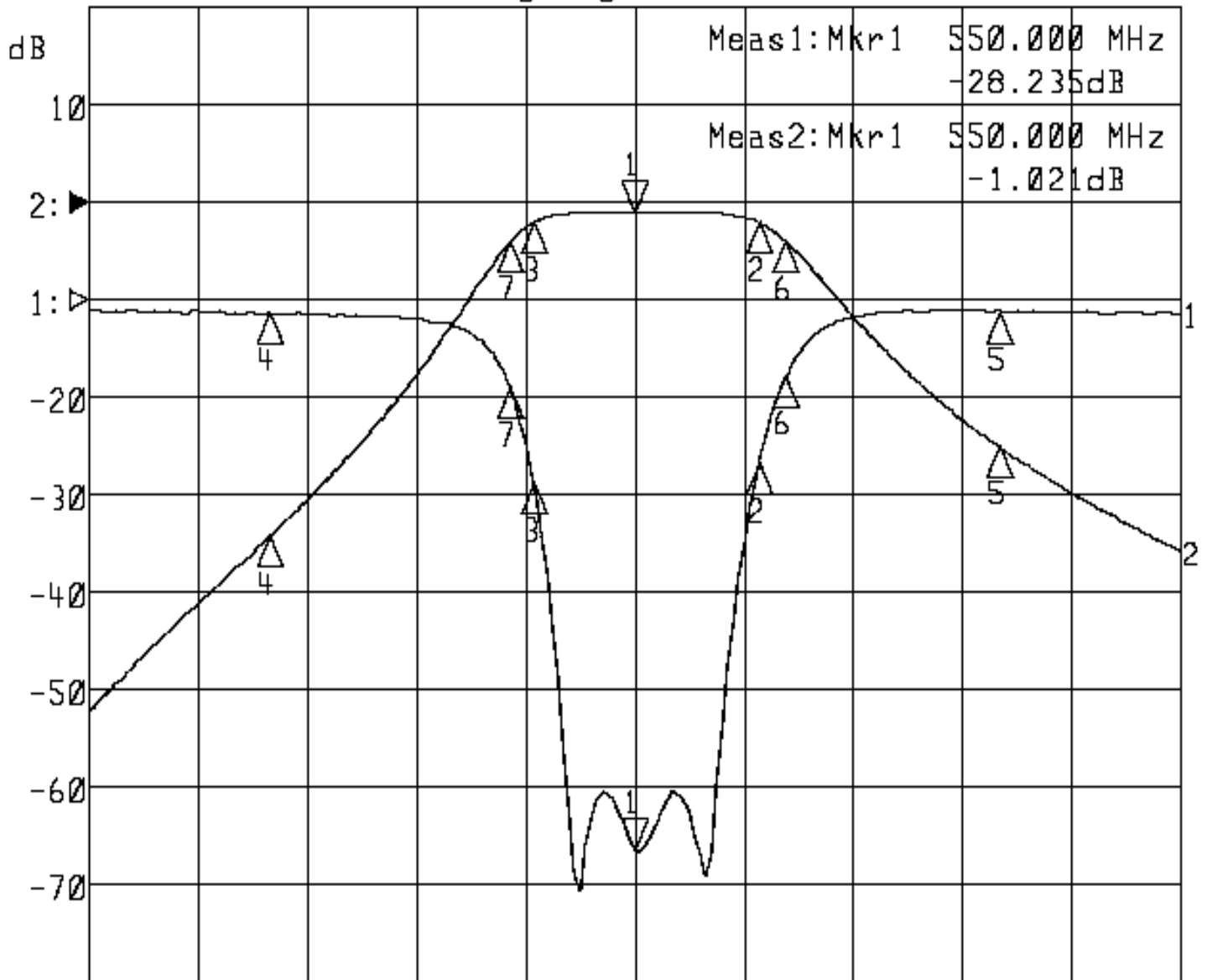
Approval	Supervisor	Designer	Aperture size
C.Y. Chang	C.S. Chang	C.S. Chang	7H3S 4*7.5 7H046LB6

TEMWELL CORPORATION

# Performance-TTL67612B-550M

## 20208075DC

▶1:S11 Refl Port1 Log Mag 5.0 dB/ Ref 0.00 dB C?  
 ▶2:S12 Rev Trans Log Mag 10.0 dB/ Ref 0.00 dB C?



Center 550.000 MHz

Span 300.000 MHz

1:Mkr (MHz)	dB	2:Mkr (MHz)	dB
1> 550.0000	-28.235	1> 550.0000	-1.021
2: 584.0000	-8.372	2: 584.0000	-2.069
3: 522.2000	-9.380	3: 522.2000	-2.026
4: 450.0000	-0.683	4: 450.0000	-34.263
5: 650.0000	-0.580	5: 650.0000	-25.071
6: 591.6000	-3.899	6: 591.6000	-4.058
7: 515.7000	-4.476	7: 515.7000	-4.065