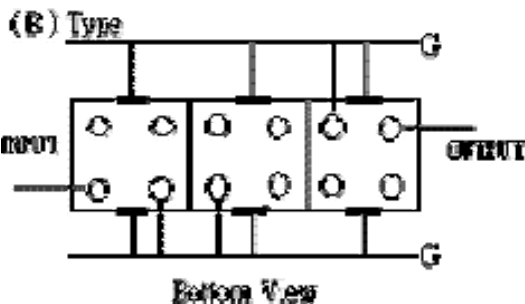
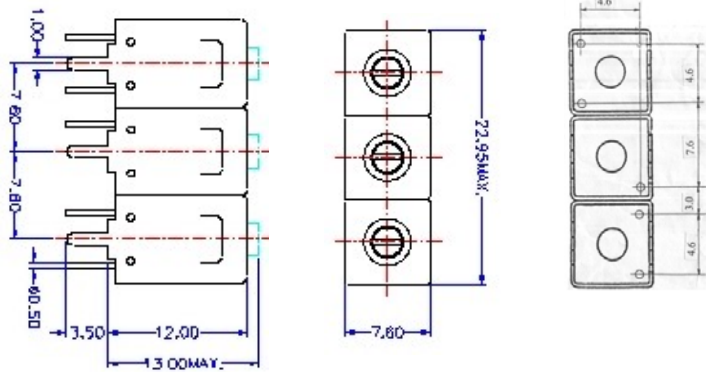


VHF UHF Helical Filter Specification Sheet

Customer Name		Temwell's Part No.	TTL67611B-490M
Approval No. /dated	20208074DC	Acceptable Specify Fo. Range	456~515MHz
Work Instruction No.	20208074DC	Date	Sep. 2, 2002

<p>(1) Pin Position</p>  <p style="text-align: center;">Bottom View</p>	<p>(2) Size Diagram</p> 
--	--

(3) Electric Character

Item	Specify	Performance	
Center Freq.(Fo) +/- 0.5 %	490 MHz	490 MHz	
Tunable Range	490±3 MHz	490±3 MHz	
Insertion Loss	Typ 1.5 dB	0.7 dB	
-1 dB Bandwidth	Typ 60 MHz	64 MHz	
-3 dB Bandwidth	Typ 65 MHz	70 MHz	
Sensitivity (Attenuation)	Fo - 100 MHz	Typ. 32 dBc	34 dBc
	Fo + 100 MHz	Typ. 22 dBc	24 dBc
	Fo - ()MHz	Typ. dBc	dBc
	Fo +()MHz	Typ. dBc	dBc
Return Loss	Min. 12 dB	42 dB	
Ripple	< 1 dB	dB	
Impedance	In / Out : 75 Ω	In / Out : 75 Ω	
(4) Torque for Tuning Screw	> 60gf • cm		

(5) Temperature Condition:

Operating Temperature	0°C ~ +60°C
Storage Temperature	-20°C ~ +70°C

(6) Input Power

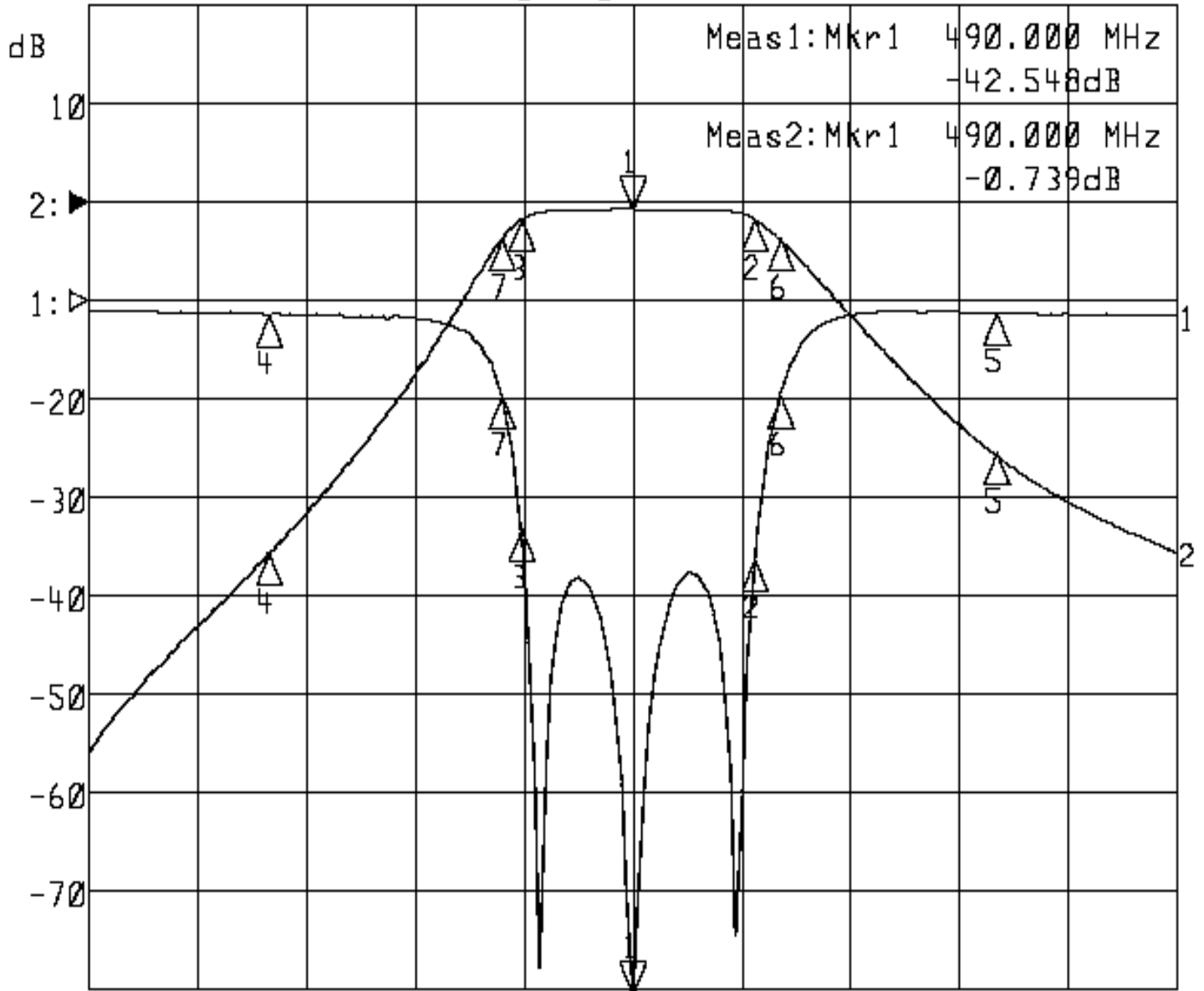
> 1Watt			
Approval	Supervisor	Designer	Aperture size
C.Y. Chang	C.S. Chang	C.S. Chang	7H3S,4*7.5 7H046LB6

TEMWELL CORPORATION

Performance-TTL67611B-490M

20208074DC

▶1: S11 Refl Port1 Log Mag 5.0 dB/ Ref 0.00 dB C
 ▶2: S12 Rev Trans Log Mag 10.0 dB/ Ref 0.00 dB C



Meas1: Mkr1 490.000 MHz
 -42.548 dB
 Meas2: Mkr1 490.000 MHz
 -0.739 dB

Center 490.000 MHz

Span 300.000 MHz

1: Mkr (MHz)	dB	2: Mkr (MHz)	dB
1> 490.0000	-42.548	1> 490.0000	-0.739
2: 523.7000	-13.073	2: 523.7000	-1.744
3: 459.3000	-11.617	3: 459.3000	-1.769
4: 390.0000	-0.732	4: 390.0000	-35.629
5: 590.0000	-0.644	5: 590.0000	-25.618
6: 530.4667	-4.849	6: 530.4667	-3.734
7: 453.8667	-4.817	7: 453.8667	-3.771