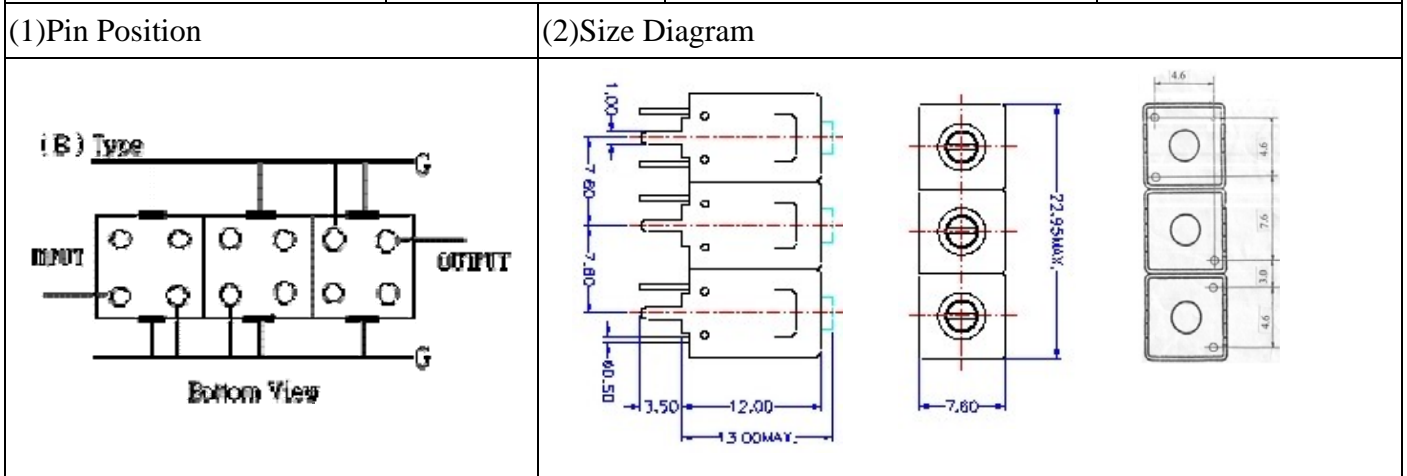


VHF UHF Helical Filter Specification Sheet

Customer Name		Temwell's Part No.	TTL67605B-460M
Approval No. /dated	20208066DC	Acceptable Specify Fo. Range	456~515MHz
Work Instruction No.	20208066DC	Date	Aug. 21, 2002



(3) Electric Character			
Item	Specify	Performance	
Center Freq.(Fo) +/- 0.5 %	460 MHz	460	MHz
Tunable Range	460±3 MHz	460±3	MHz
Insertion Loss	Typ 1.5 dB	0.6	dB
-1 dB Bandwidth	Typ 40 MHz	44	MHz
-3 dB Bandwidth	Typ 45 MHz	50	MHz
Sensitivity (Attenuation)	Fo - 100 MHz	Typ. 47	dBc
	Fo + 100 MHz	Typ. 32	dBc
	Fo - ()MHz	Typ.	dBc
	Fo +()MHz	Typ.	dBc
Return Loss	Min. 12 dB	19	dB
Ripple	< 1 dB		dB
Impedance	In / Out : 75 Ω	In / Out : 75 Ω	

(4) Torque for Tuning Screw > 60gf • cm

(5) Temperature Condition:	
Operating Temperature	0°C ~ +60°C
Storage Temperature	-20°C ~ +70°C

(6) Input Power > 1Watt

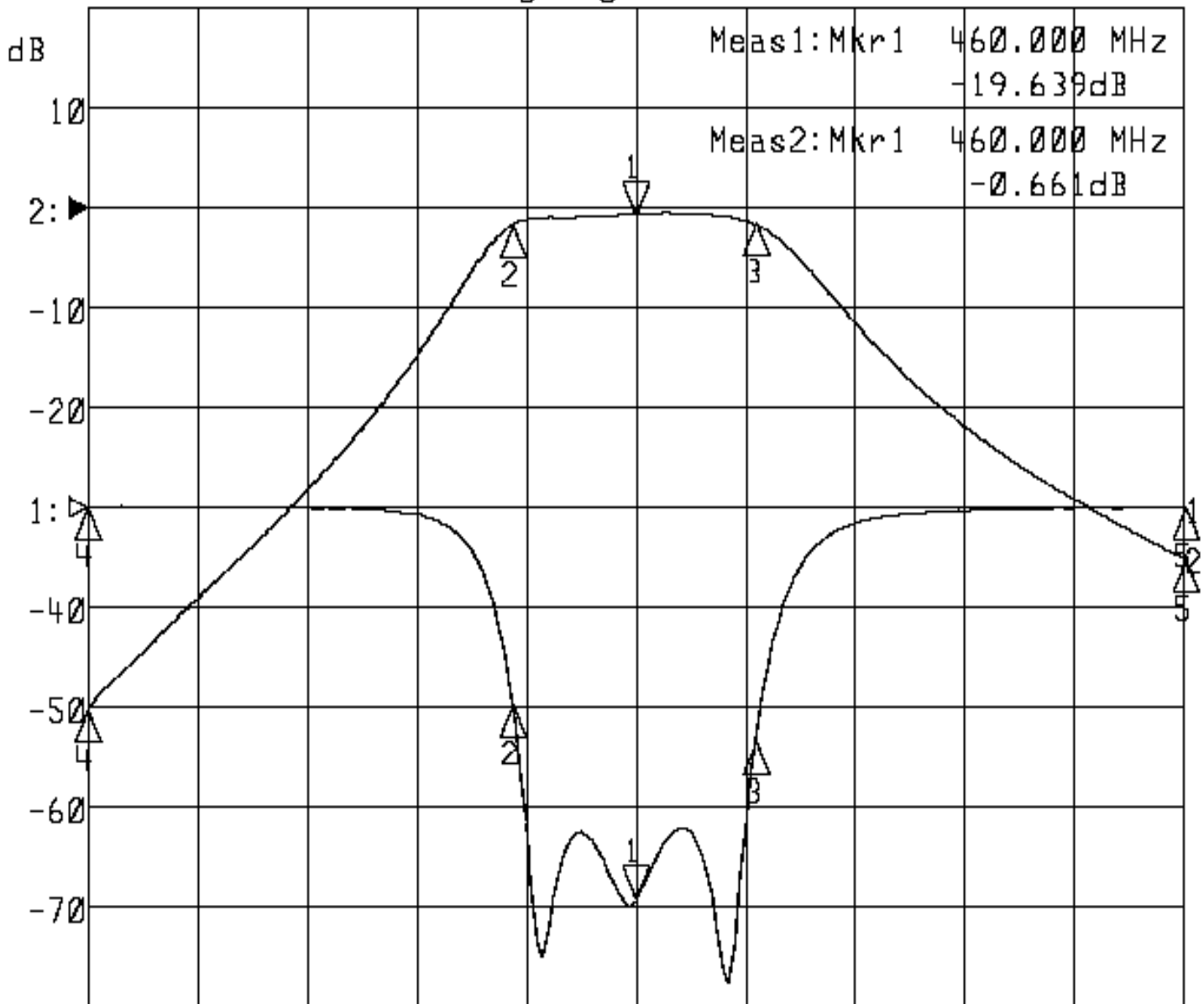
Approval	Supervisor	Designer	Aperture size
C.Y. Chang	C.S. Chang	C.S. Chang	7H3S(4*7.5)F 7H046LB5

TEMWELL CORPORATION

Performance-TTL67605B-460M

20208066DC

▶1:S11 Refl Port1 Log Mag 5.0 dB/ Ref 0.00 dB C
▶2:S21 Fwd Trans Log Mag 10.0 dB/ Ref 0.00 dB C



Center 460.000 MHz

Span 200.000 MHz

1:Mkr (MHz)	dB	2:Mkr (MHz)	dB
1> 460.0000	-19.639	1> 460.0000	-0.661
2: 437.6000	-9.910	2: 437.6000	-1.635
3: 481.8000	-11.690	3: 481.8000	-1.622
4: 360.0000	0.029	4: 360.0000	-50.166
5: 560.0000	-0.037	5: 560.0000	-35.168