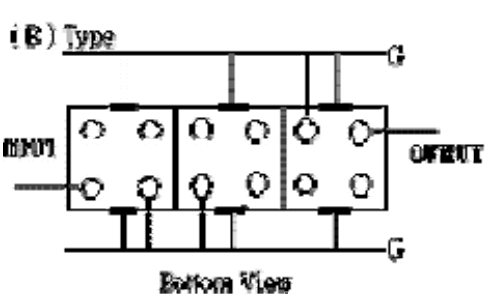
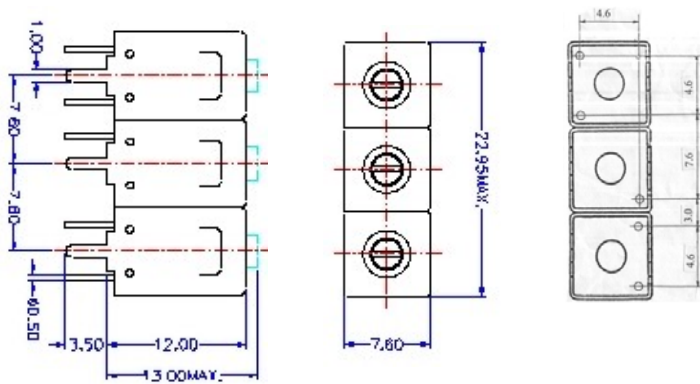


VHF UHF Helical Filter Specification Sheet

Customer Name		Temwell's Part No.	TTL67604B-420M
Approval No. /dated	20208065DC	Acceptable Specify Fo. Range	401~455MHz
Work Instruction No.	20208065DC	Date	Aug. 20, 2002

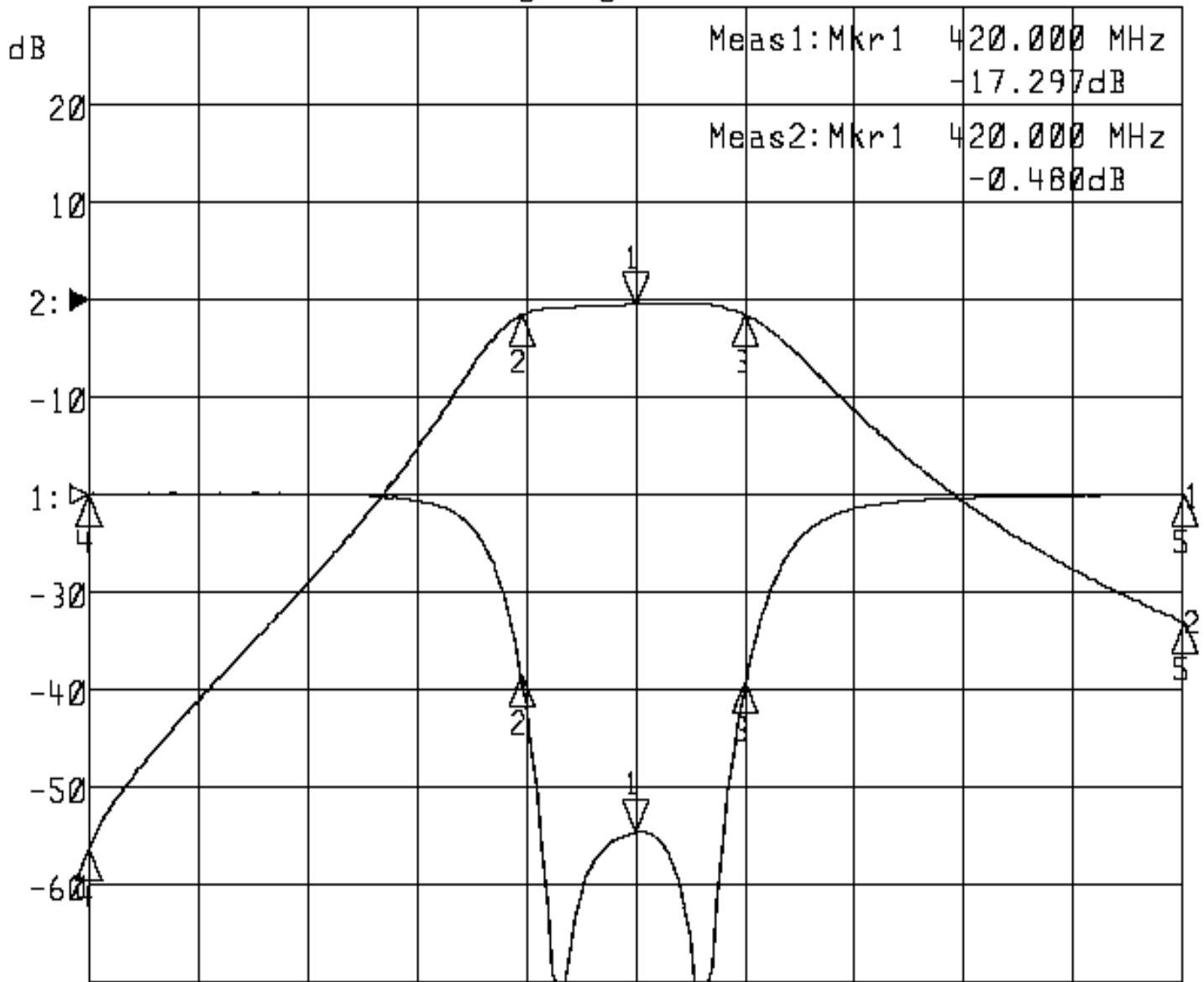
<p>(1) Pin Position</p>  <p style="text-align: center;">Bottom View</p>	<p>(2) Size Diagram</p> 
--	--

(3) Electric Character			
Item		Specify	Performance
Center Freq.(Fo) +/- 0.5 %		420 MHz	420 MHz
Tunable Range		420±5 MHz	420±5 MHz
Insertion Loss		Typ 1.5 dB	0.4 dB
-1 dB Bandwidth		Typ 39 MHz	41 MHz
-3 dB Bandwidth		Typ 43 MHz	45 MHz
Sensitivity (Attenuation)	Fo - 100 MHz	Typ. 53 dBc	55 dBc
	Fo + 100 MHz	Typ. 30 dBc	32 dBc
	Fo - ()MHz	Typ. dBc	dBc
	Fo +()MHz	Typ. dBc	dBc
Return Loss		Min. 12 dB	17 dB
Ripple		< 1 dB	dB
Impedance		In / Out : 75 Ω	In / Out : 75 Ω
(4) Torque for Tuning Screw		> 100gf · cm	
(5) Temperature Condition:			
Operating Temperature		0°C ~ +60°C	
Storage Temperature		-20°C ~ +70°C	
(6) Input Power		> 1Watt	
Approval	Supervisor	Designer	Aperture size
C.Y. Chang	C.S. Chang	C.S. Chang	7H3S 4*8.0 7H046LB5.5
TEMWELL CORPORATION			

Performance-TTL67604B-420M

20208065DC

▷1:S11 Refl Port1 Log Mag 5.0 dB/ Ref 0.00 dB C?
▶2:S21 Fwd Trans Log Mag 10.0 dB/ Ref 0.00 dB C?



Center 420.000 MHz

Span 200.000 MHz

1:Mkr (MHz)	dB	2:Mkr (MHz)	dB
1> 420.0000	-17.297	1> 420.0000	-0.480
2: 399.1333	-9.212	2: 399.1333	-1.520
3: 440.1333	-9.641	3: 440.1333	-1.526
4: 320.0000	0.037	4: 320.0000	-56.305
5: 520.0000	0.009	5: 520.0000	-32.993