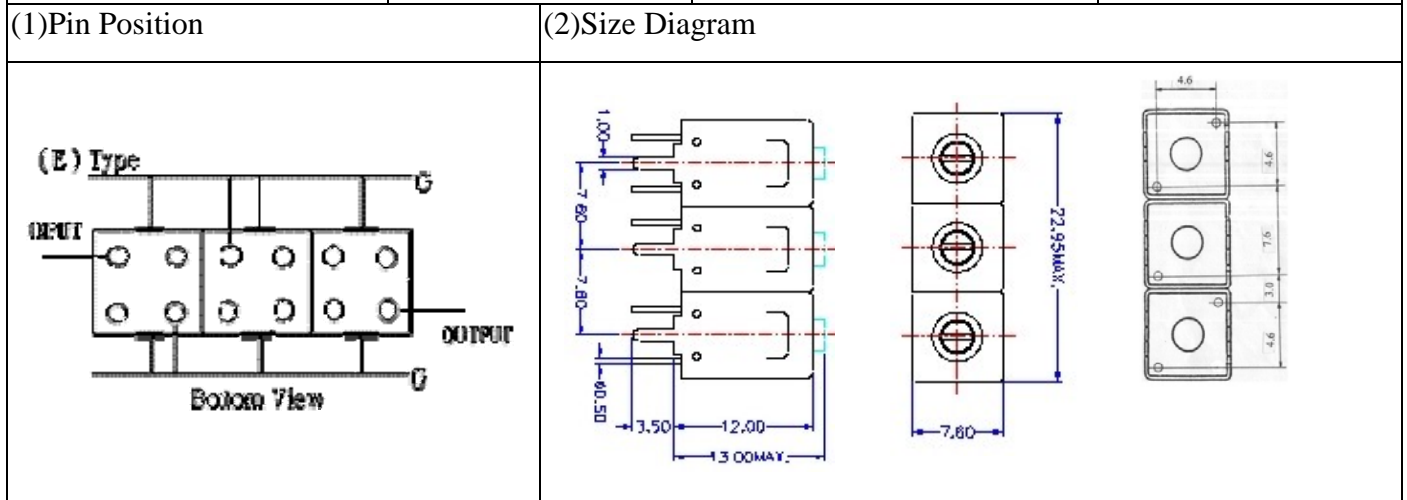


# VHF UHF Helical Filter Specification Sheet

Customer Name		Temwell's Part No.	TTL67558E-997.5M
Approval No. /dated	20312005DB	Temwell,s print name	976~1000MHz
Work Instruction No.	20312005DB	Date	Dec.03.2003



(3)Electric Chararistic

Item	Specify	Performance	
Center Freq.(Fo ) +/- 0.5 %	997.5 MHz	997.5 MHz	
Tunable Range:	997.5±5 MHz	997.5±5 MHz	
Insertion Loss	Typ. 2.0 dB	1.21 dB	
-3 dB Bandwidth	Typ. 73 MHz	78 MHz	
Sensitivity (Attenuation )	Fo - 200 MHz	Typ. 48 dBc	51 dBc
	Fo + 200 MHz	Typ. 45 dBc	48 dBc
	Fo - ( )MHz	Typ. dBc	dBc
	Fo +( )MHz	Typ. dBc	dBc
Return Loss	Min. 12 dB	15.7 dB	
Ripple	< 1 dB	dB	
Impedance	In / Out : 75 Ω	In / Out : 75 Ω	
(4)Torque for Tuning Screw	> 100gf · cm		

(5)Temperature Condition:

Operating Temperature	0°C ~ +60°C
Storage Temperature	-20°C ~ +70°C
(6)Input Power	> 1Watt

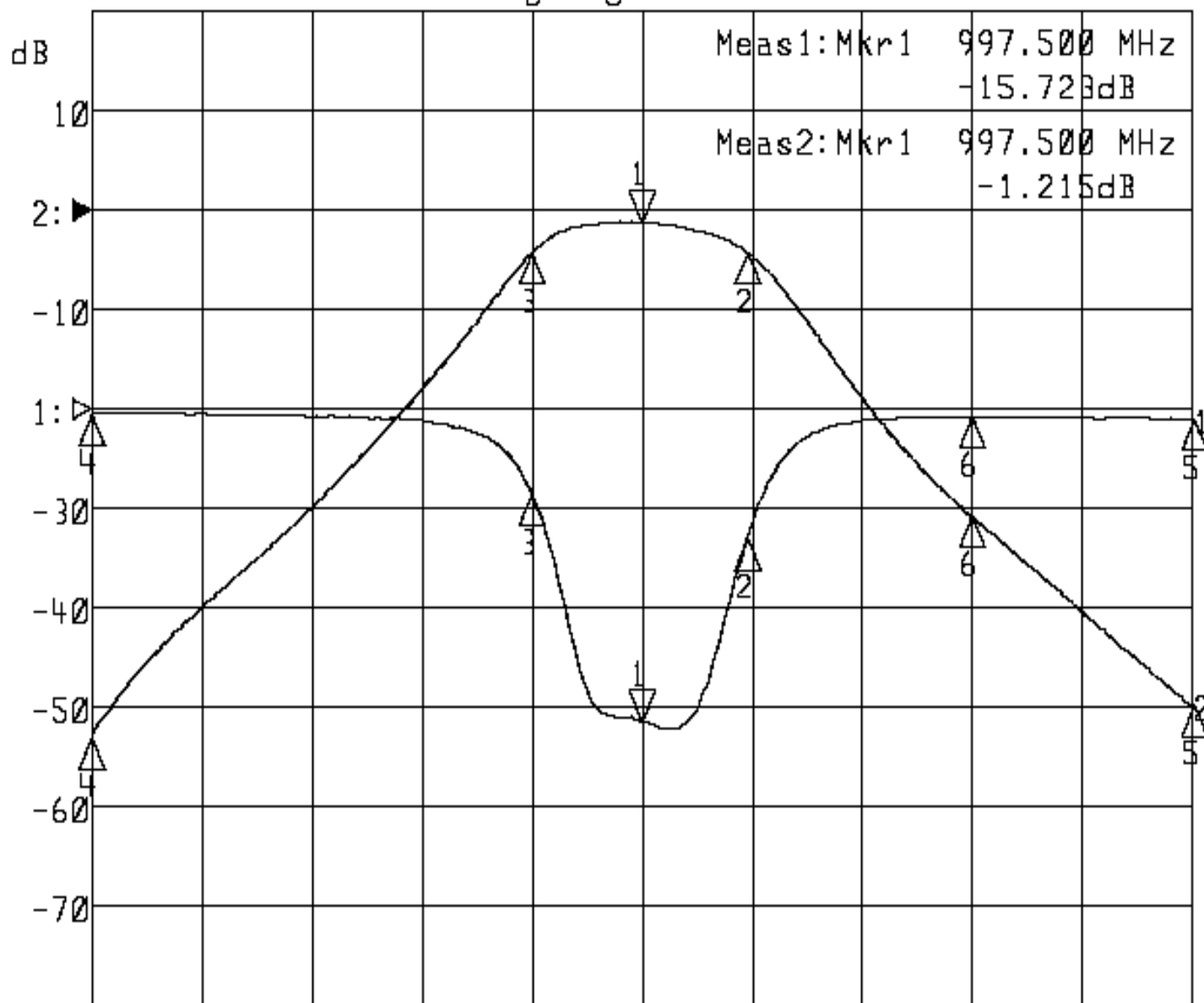
Approval	Supervisor	Designer	Aperture size
C. Y. Chang	C. S. Chang	C. S. Chang	7H3S(4*7.5) 7H046LB6

TEMWELL CORPORATION

# Performance-TTL67558E-997.5M

## 20312005DB

▷1:S11 Refl Port1 Log Mag 5.0 dB/ Ref 0.00 dB C  
▶2:S21 Fwd Trans Log Mag 10.0 dB/ Ref 0.00 dB C



Center 997.500 MHz

Span 400.000 MHz

1: Mkr (MHz)	dB	2: Mkr (MHz)	dB
1> 997.5000	-15.723	1> 997.5000	-1.215
2: 1035.6333	-6.512	2: 1035.6333	-4.204
3: 957.6333	-4.241	3: 957.6333	-4.220
4: 797.5000	-0.223	4: 797.5000	-52.956
5: 1197.5000	-0.508	5: 1197.5000	-49.770
6: 1117.5000	-0.415	6: 1117.5000	-30.841