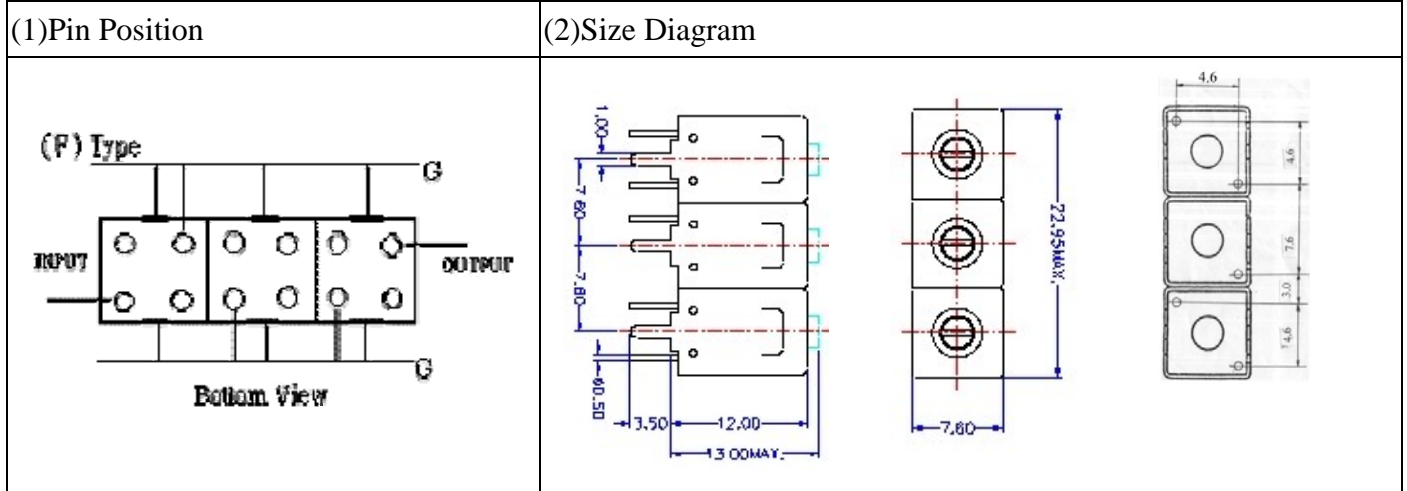


VHF UHF Helical Filter Specification Sheet

Customer Name		Temwell's Part No.	TTL67552F-858.5M
Approval No. /dated	20303035DB	Acceptable Specify Fo. Range	831~860MHz
Work Instruction No.	20303035DB	Date	March 19, 2003



(3) Electric Character			
Item	Specify	Performance	
Center Freq.(Fo) +/- 0.5 %	858.5 MHz	858.5 MHz	
Tunable Range	858.5±10MHz	858.5±10MHz	
Insertion Loss	Typ. 3.0 dB	1.94 dB	
-1 dB Bandwidth	Typ. 22 MHz	26.6 MHz	
-3 dB Bandwidth	Typ. 27 MHz	32 MHz	
Sensitivity (Attenuation)	Fo - 100 MHz	Typ. 58 dBc	61 dBc
	Fo + 100 MHz	Typ. 41 dBc	44 dBc
	Fo - ()MHz	Typ. dBc	dBc
	Fo +()MHz	Typ. dBc	dBc
Return Loss	Min. 12 dB	dB	
Ripple	< 1 dB	dB	
Impedance	In / Out : 75 Ω	In / Out : 75 Ω	
(4) Torque for Tuning Screw	> 100gf · cm		

(5) Temperature Condition:	
Operating Temperature	0°C ~ +60°C
Storage Temperature	-20°C ~ +70°C
(6) Input Power	> 1Watt

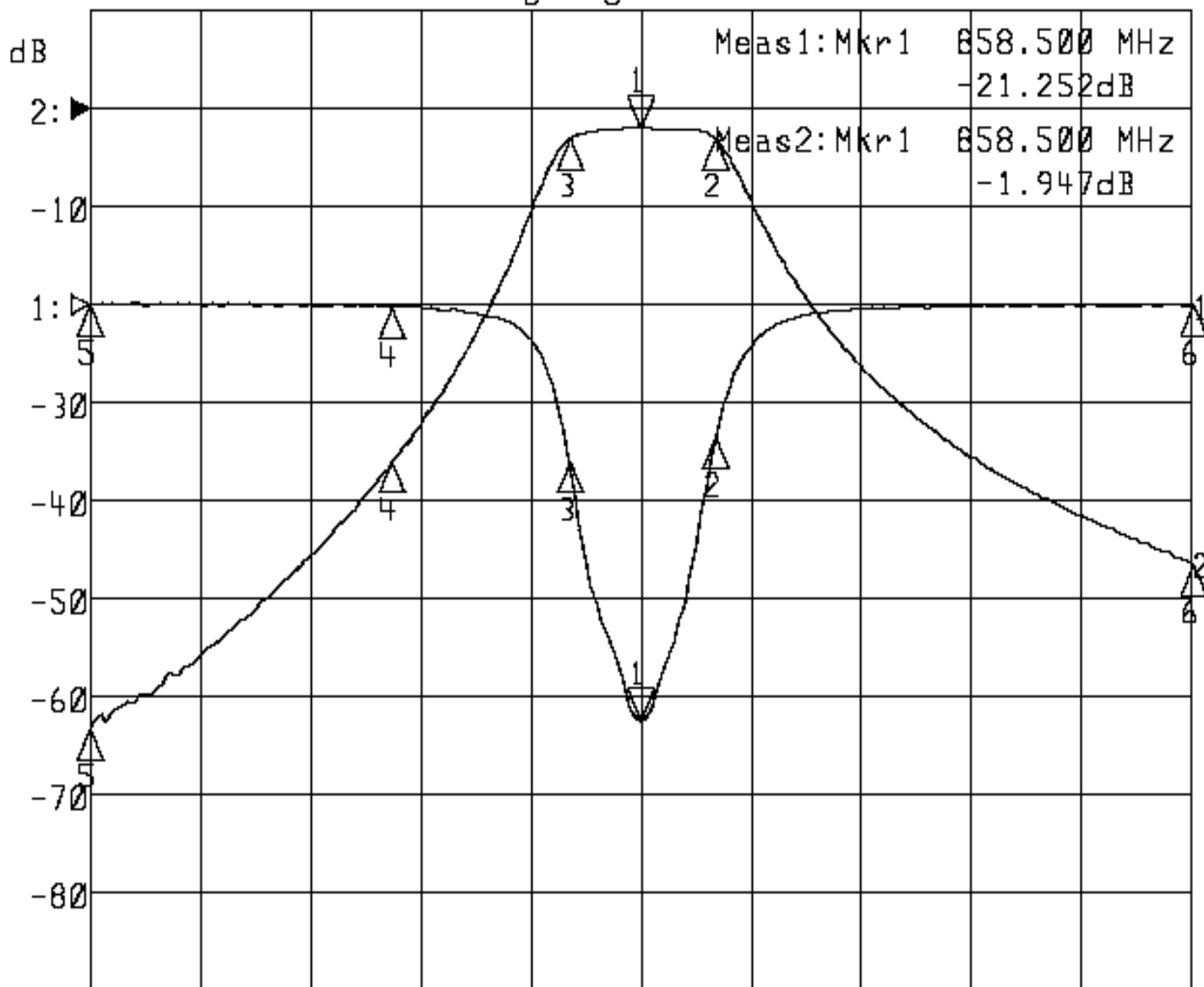
Approval	Supervisor	Designer	Aperture size
C.Y.Chang	C.S.Chang	C.S.Chang	7H3S(4*5.5) 7H046LB4 聚 3

TEMWELL CORPORATION

Performance- TTL67552F-858.5M

20303035DB

▷1:S11 Refl Port1 Log Mag 5.0 dB/ Ref 0.00 dB C
 ▶2:S21 Fwd Trans Log Mag 10.0 dB/ Ref 0.00 dB C



Center 858.500 MHz

Span 200.000 MHz

1:Mkr (MHz)	dB	2:Mkr (MHz)	dB
1> 858.5000	-21.252	1> 858.5000	-1.947
2: 872.1667	-6.788	2: 872.1667	-3.017
3: 845.5667	-8.053	3: 845.5667	-3.049
4: 813.5000	-0.122	4: 813.5000	-35.890
5: 758.5000	0.018	5: 758.5000	-63.132
6: 958.5000	-0.028	6: 958.5000	-46.432