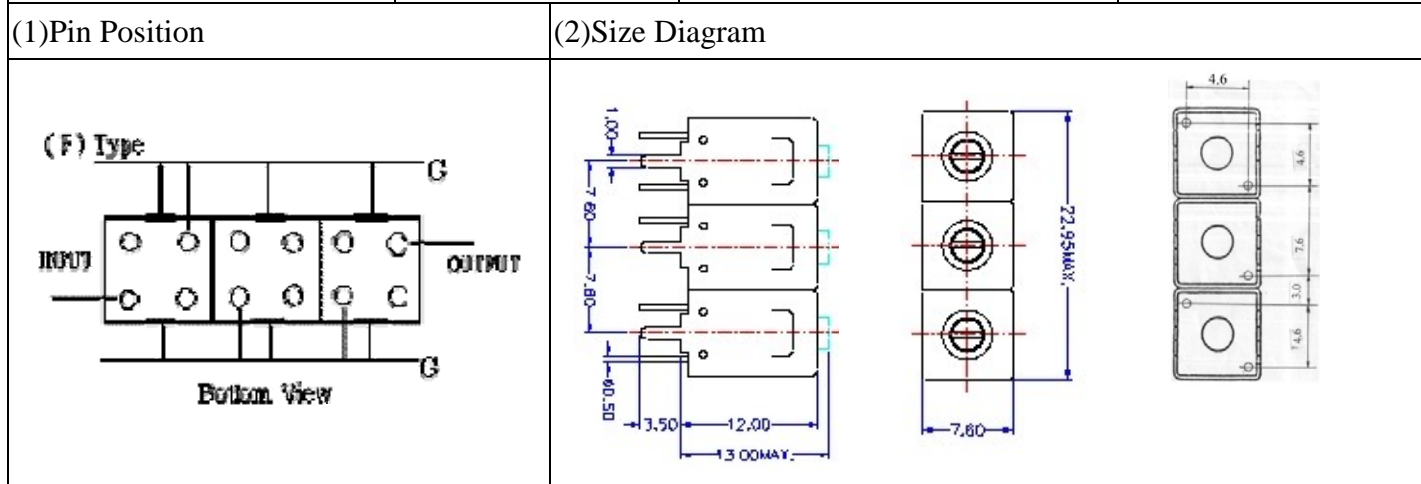


VHF UHF Helical Filter Specification Sheet

Customer Name		Temwell's Part No.	TTL67547F-743M
Approval No. /dated	20302048DB	Acceptable Specify Fo. Range	701~750MHz
Work Instruction No.	20302048DB	Date	Feb. 19, 2003



(3) Electric Character

Item	Specify	Performance	
Center Freq.(Fo) +/- 0.5 %	743 MHz	743 MHz	
Tunable Range	743±5 MHz	743±5 MHz	
Insertion Loss	Typ. 4.0 dB	3.0 dB	
-1 dB Bandwidth	Typ. 3 MHz	9 MHz	
-3 dB Bandwidth	Typ. 5 MHz	10 MHz	
Sensitivity (Attenuation)	Fo - 23 MHz	Typ. 29 dBc	31 dBc
	Fo + 23 MHz	Typ. 25 dBc	27 dBc
	Fo - ()MHz	Typ. dBc	dBc
	Fo + ()MHz	Typ. dBc	dBc
Return Loss	Min. 14 dB	17 dB	
Ripple	< 1 dB	dB	
Impedance	In / Out : 75 Ω	In / Out : 75 Ω	
(4) Torque for Tuning Screw	> 60gf · cm		

(5) Temperature Condition:

Operating Temperature	0°C ~ +60°C
Storage Temperature	-20°C ~ +70°C

(6) Input Power

	> 1Watt
--	---------

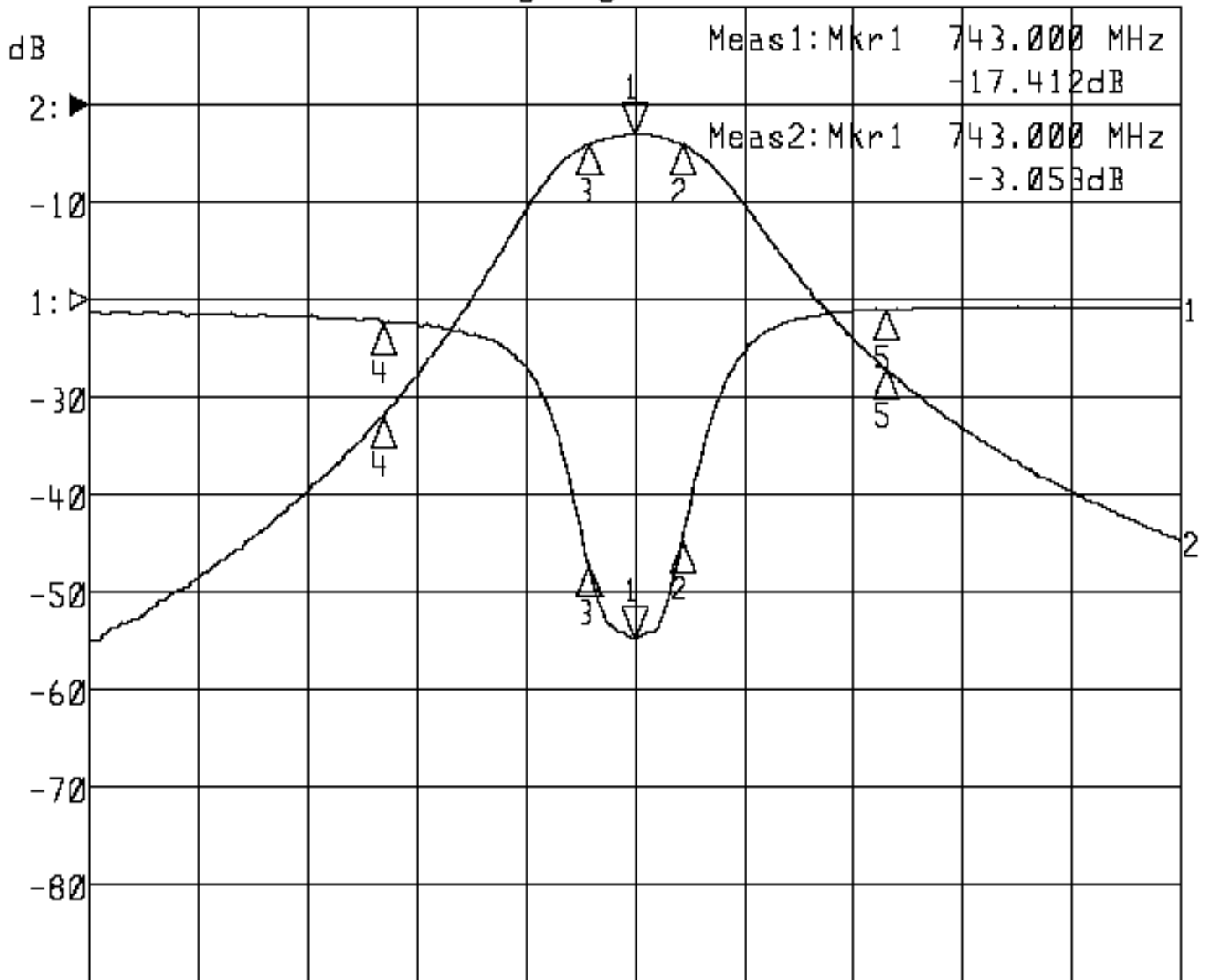
Approval	Supervisor	Designer	Aperture size
C. Y.Chang	C. S.Chang	C. S.Chang	7H3S(4*6.5)F 7H046LB4 聚 3

TEMWELL CORPORATION

Performance-TTL67547F-743M

20302048DB

▶1:S11 Refl Port1 Log Mag 5.0 dB/ Ref 0.00 dB C
▶2:S21 Fwd Trans Log Mag 10.0 dB/ Ref 0.00 dB C



Center 743.000 MHz

Span 100.000 MHz

1:Mkr (MHz)	dB	2:Mkr (MHz)	dB
1> 743.0000	-17.412	1> 743.0000	-3.053
2: 747.3333	-12.370	2: 747.3333	-4.033
3: 738.7667	-13.575	3: 738.7667	-4.045
4: 720.0000	-1.190	4: 720.0000	-31.905
5: 766.0000	-0.510	5: 766.0000	-27.095