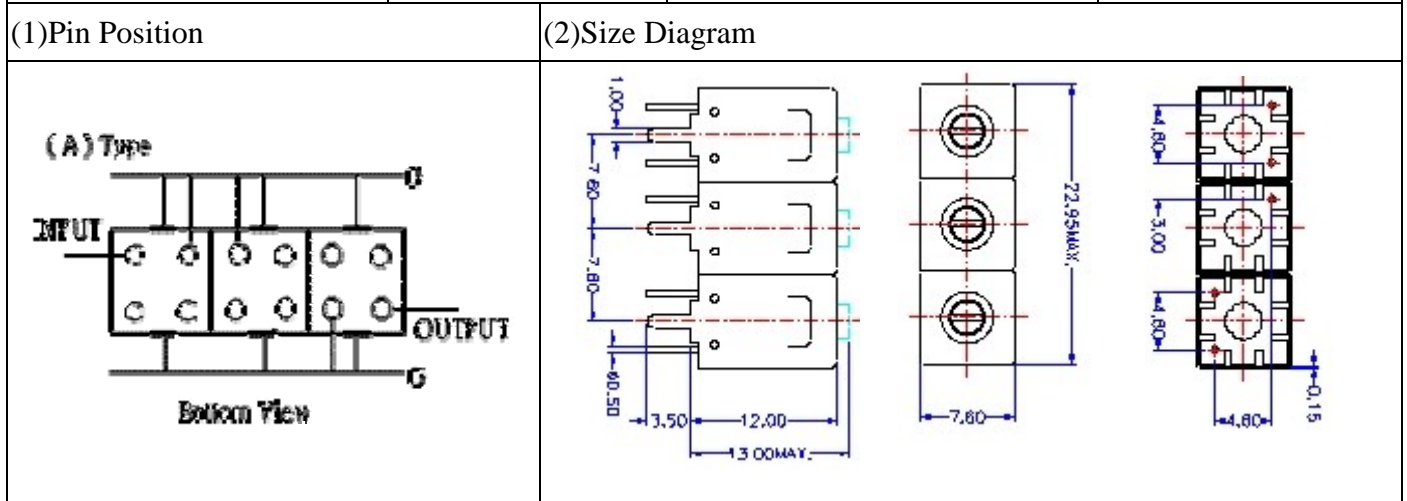


VHF UHF Helical Filter Specification Sheet

Customer Name		Temwell's Part No.	TTL67539A-845M
Approval No. /dated	20208025DC	Acceptable Specify Fo. Range	831~860MHz
Work Instruction No.	20208025DC	Date	Aug. 09, 2002



(3) Electric Character

Item	Specify	Performance
Center Freq.(Fo) +/- 0.5 %	845 MHz	845 MHz
Tunable Range	845±5 MHz	845±5 MHz
Insertion Loss	Typ. 2.0 dB	1.27 dB
-3 dB Bandwidth	Typ. 56 MHz	60.6 MHz
Sensitivity (Attenuation)	Fo - 100 MHz	Typ. 43 dBc
	Fo + 100 MHz	Typ. 25 dBc
	Fo - ()MHz	Typ. dBc
	Fo +()MHz	Typ. dBc
Return Loss	Min. 12 dB	33.8 dB
Ripple	< 1 dB	dB
Impedance	In / Out : 75 Ω	In / Out : 75 Ω

(4) Torque for Tuning Screw > 100gf • cm

(5) Temperature Condition:

Operating Temperature	0°C ~ +60°C
Storage Temperature	-20°C ~ +70°C

(6) Input Power > 1Watt

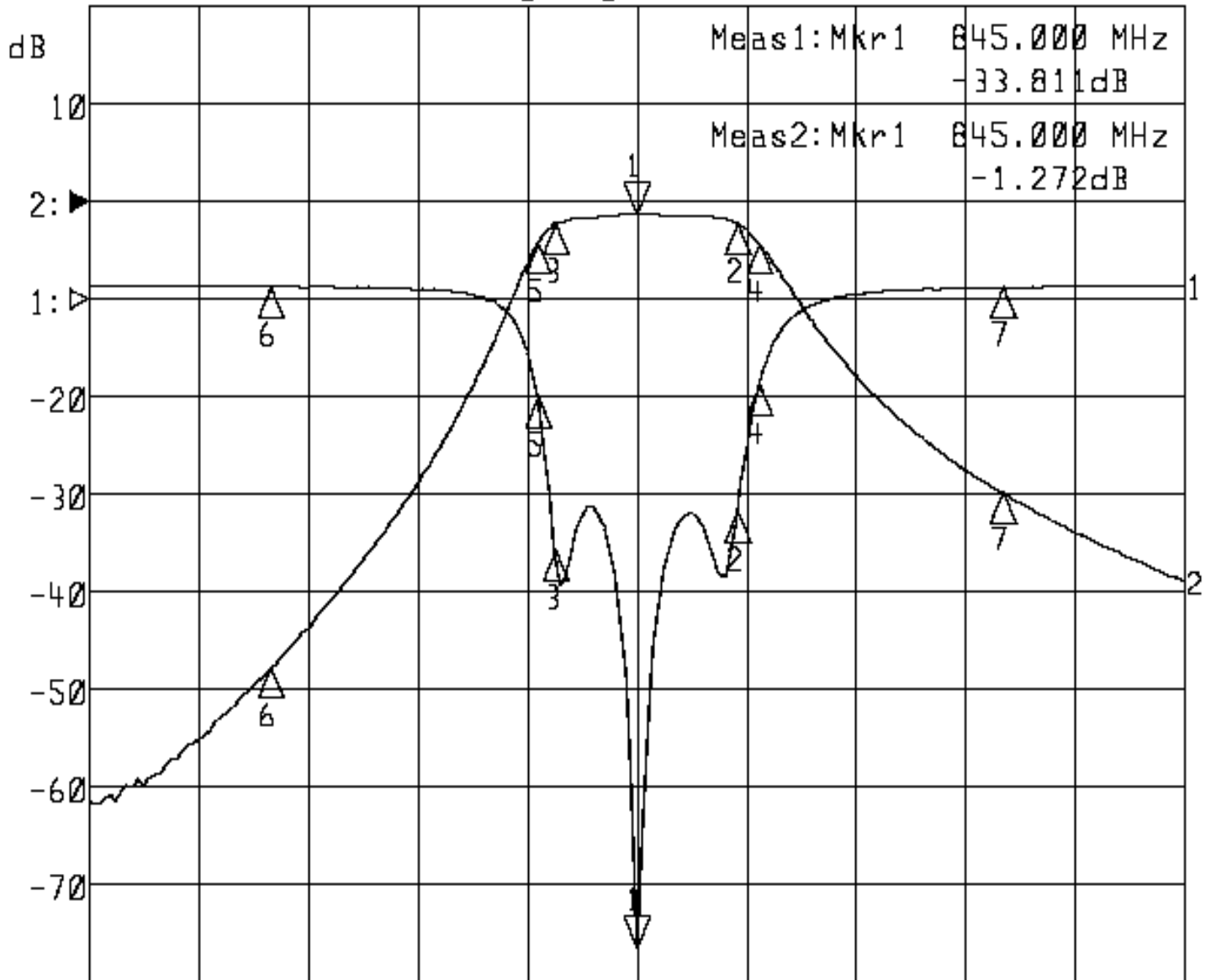
Approval	Supervisor	Designer	Aperture size
C.Y.Chang	C.S.Chang	C.S.Chang	7H3S(4*6.5) 7H046LB5

TEMWELL CORPORATION

Performance-TTL67539A-845M

20208025DC

▶1:S11 Refl Port1 Log Mag 5.0 dB/ Ref -0.55 dB C
 ▶2:S12 Rev Trans Log Mag 10.0 dB/ Ref 0.00 dB C



Meas1:Mkr1 845.000 MHz
 -33.811dB
 Meas2:Mkr1 845.000 MHz
 -1.272dB

Center 845.000 MHz

Span 300.000 MHz

1:Mkr (MHz)	dB	2:Mkr (MHz)	dB
1> 845.0000	-33.811	1> 845.0000	-1.272
2: 872.4000	-11.433	2: 872.4000	-2.222
3: 822.6000	-13.477	3: 822.6000	-2.272
4: 878.4000	-4.947	4: 878.4000	-4.256
5: 817.8000	-5.594	5: 817.8000	-4.301
6: 745.0000	0.088	6: 745.0000	-47.813
7: 945.0000	0.018	7: 945.0000	-29.856