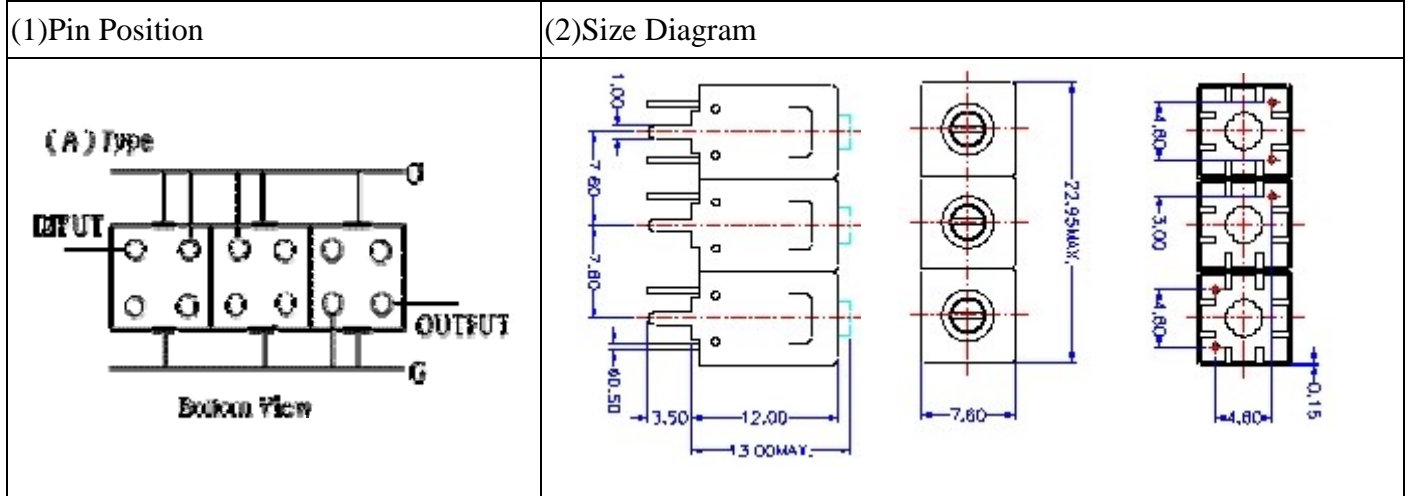


# VHF UHF Helical Filter Specification Sheet

Customer Name		Temwell's Part No.	TTL67538A-810M
Approval No. /dated	20208024DC	Acceptable Specify Fo. Range	801~830MHz
Work Instruction No.	20208024DC	Date	Aug. 09, 2002



(3) Electric Character

Item	Specify	Performance
Center Freq.(Fo) +/- 0.5 %	810 MHz	810 MHz
Tunable Range	810±5 MHz	810±5 MHz
Insertion Loss	Typ. 2.0 dB	0.99 dB
-3 dB Bandwidth	Typ. 61 MHz	65.9 MHz
Sensitivity (Attenuation)	Fo - 100 MHz	Typ. 37 dBc
	Fo + 100 MHz	Typ. 21 dBc
	Fo - ( )MHz	Typ. dBc
	Fo +( )MHz	Typ. dBc
Return Loss	Min. 12 dB	24.0 dB
Ripple	< 1 dB	dB
Impedance	In / Out : 75 Ω	In / Out : 75 Ω
(4) Torque for Tuning Screw	> 100gf • cm	

(5) Temperature Condition:

Operating Temperature	0°C ~ +60°C
Storage Temperature	-20°C ~ +70°C

(6) Input Power

	> 1Watt
--	---------

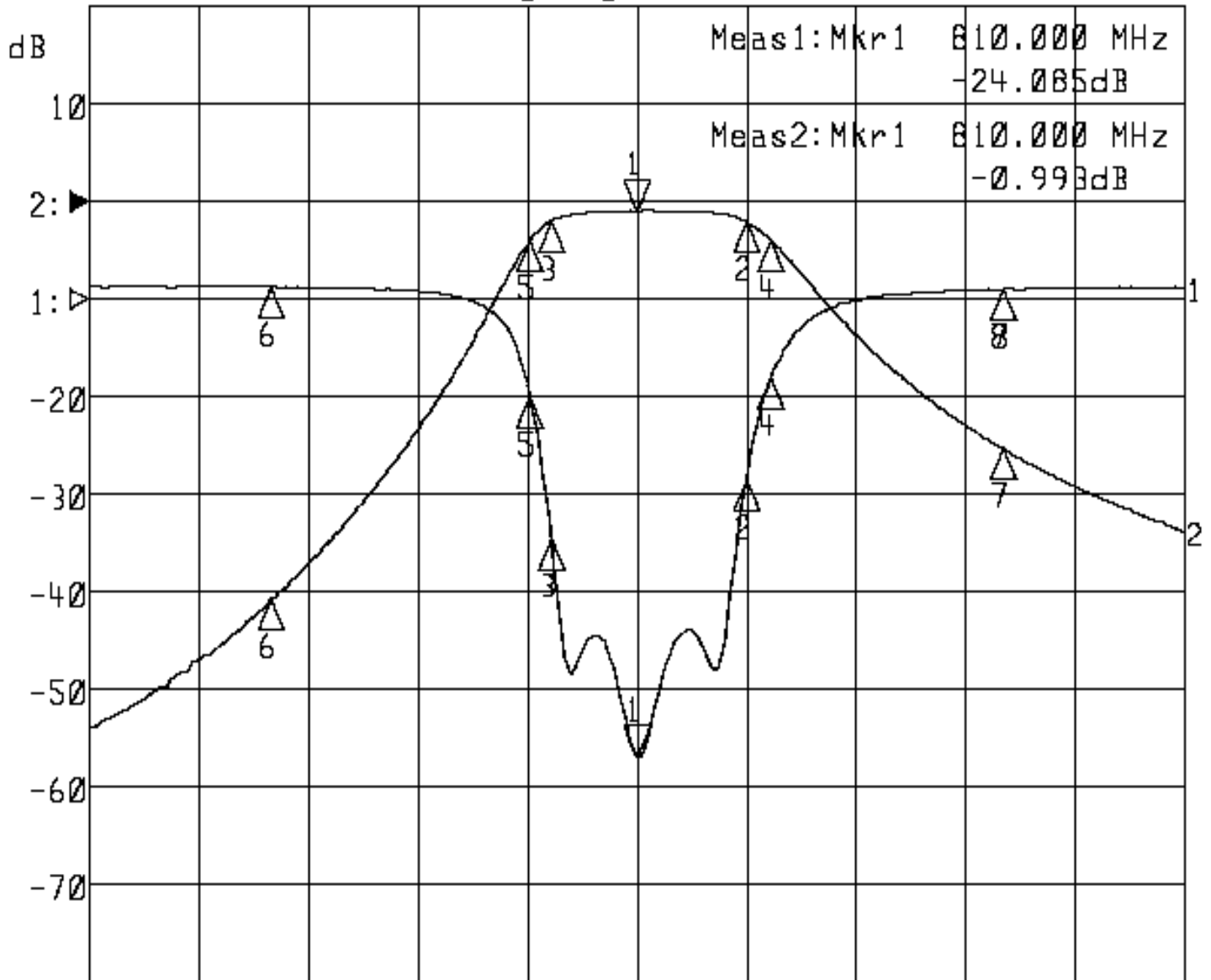
Approval	Supervisor	Designer	Aperture size
C.Y.Chang	C.S.Chang	C.S.Chang	7H3S(4*6.5) 7H046LB5

TEMWELL CORPORATION

# Performance-TTL67538A-810M

## 20208024DC

▶1:S11 Refl Port1 Log Mag 5.0 dB/ Ref -0.55 dB C  
 ▶2:S12 Rev Trans Log Mag 10.0 dB/ Ref 0.00 dB C



Meas1:Mkr1 810.000 MHz  
 -24.085dB  
 Meas2:Mkr1 810.000 MHz  
 -0.993dB

Center 810.000 MHz

Span 300.000 MHz

1:Mkr (MHz)	dB	2:Mkr (MHz)	dB
1> 810.0000	-24.085	1> 810.0000	-0.993
2: 839.8000	-9.823	2: 839.8000	-2.018
3: 786.6000	-12.774	3: 786.6000	-1.952
4: 846.7000	-4.567	4: 846.7000	-3.946
5: 780.8000	-5.489	5: 780.8000	-3.949
6: 710.0000	0.061	6: 710.0000	-40.845
7: 910.0000	-0.077	7: 910.0000	-25.309
8: 910.0000	-0.077		