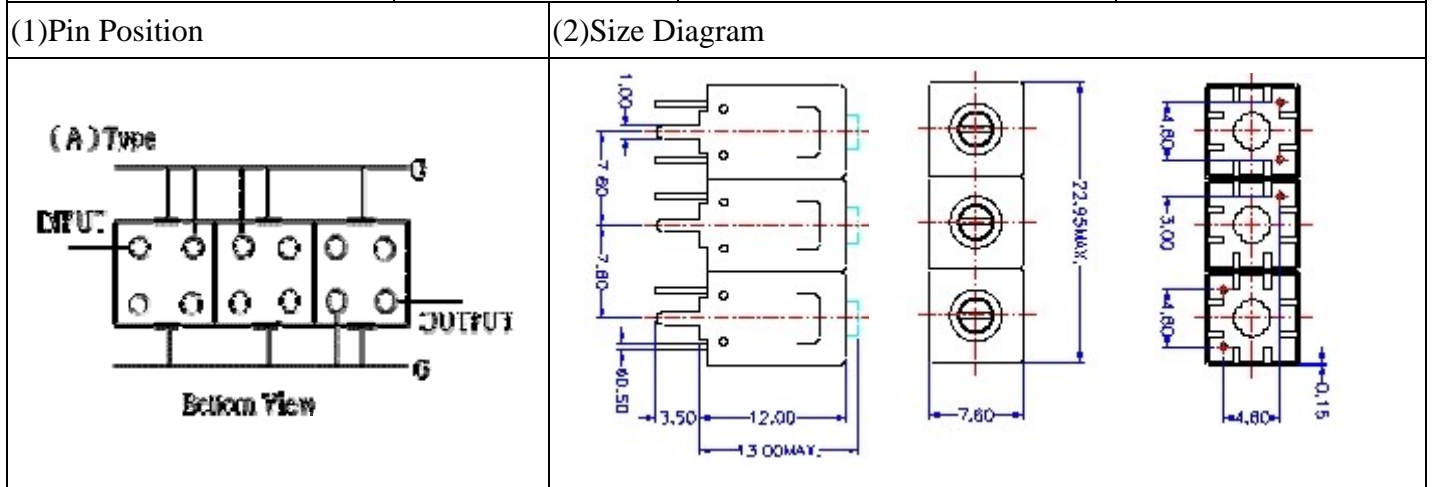


VHF UHF Helical Filter Specification Sheet

Customer Name		Temwell's Part No.	TTL67537A-775M
Approval No. /dated	20208023DC	Acceptable Specify Fo. Range	751~800MHz
Work Instruction No.	20208023DC	Date	Aug. 16, 2002



(3) Electric Character			
Item	Specify	Performance	
Center Freq.(Fo) +/- 0.5 %	775 MHz	775 MHz	
Tunable Range	775±3 MHz	775±3 MHz	
Insertion Loss	Typ. 3.0 dB	1.9 dB	
-1 dB Bandwidth	Typ. 36 MHz	44 MHz	
-3 dB Bandwidth	Typ. 40 MHz	55 MHz	
Sensitivity (Attenuation)	Fo - 100 MHz	Typ. 39 dBc	41 dBc
	Fo + 100 MHz	Typ. 25 dBc	27 dBc
	Fo - ()MHz	Typ. dBc	dBc
	Fo + ()MHz	Typ. dBc	dBc
Return Loss	Min. 12 dB	25 dB	
Ripple	< 1 dB	dB	
Impedance	In / Out : 75 Ω	In / Out : 75 Ω	
(4) Torque for Tuning Screw	> 60gf • cm		

(5) Temperature Condition:	
Operating Temperature	0°C ~ +60°C
Storage Temperature	-20°C ~ +70°C
(6) Input Power	> 1Watt

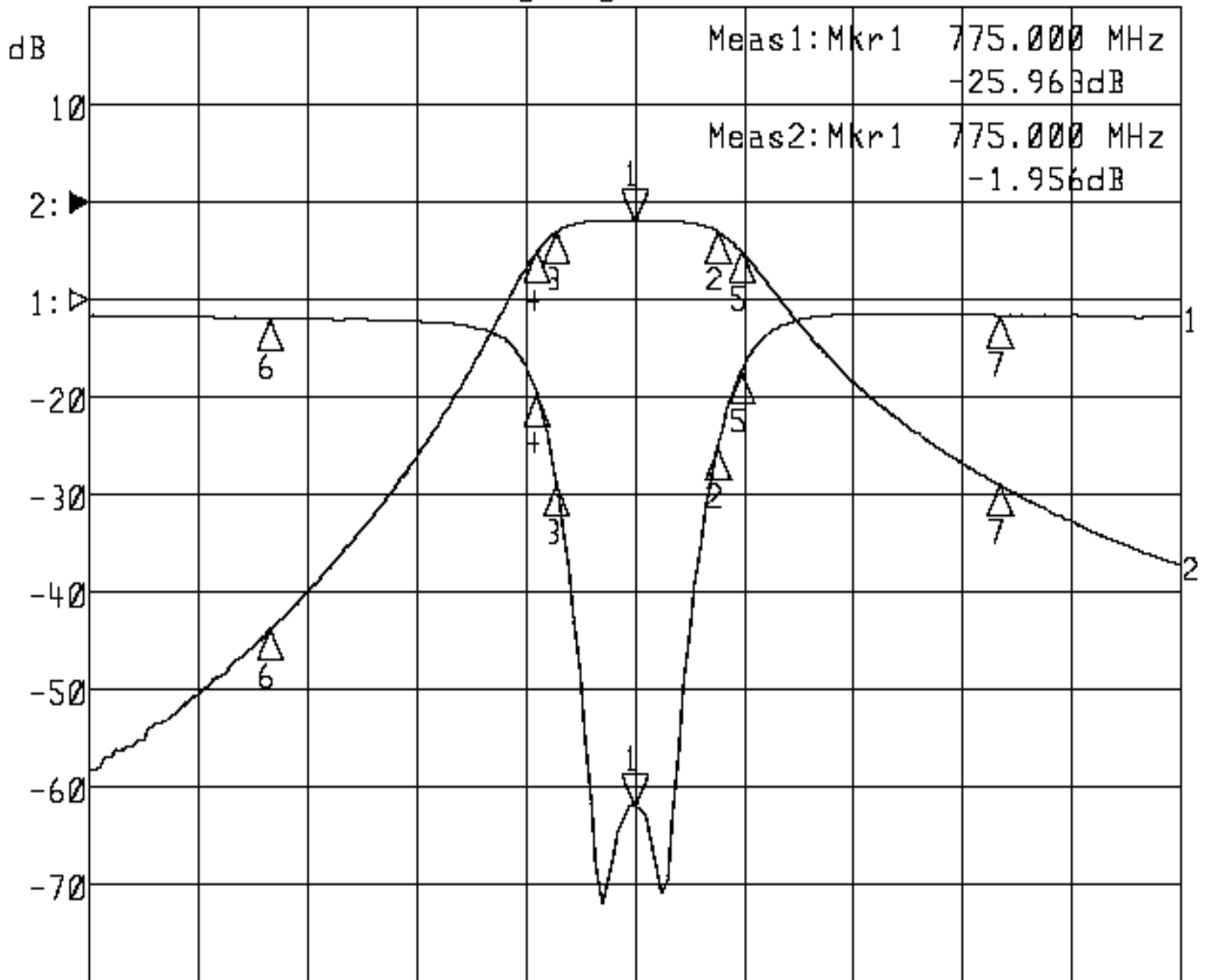
Approval	Supervisor	Designer	Aperture size
C.Y.Chang	C.S.Chang	C.S.Chang	7H3S(4*6.5) 7H046LB5

TEMWELL CORPORATION

Performance-TTL67537A-775M

20208023DC

▷1:S11 Refl Port1 Log Mag 5.0 dB/ Ref 0.00 dB C
▶2:S21 Fwd Trans Log Mag 10.0 dB/ Ref 0.00 dB C



Center 775.000 MHz

Span 300.000 MHz

1:Mkr (MHz)	dB	2:Mkr (MHz)	dB
1> 775.0000	-25.963	1> 775.0000	-1.956
2: 797.6000	-7.679	2: 797.6000	-2.947
3: 753.7000	-9.492	3: 753.7000	-2.953
4: 748.3000	-4.893	4: 748.3000	-4.989
5: 804.1000	-3.726	5: 804.1000	-4.969
6: 675.0000	-0.964	6: 675.0000	-43.801
7: 875.0000	-0.820	7: 875.0000	-29.018