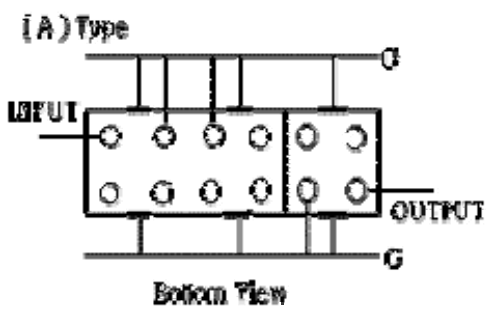
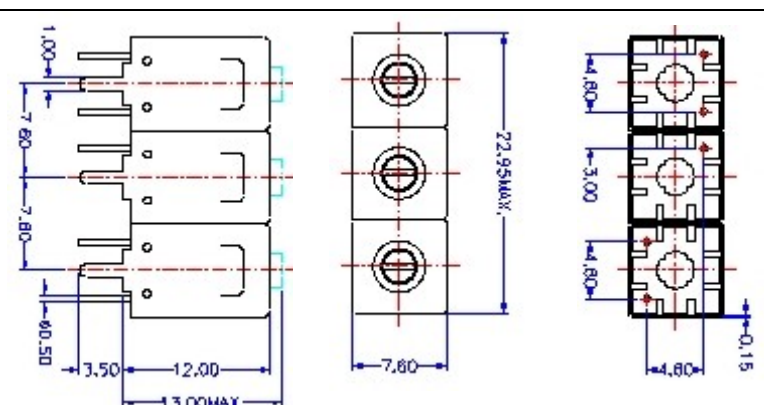


# VHF UHF Helical Filter Specification Sheet

Customer Name		Temwell's Part No.	TTL67536A-740M
Approval No. /dated	20208022DC	Acceptable Specify Fo. Range	701~750MHz
Work Instruction No.	20208022DC	Date	Aug. 19, 2002

<p>(1) Pin Position</p>  <p style="text-align: center;">(A) Type Bottom View</p>	<p>(2) Size Diagram</p> 
---	--

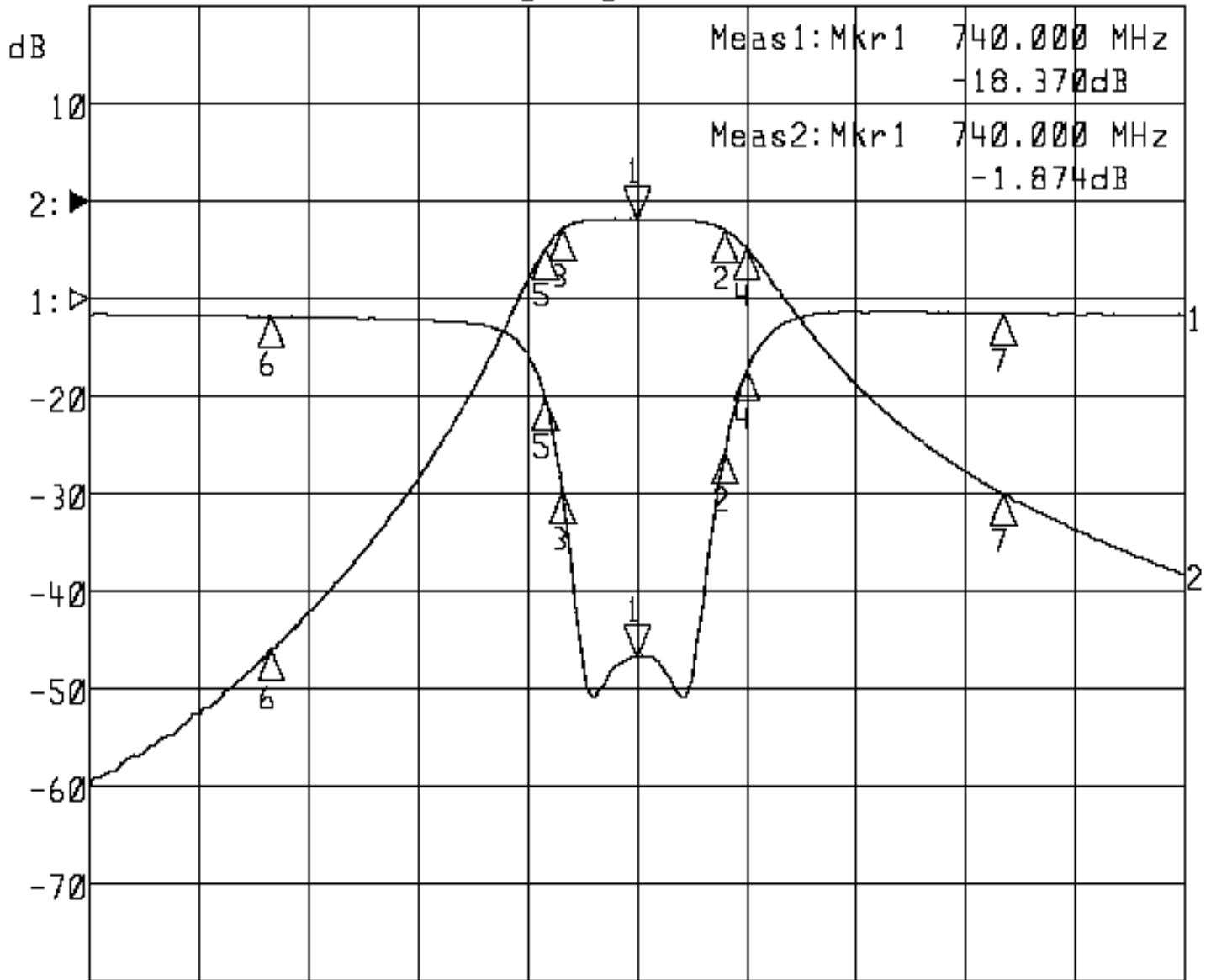
(3) Electric Character			
Item		Specify	Performance
Center Freq.(Fo) +/- 0.5 %		740 MHz	740 MHz
Tunable Range		740±3 MHz	740±3 MHz
Insertion Loss		Typ. 3.0 dB	1.8 dB
-1 dB Bandwidth		Typ. 38 MHz	45 MHz
-3 dB Bandwidth		Typ. 40 MHz	55 MHz
Sensitivity (Attenuation)	Fo - 100 MHz	Typ. 42 dBc	44 dBc
	Fo + 100 MHz	Typ. 26 dBc	28 dBc
	Fo - ( )MHz	Typ. dBc	dBc
	Fo + ( )MHz	Typ. dBc	dBc
Return Loss		Min. 12 dB	dB
Ripple		< 1 dB	dB
Impedance		In / Out : 75 Ω	In / Out : 75 Ω
(4) Torque for Tuning Screw		> 60gf · cm	
(5) Temperature Condition:			
Operating Temperature		0°C ~ +60°C	
Storage Temperature		-20°C ~ +70°C	
(6) Input Power		> 1Watt	
Approval	Supervisor	Designer	Aperture size
C. Y. Chang	C. S. Chang	C. S. Chang	7H3S(4*6.5) 7H046LB5

TEMWELL CORPORATION

# Performance-TTL67536A-740M

## 20208022DC

▶1:S11 Refl Port1    Log Mag    5.0 dB/ Ref    0.00 dB    C  
▶2:S21 Fwd Trans    Log Mag    10.0 dB/ Ref    0.00 dB    C



Meas1:Mkr1    740.000 MHz  
-18.370 dB  
Meas2:Mkr1    740.000 MHz  
-1.874 dB

Center 740.000 MHz

Span 300.000 MHz

1:Mkr (MHz)    dB			2:Mkr (MHz)    dB		
1>	740.0000	-18.370	1>	740.0000	-1.874
2:	764.1000	-7.879	2:	764.1000	-2.900
3:	719.7000	-9.900	3:	719.7000	-2.831
4:	770.2000	-3.633	4:	770.2000	-4.833
5:	715.1000	-5.163	5:	715.1000	-4.759
6:	640.0000	-0.936	6:	640.0000	-46.064
7:	840.0000	-0.737	7:	840.0000	-29.951