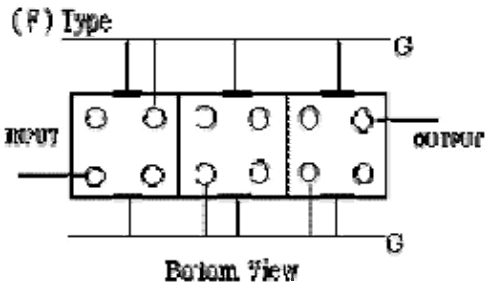
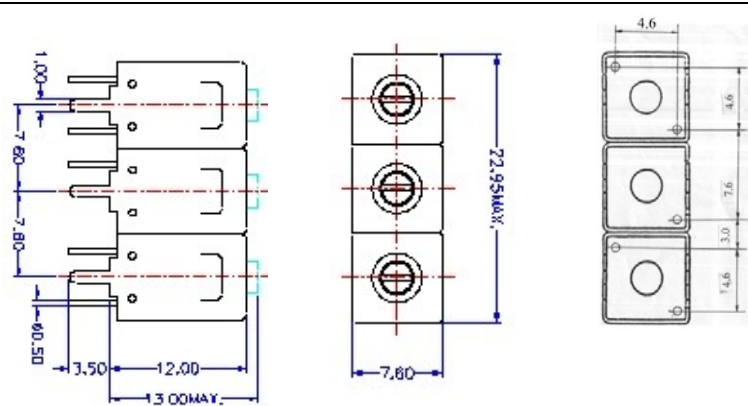


VHF UHF Helical Filter Specification Sheet

Customer Name		Temwell's Part No.	TTL67534F-670M
Approval No. /dated	20208020DC	Acceptable Specify Fo. Range	661~700MHz
Work Instruction No.	20208020DC	Date	Aug. 19, 2002

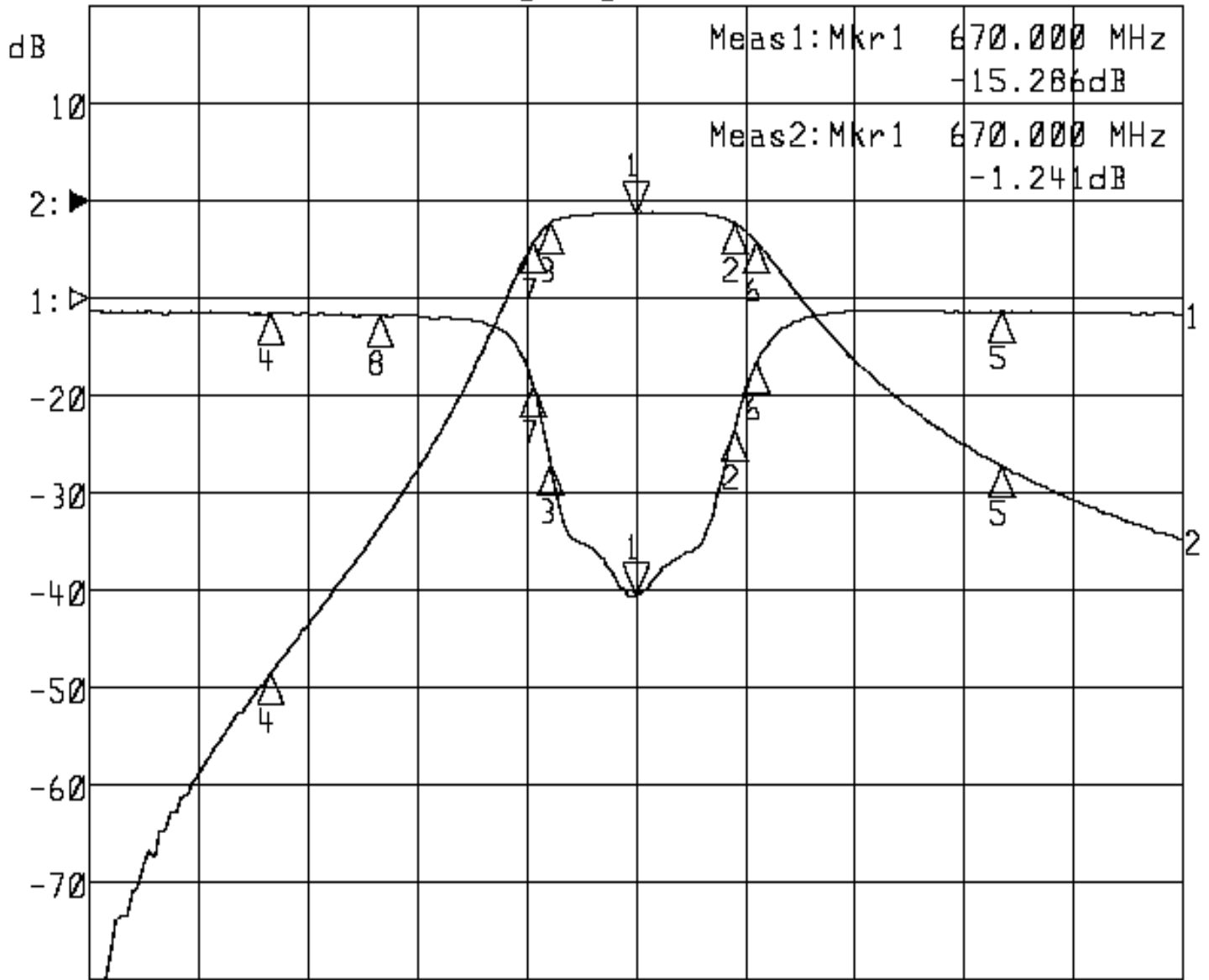
<p>(1) Pin Position</p>  <p style="text-align: center;">Bottom View</p>	<p>(2) Size Diagram</p> 
--	--

(3) Electric Character			
Item		Specify	Performance
Center Freq.(Fo) +/- 0.5 %		670 MHz	670 MHz
Tunable Range		670±3 MHz	670±3 MHz
Insertion Loss		Typ. 3.0 dB	1.2 dB
-1 dB Bandwidth		Typ. 45 MHz	51 MHz
-3 dB Bandwidth		Typ. 50 MHz	60 MHz
Sensitivity (Attenuation)	Fo - 100 MHz	Typ. 45 dBc	47 dBc
	Fo + 100 MHz	Typ. 24 dBc	26 dBc
	Fo - ()MHz	Typ. dBc	dBc
	Fo +()MHz	Typ. dBc	dBc
Return Loss		Min. 12 dB	15 dB
Ripple		< 1 dB	dB
Impedance		In / Out : 75 Ω	In / Out : 75 Ω
(4) Torque for Tuning Screw		> 60gf · cm	
(5) Temperature Condition:			
Operating Temperature		0°C ~ +60°C	
Storage Temperature		-20°C ~ +70°C	
(6) Input Power		> 1Watt	
Approval	Supervisor	Designer	Aperture size
C.Y.Chang	C.S.Chang	C.S.Chang	7H3S(4*6.5)F 7H046LB5
TEMWELL CORPORATION			

Performance-TTL67534F-670M

20208020DC

▶1:S11 Refl Port1 Log Mag 5.0 dB/ Ref 0.00 dB C
 ▶2:S12 Rev Trans Log Mag 10.0 dB/ Ref 0.00 dB C



Center 670.000 MHz

Span 300.000 MHz

1: Mkr (MHz)	dB	2: Mkr (MHz)	dB
1> 670.0000	-15.286	1> 670.0000	-1.241
2: 697.0000	-6.731	2: 697.0000	-2.242
3: 646.6333	-8.474	3: 646.6333	-2.234
4: 570.0000	-0.774	4: 570.0000	-48.473
5: 770.0000	-0.681	5: 770.0000	-27.138
6: 703.2000	-3.282	6: 703.2000	-4.257
7: 641.9667	-4.460	7: 641.9667	-4.243
8: 600.0000	-0.866		