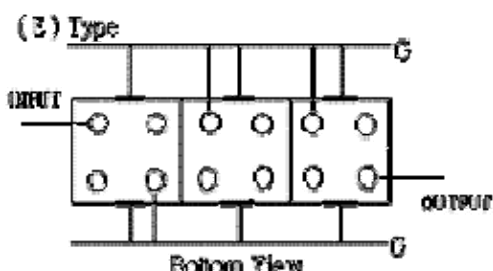
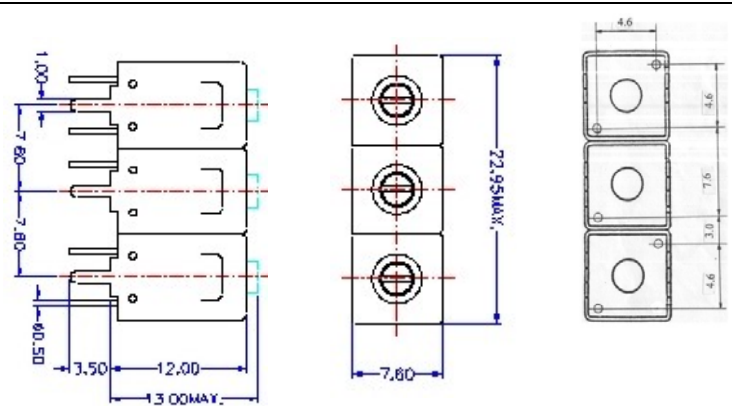


# VHF UHF Helical Filter Specification Sheet

Customer Name		Temwell's Part No.	TTL67534E-670M
Approval No. /dated	20210056B	Acceptable Specify Fo. Range	661~700MHz
Work Instruction No.	20210056B	Date	Oct. 22, 2002

<p>(1) Pin Position</p>  <p>(3) Type</p> <p>Bottom View</p>	<p>(2) Size Diagram</p> 
--	--

(3) Electric Character

Item	Specify	Performance	
Center Freq.(Fo) +/- 0.5 %	670 MHz	670 MHz	
Tunable Range	670±3 MHz	670±3 MHz	
Insertion Loss	Typ. 2.0 dB	1.1 dB	
-1 dB Bandwidth	Typ. 46 MHz	52 MHz	
-3 dB Bandwidth	Typ. 50 MHz	60 MHz	
Sensitivity (Attenuation)	Fo - 100 MHz	Typ. 33 dBc	35 dBc
	Fo + 100 MHz	Typ. 24 dBc	31 dBc
	Fo - ( )MHz	Typ. dBc	dBc
	Fo +( )MHz	Typ. dBc	dBc
Return Loss	Min. 12 dB	24 dB	
Ripple	< 1 dB	dB	
Impedance	In / Out : 75 Ω	In / Out : 75 Ω	
(4) Torque for Tuning Screw	> 60gf · cm		

(5) Temperature Condition:

Operating Temperature	0°C ~ +60°C
Storage Temperature	-20°C ~ +70°C

(6) Input Power

	> 1Watt
--	---------

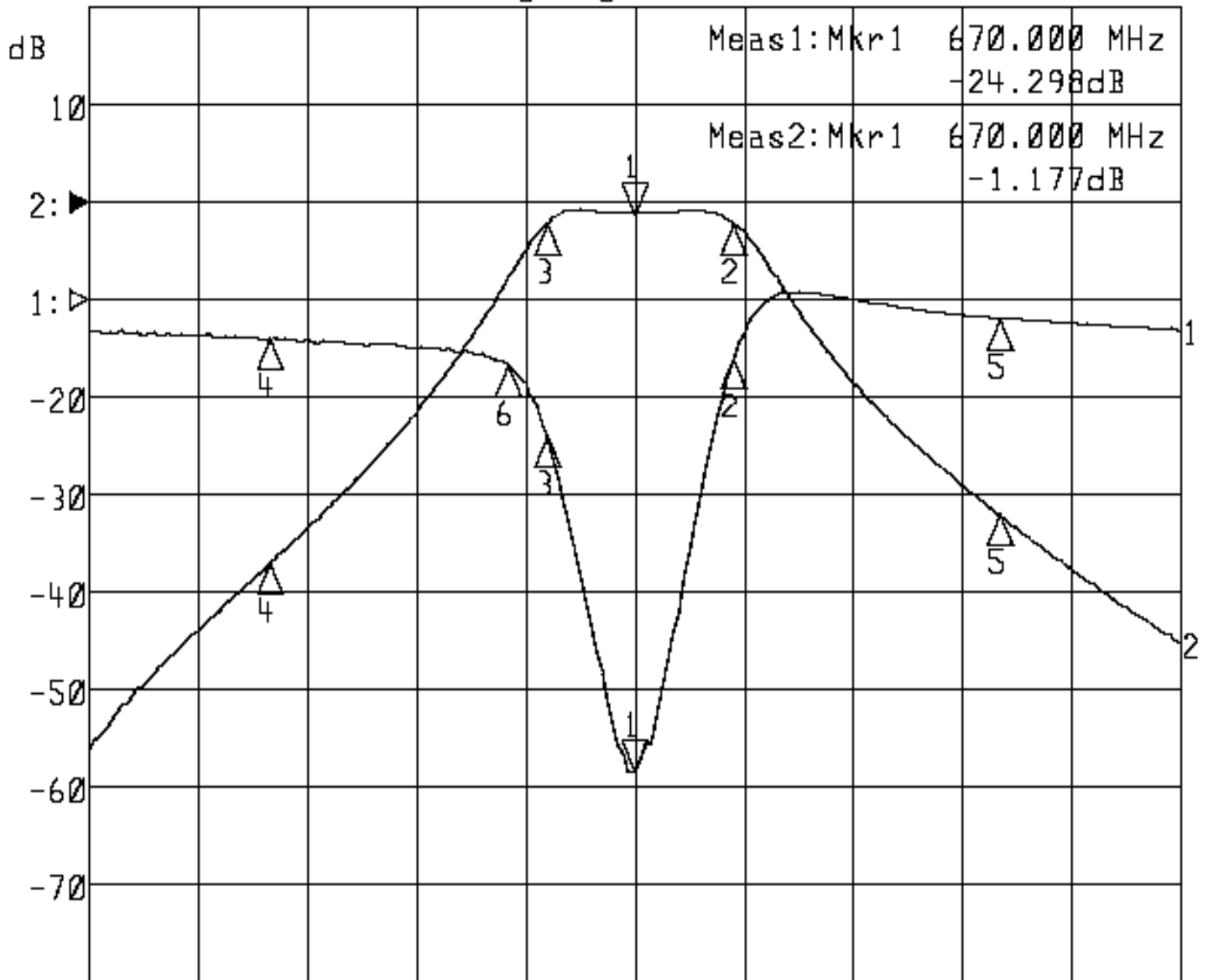
Approval	Supervisor	Designer	Aperture size
C.Y.Chang	C.S.Chang	C.S.Chang	7H3.4*7.5 7H046LB5

TEMWELL CORPORATION

# Performance-TTL67534E-670M

## 20210056B

▶1:S11 Refl Port1 Log Mag 5.0 dB/ Ref 0.00 dB C  
▶2:S21 Fwd Trans Log Mag 10.0 dB/ Ref 0.00 dB C



Center 670.000 MHz

Span 300.000 MHz

1:Mkr (MHz)	dB	2:Mkr (MHz)	dB
1> 670.0000	-24.298	1> 670.0000	-1.177
2: 697.2000	-3.022	2: 697.2000	-2.157
3: 645.8000	-6.965	3: 645.8000	-2.151
4: 570.0000	-2.039	4: 570.0000	-36.972
5: 770.0000	-0.955	5: 770.0000	-32.068
6: 635.0000	-3.316		