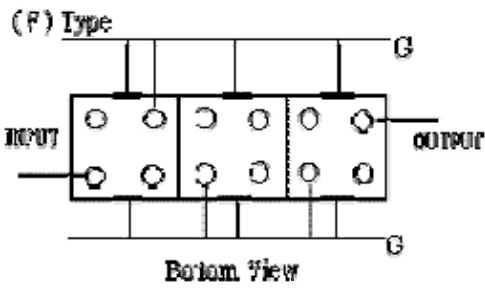
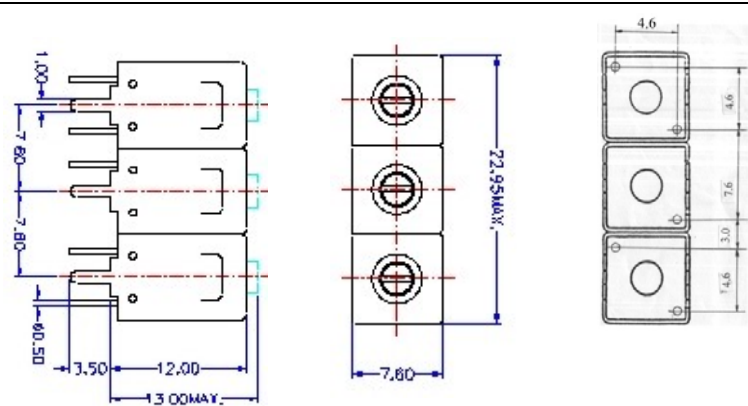


VHF UHF Helical Filter Specification Sheet

Customer Name		Temwell's Part No.	TTL67532F-600M
Approval No. /dated	20208018DC	Acceptable Specify Fo. Range	596~640MHz
Work Instruction No.	20208018DC	Date	Aug. 16, 2002

<p>(1) Pin Position</p>  <p style="text-align: center;">Bottom View</p>	<p>(2) Size Diagram</p> 
--	--

(3) Electric Character

Item	Specify	Performance
Center Freq.(Fo) +/- 0.5 %	600 MHz	600 MHz
Tunable Range	600±3 MHz	600±3 MHz
Insertion Loss	Typ. 2.5 dB	1.3 dB
-1 dB Bandwidth	Typ. 40 MHz	46 MHz
-3 dB Bandwidth	Typ. 45 MHz	55 MHz
Sensitivity (Attenuation)	Fo - 70 MHz	Typ. 35 dBc
	Fo + 70 MHz	Typ. 20 dBc
	Fo - ()MHz	Typ. dBc
	Fo +()MHz	Typ. dBc
Return Loss	Min. 12 dB	26 dB
Ripple	< 1 dB	dB
Impedance	In / Out : 75 Ω	In / Out : 75 Ω
(4) Torque for Tuning Screw	> 60gf · cm	

(5) Temperature Condition:

Operating Temperature	0°C ~ +60°C
Storage Temperature	-20°C ~ +70°C

(6) Input Power

	> 1Watt
--	---------

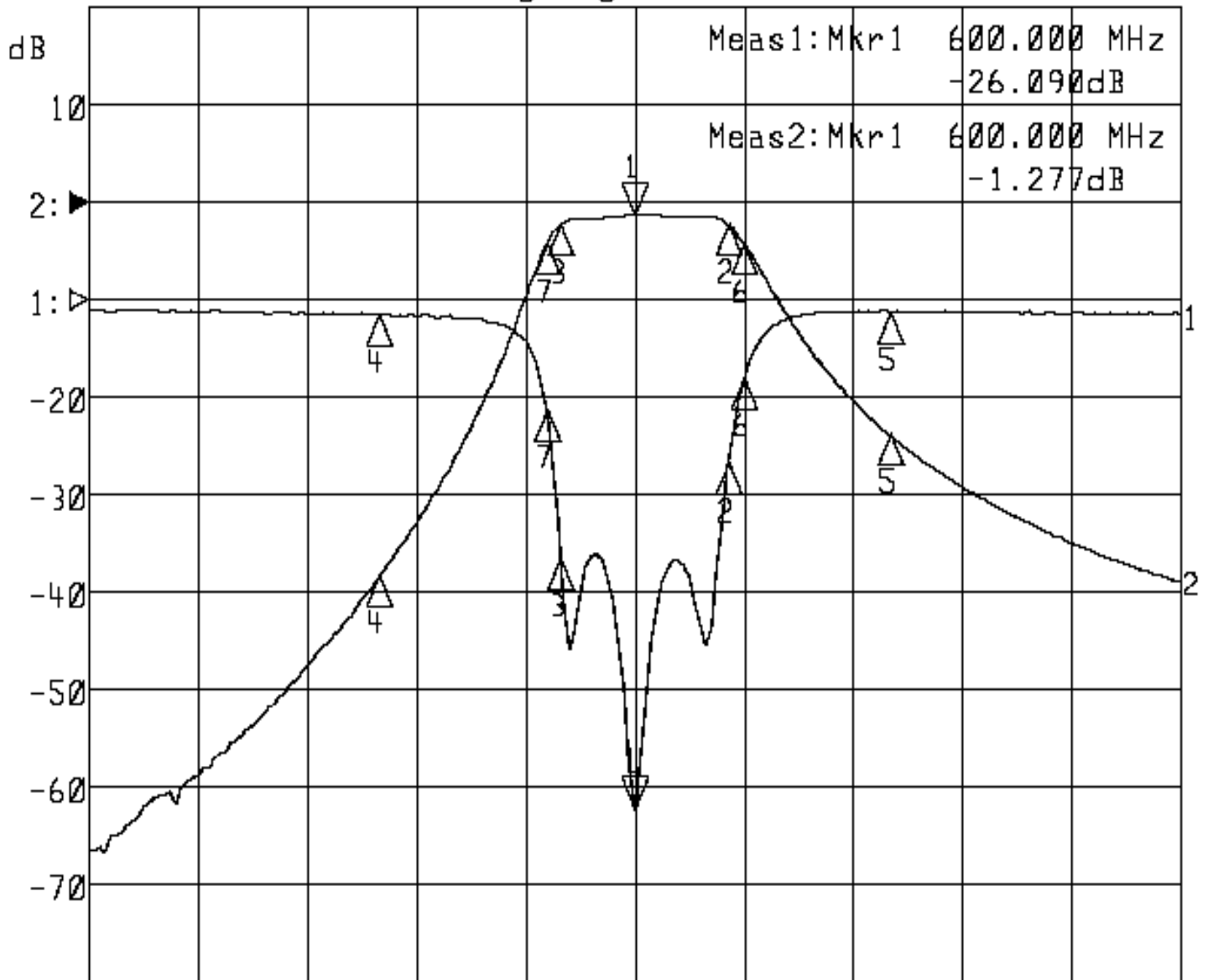
Approval	Supervisor	Designer	Aperture size
C.Y.Chang	C.S.Chang	C.S.Chang	7H3,4*6.5 7H046LB5

TEMWELL CORPORATION

Performance-TTL67532F-600M

20208018DC

▶1:S11 Refl Port1 Log Mag 5.0 dB/ Ref 0.00 dB C
▶2:S12 Rev Trans Log Mag 10.0 dB/ Ref 0.00 dB C



Center 600.000 MHz

Span 300.000 MHz

1:Mkr (MHz)	dB	2:Mkr (MHz)	dB
1> 600.0000	-26.090	1> 600.0000	-1.277
2: 625.7000	-8.372	2: 625.7000	-2.291
3: 579.7333	-13.237	3: 579.7333	-2.253
4: 530.0000	-0.750	4: 530.0000	-38.341
5: 670.0000	-0.616	5: 670.0000	-23.833
6: 630.1000	-3.942	6: 630.1000	-4.205
7: 575.8000	-5.668	7: 575.8000	-4.276